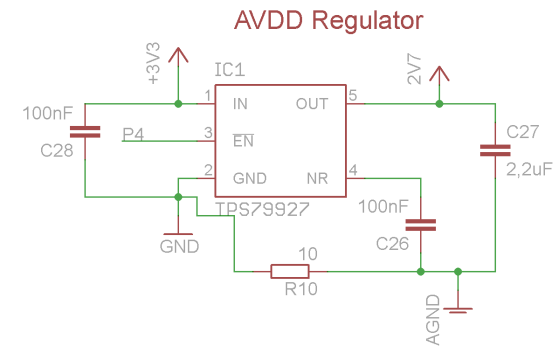
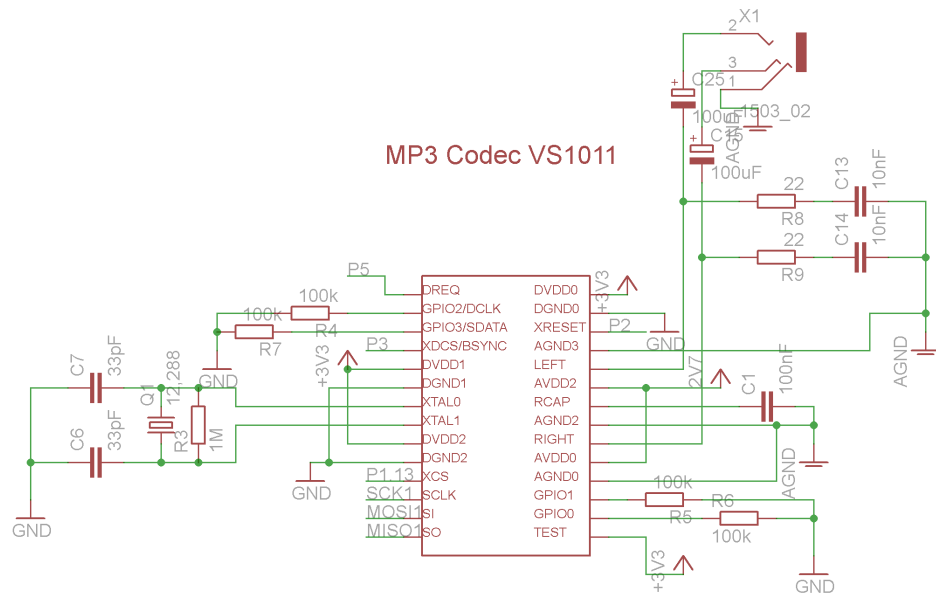


©Alexander Schrode

<h1>LCD</h1>	
TITLE: LPC2478 Addon	
Document Number:	REV: 1.0
Date: 28.01.2010 19:41:01	Sheet: 1/3



© Alexander Schrode

MP3 Codec

TITLE: **LPC2478 Addon**

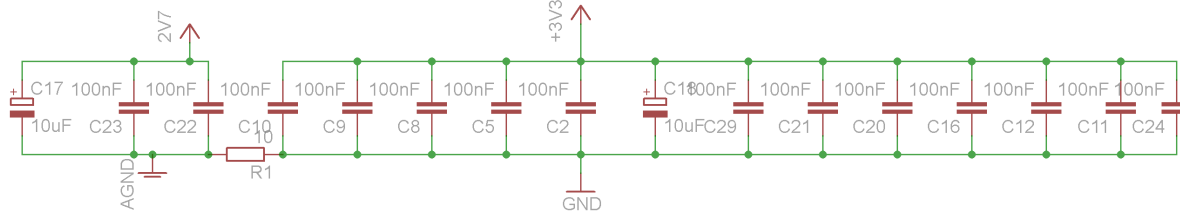
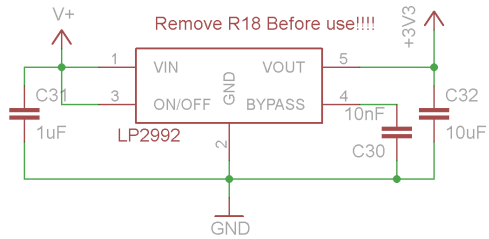
Document Number:

REV:
1.0

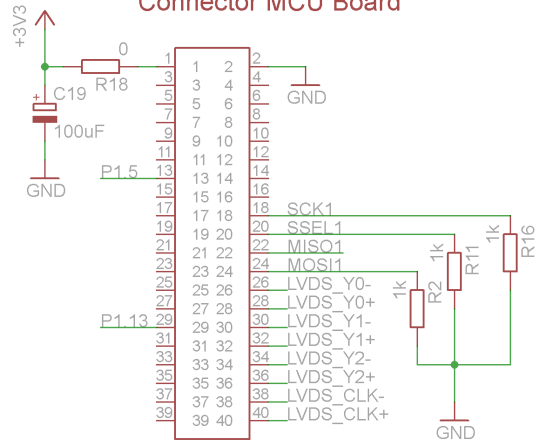
Date: 28.01.2010 19:41:01

Sheet: **2/3**

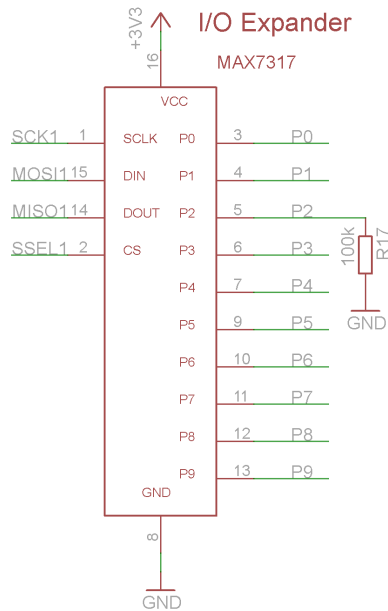
Backup Regulator



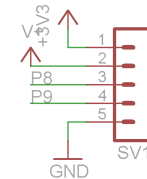
Connector MCU Board



I/O Expander



Extension Connector



©Alexander Schrode

Miscellaneous

TITLE: **LPC2478 Addon**

Document Number:

REV:
1.0

Date: 28.01.2010 19:41:01

Sheet: **3/3**