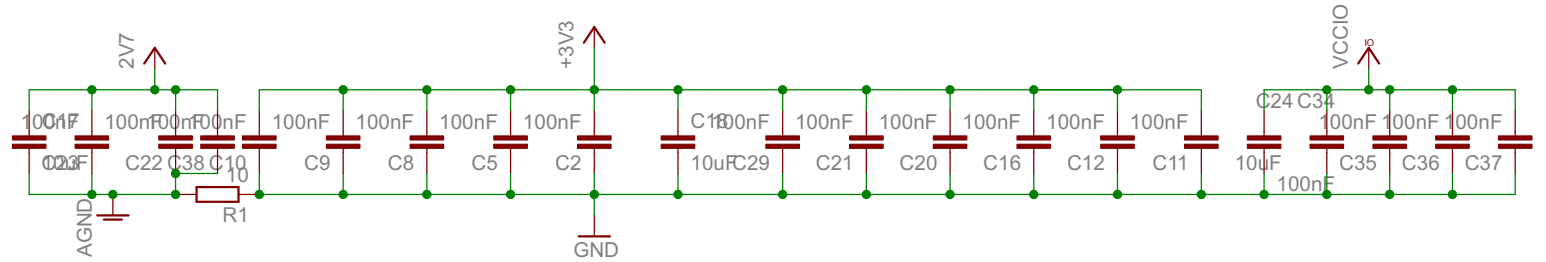
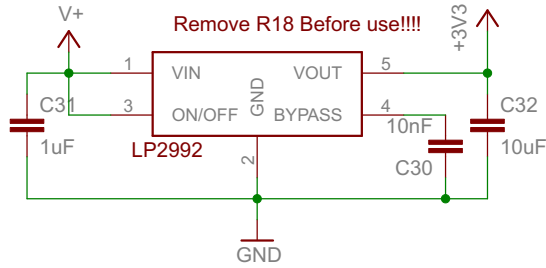
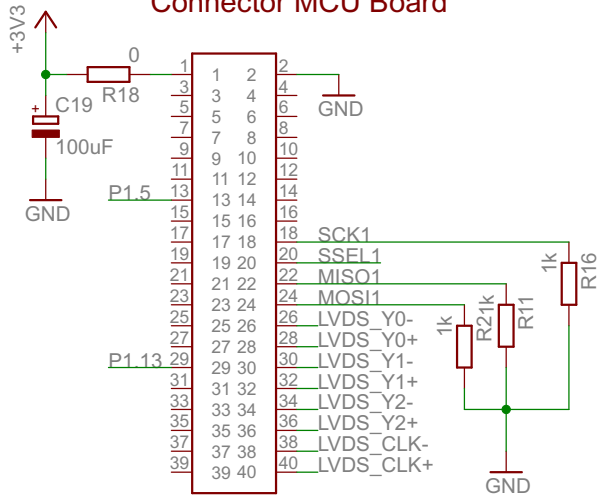


Backup Regulator

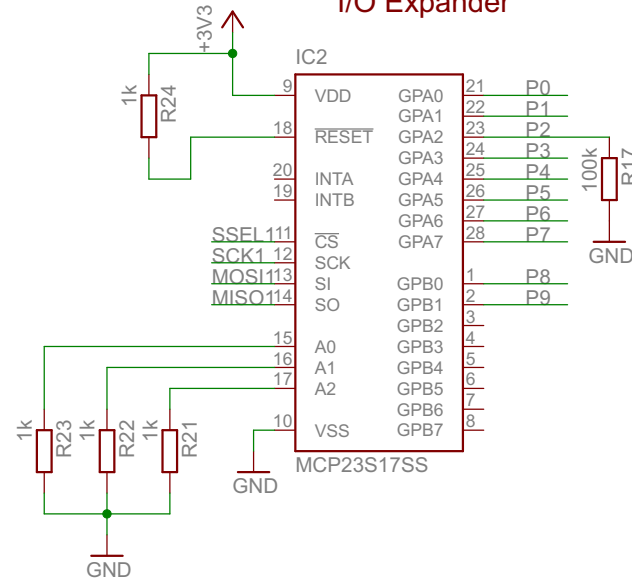
Remove R18 Before use!!!!



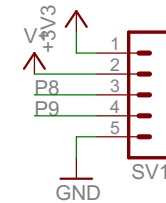
Connector MCU Board



I/O Expander



Extension Connector



Miscellaneous

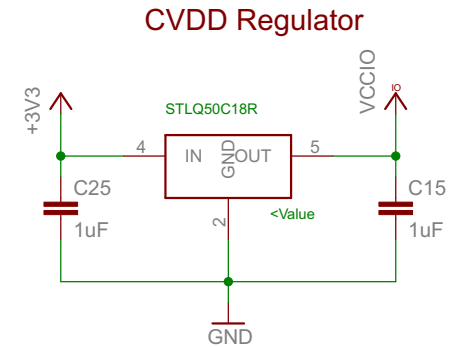
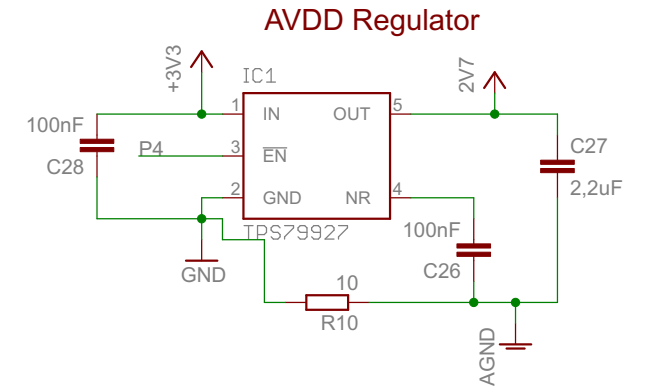
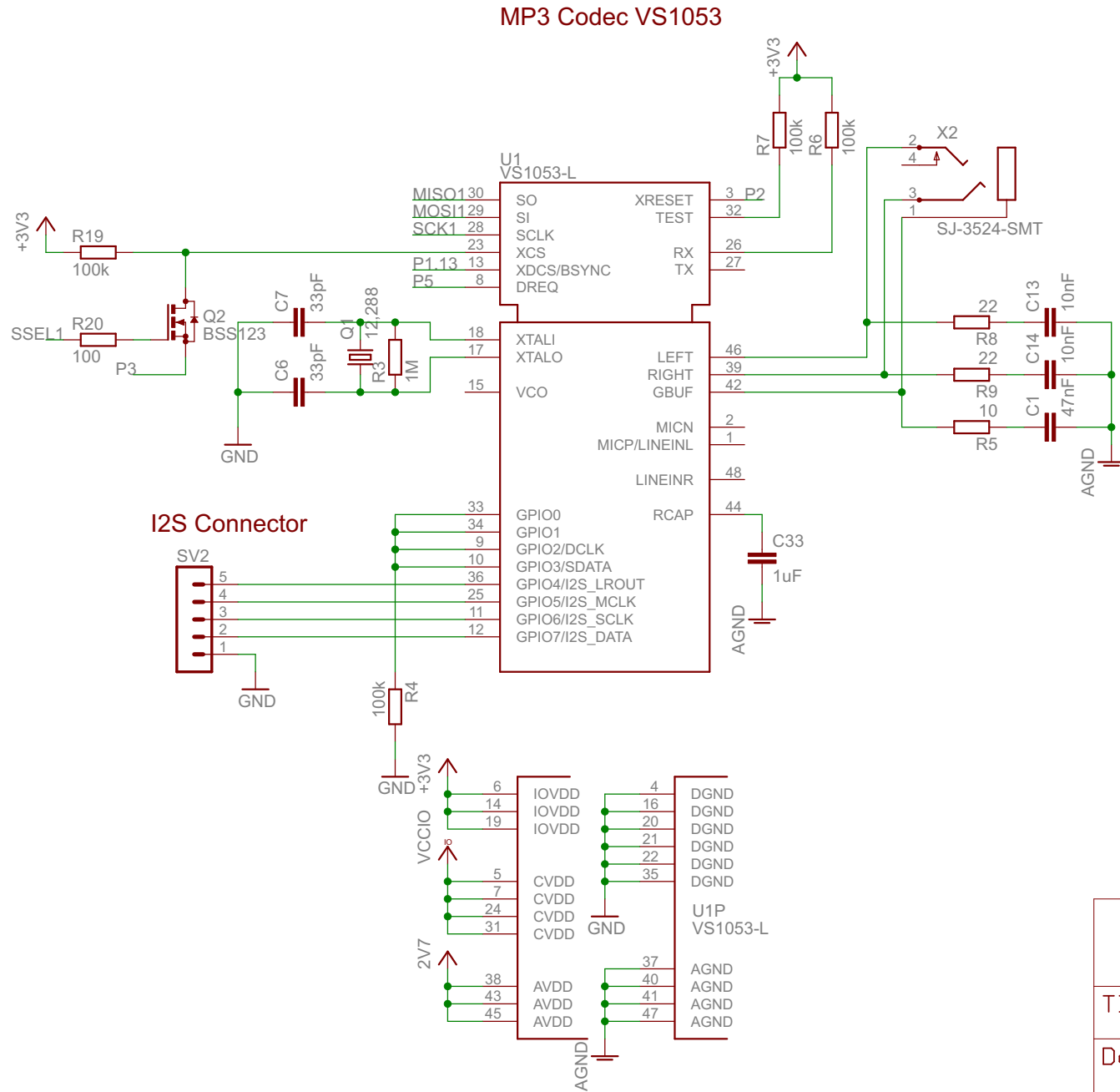
TITLE: LPC2478 lcd

Document Number: 3

REV:
1.0

Date: 30.01.2010 15:56:31

Sheet: 1/1



MP3 Codec

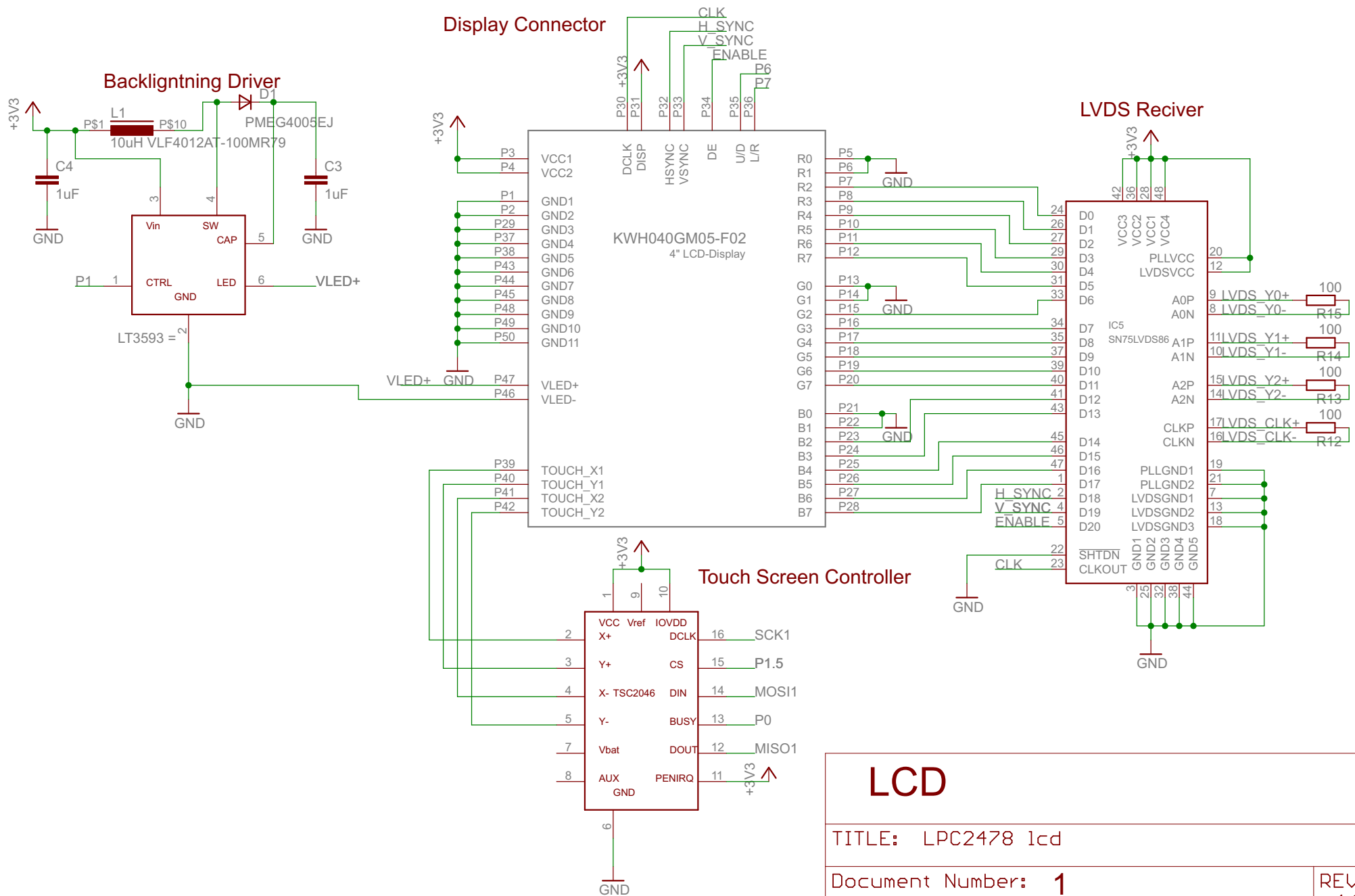
TITLE: LPC2478 lcd

Document Number: 2

REV:
1.0

Date: 30.01.2010 15:56:31

Sheet: 1/1



LCD

TITLE: LPC2478 lcd

Document Number: 1

REV:
1.0

Date: 30.01.2010 15:56:31

Sheet: 1/1