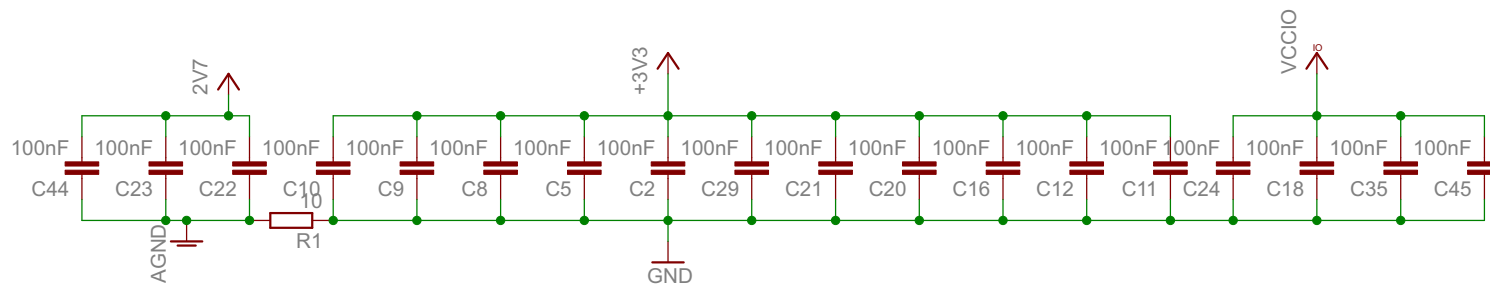
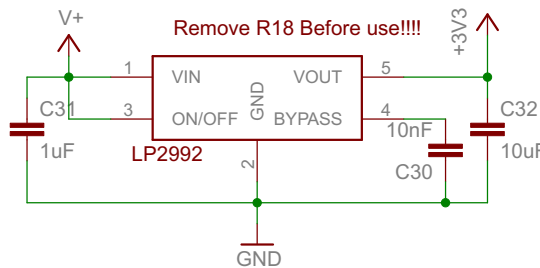
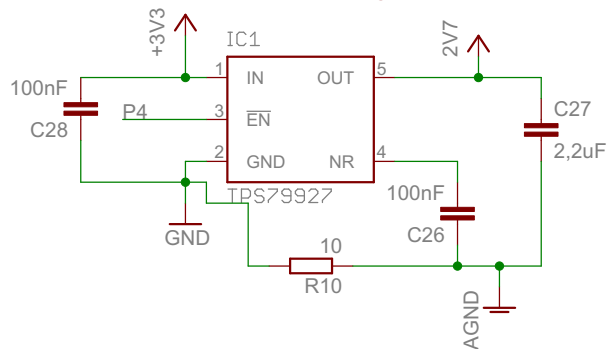


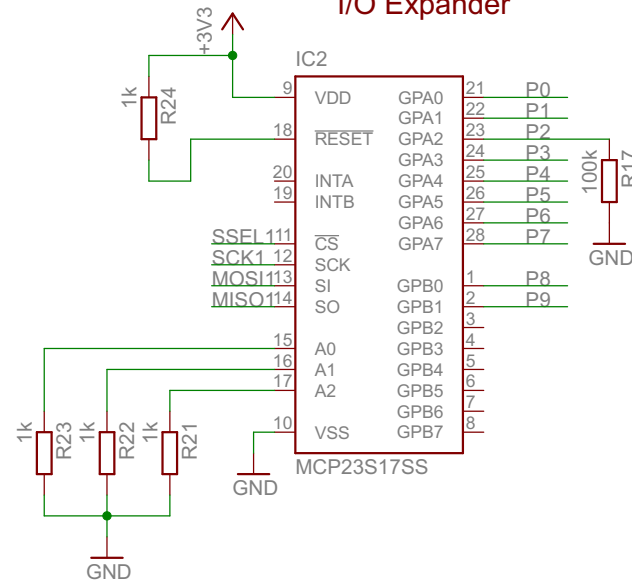
### Backup Regulator



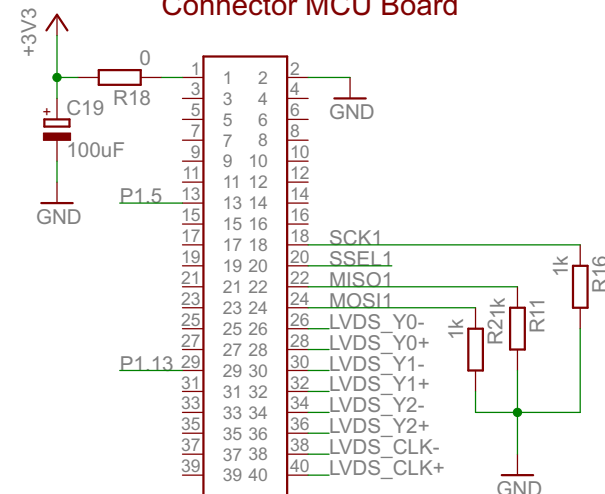
### AVDD Regulator



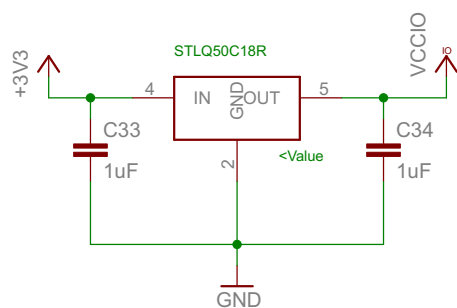
### I/O Expander



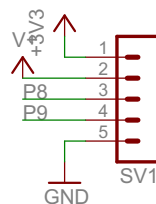
### Connector MCU Board



### CVDD Regulator



### Extension Connector



## Miscellaneous

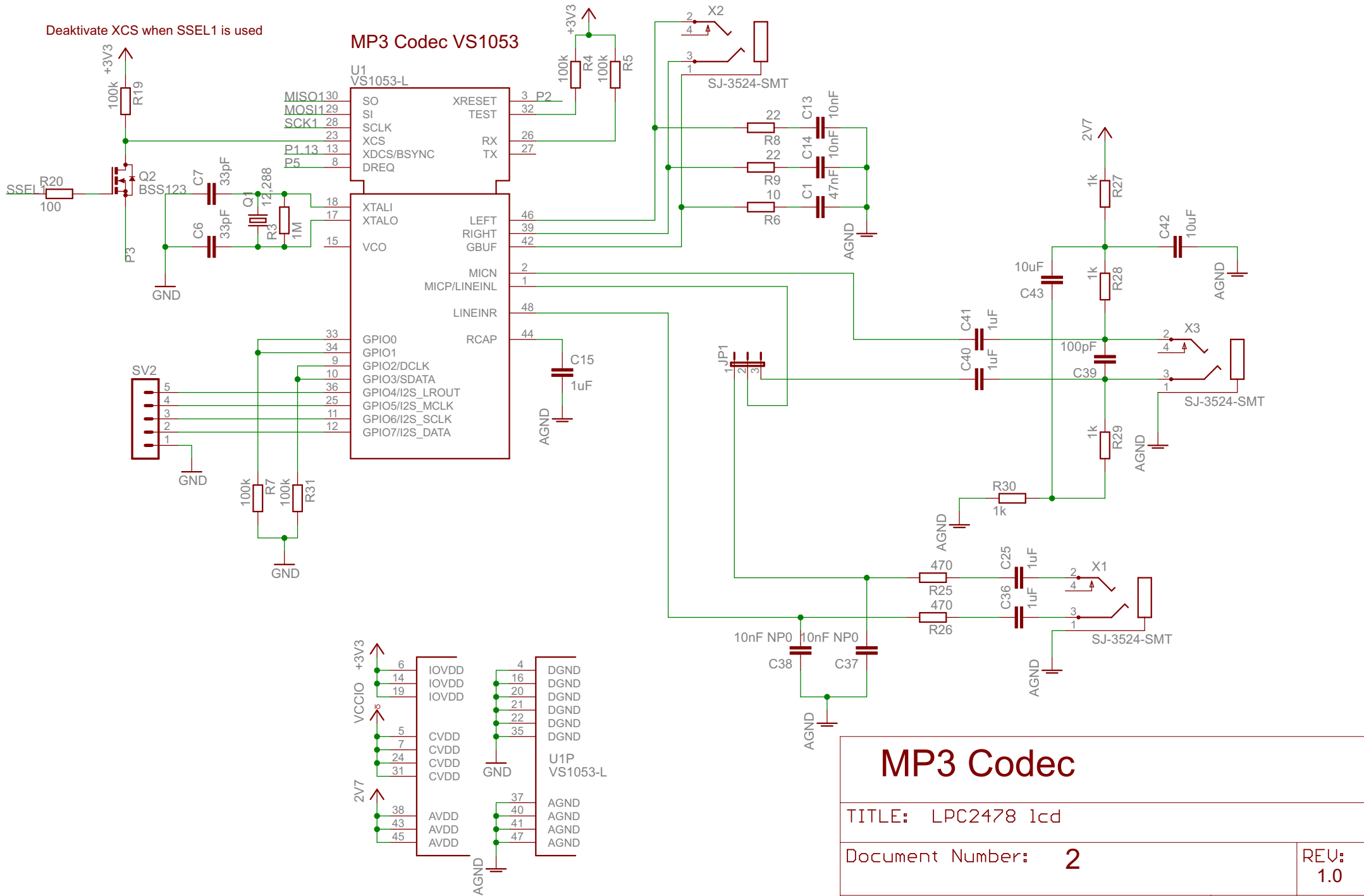
TITLE: LPC2478 lcd

Document Number: 3

REV: 1.0

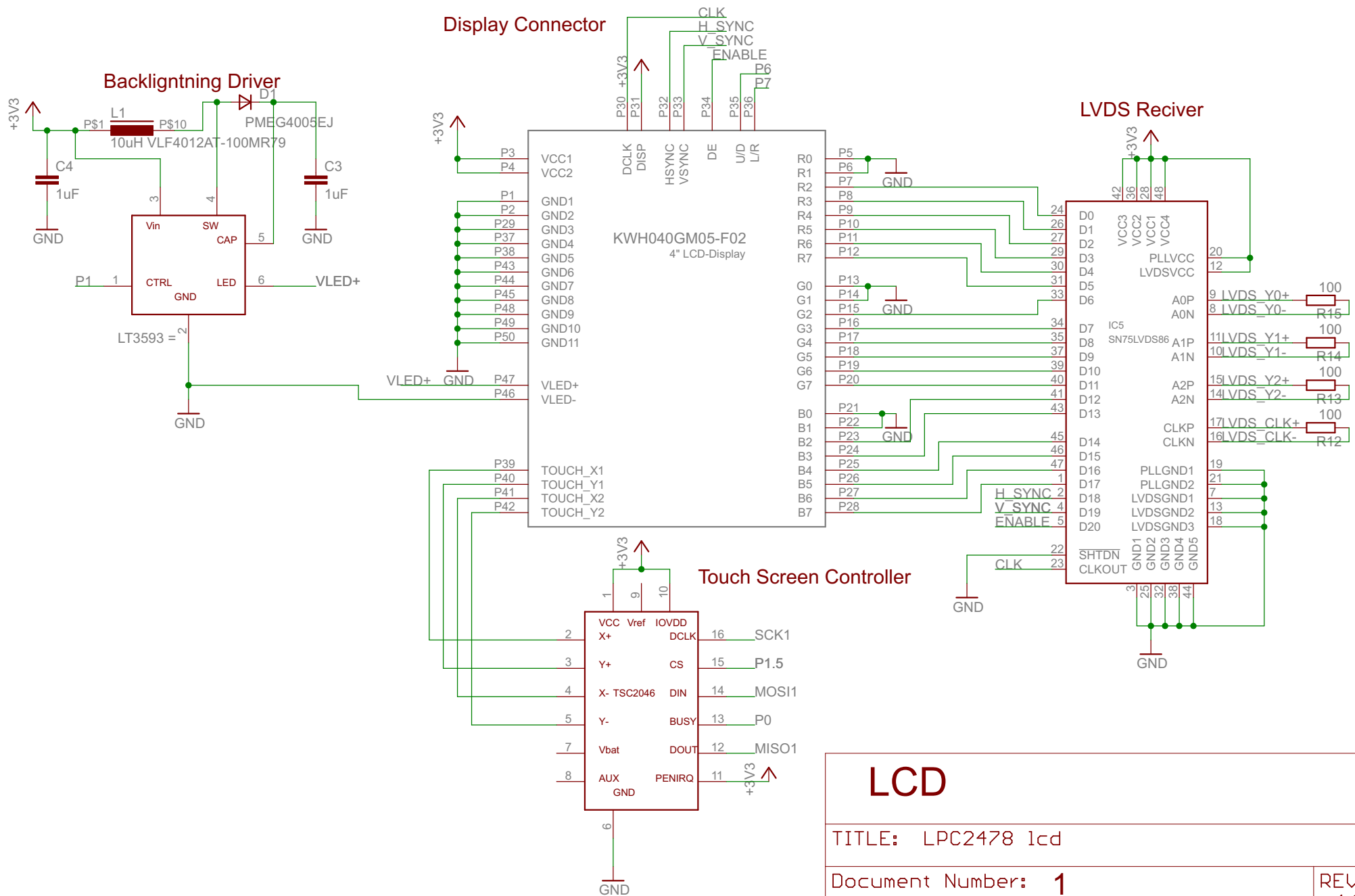
Date: 31.01.2010 17:54:10

Sheet: 1/1



# MP3 Codec

TITLE: LPC2478 lcd	
Document Number: 2	REV: 1.0
Date: 31.01.2010 17:54:10	Sheet: 1/1



# LCD

TITLE: LPC2478 lcd

Document Number: 1

REV:  
1.0

Date: 31.01.2010 17:54:10

Sheet: 1/1