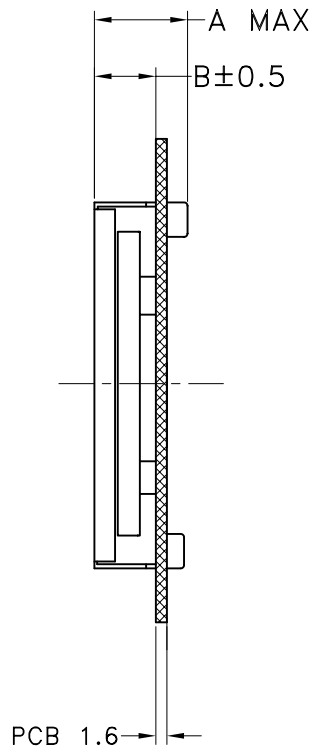
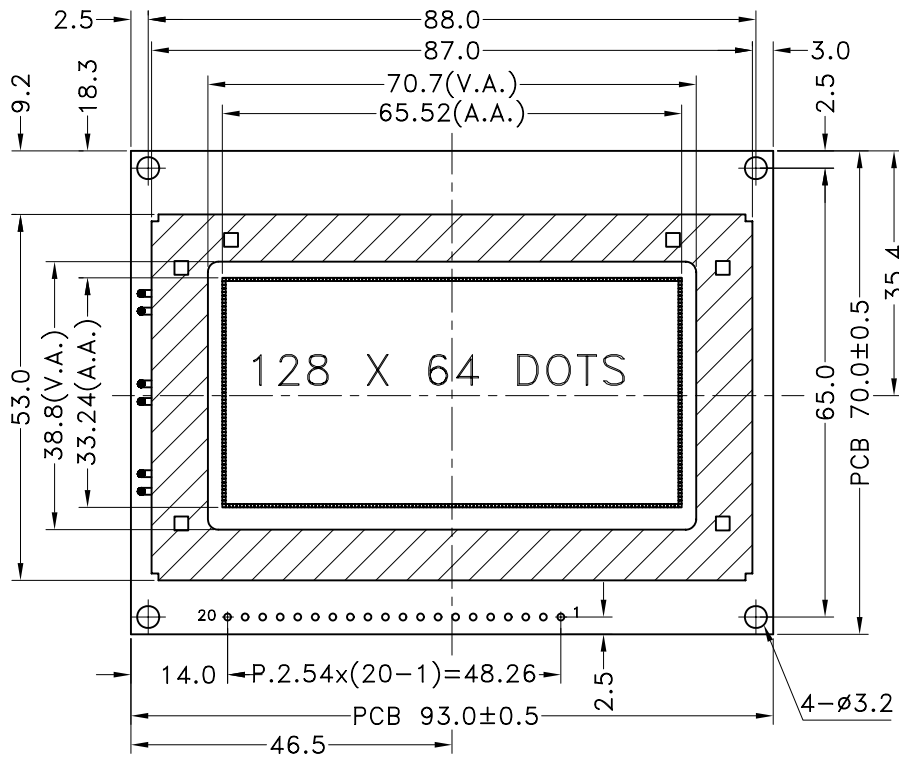
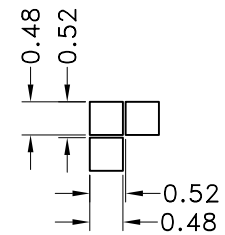


VERSION	CHANGE CONTENT	DATE
V00	FIRST ISSUE	2006-11-30
V01	修改视域中心	2007-07-13



TYPE	A	B
LED B/L	14.0	8.9



DOTS DETAIL  
SCALE: 10:1

PIN	1	2	3	4	5	6	7	8	9	10	11	12	13	14	15	16	17	18	19	20
NAME	GND	VDD	NC	RS	NC	NC	CLK	SID	RES	NC	NC	NC	NC	NC	/CS	NC	NC	NC	LED-	LED+

**SPECIFICATIONS**

- DISPLAY TYPE: STN/TRANSMISSIVE/POSITIVE/Y-G
- LCD DRIVING VOLTAGE: 10.0V
- LOGIC VOLTAGE: 5.0V
- VIEWING DIRECTION: 6 O'CLOCK
- OPERATING TEMP: -10° C~60° C
- STORAGE TEMP: -20° C~70° C
- DRIVE MODE: 1/65 DUTY, 1/9 BIAS
- BACKLIGHT: SIDE BACKLIGHT/5.0V
- CONTROL/DRIVE IC: NT7534H-BDT/D (COG)
- OTHER:
- MECHANICAL TOL.±0.3 UNLESS SPECIFIED

**NOTE:**

**DESCRIPTION:**

C/D

SCALE: FIT

SHEET: 1 OF 1

PROJECTION	MODEL	SERIAL NUMBER
UNIT: mm	TG12864R-01	MLX0025
APP:	CHK:	DWN:
DATE:	DATE:	DATE: