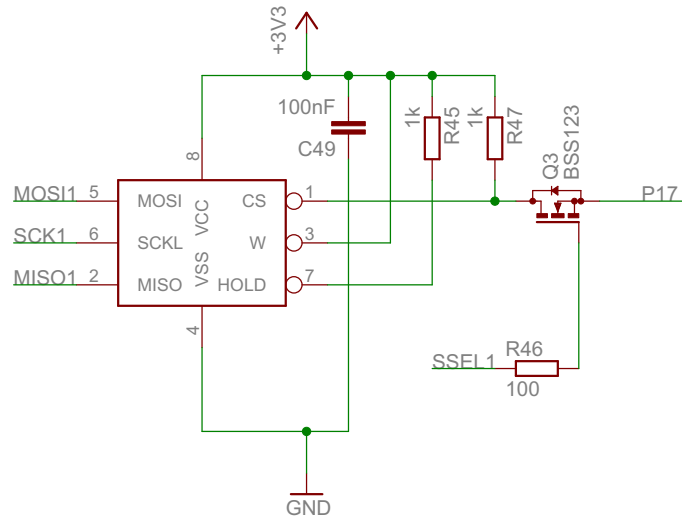
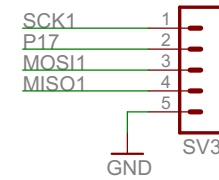


DataFlash



DataFlash Spi Programmierer Schnittstelle



TITLE: LPC2478 lcd

Document Number:

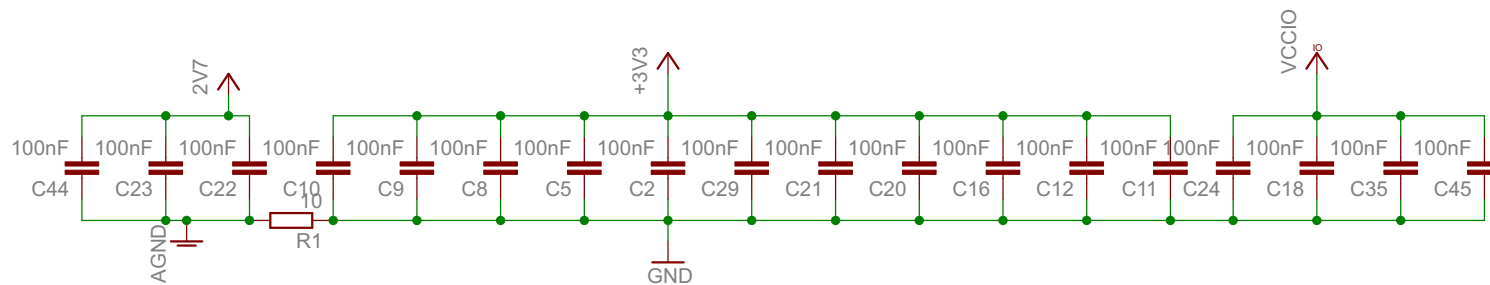
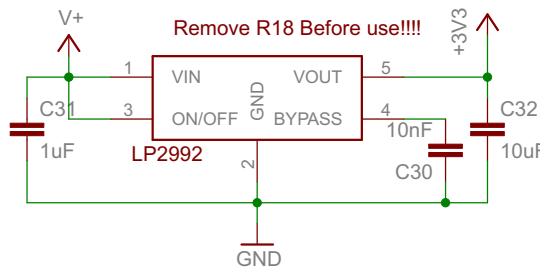
REV:

Date: 01.02.2010 20:58:53

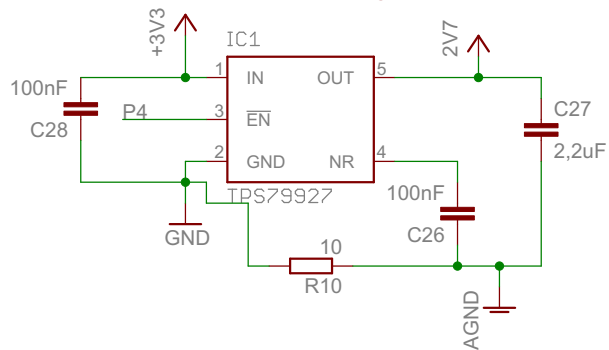
Sheet: 1/1

Backup Regulator

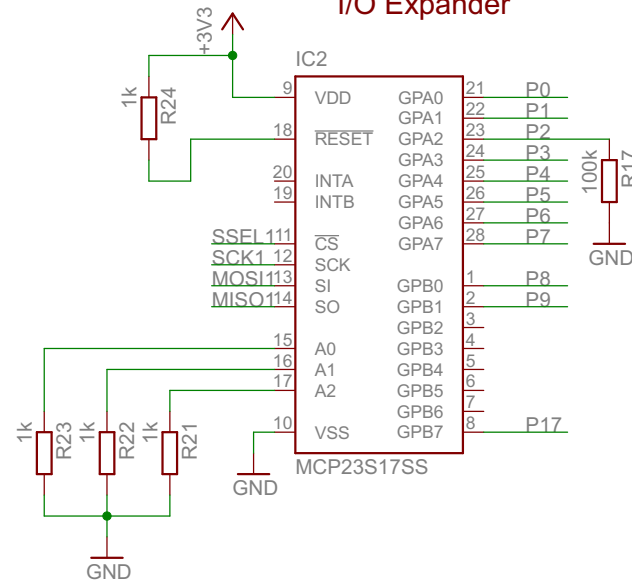
Remove R18 Before use!!!!



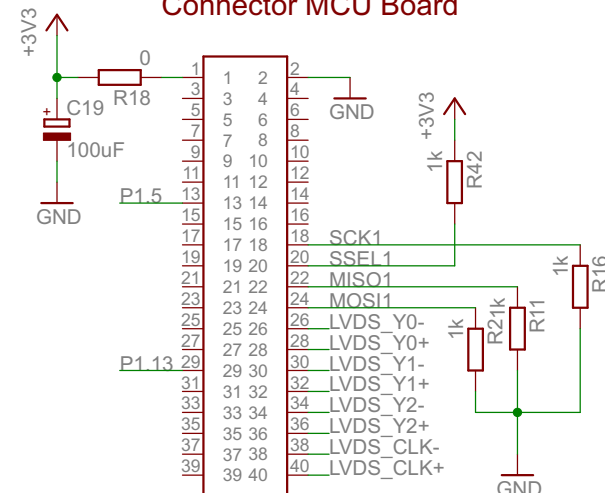
AVDD Regulator



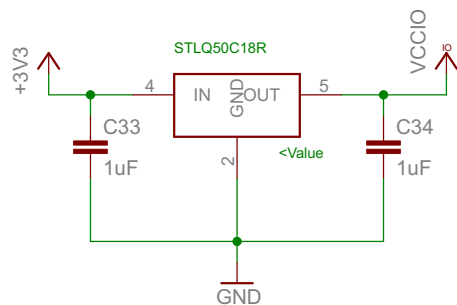
I/O Expander



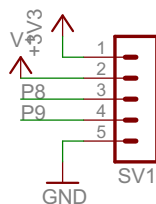
Connector MCU Board



CVDD Regulator



Extension Connector



Miscellaneous

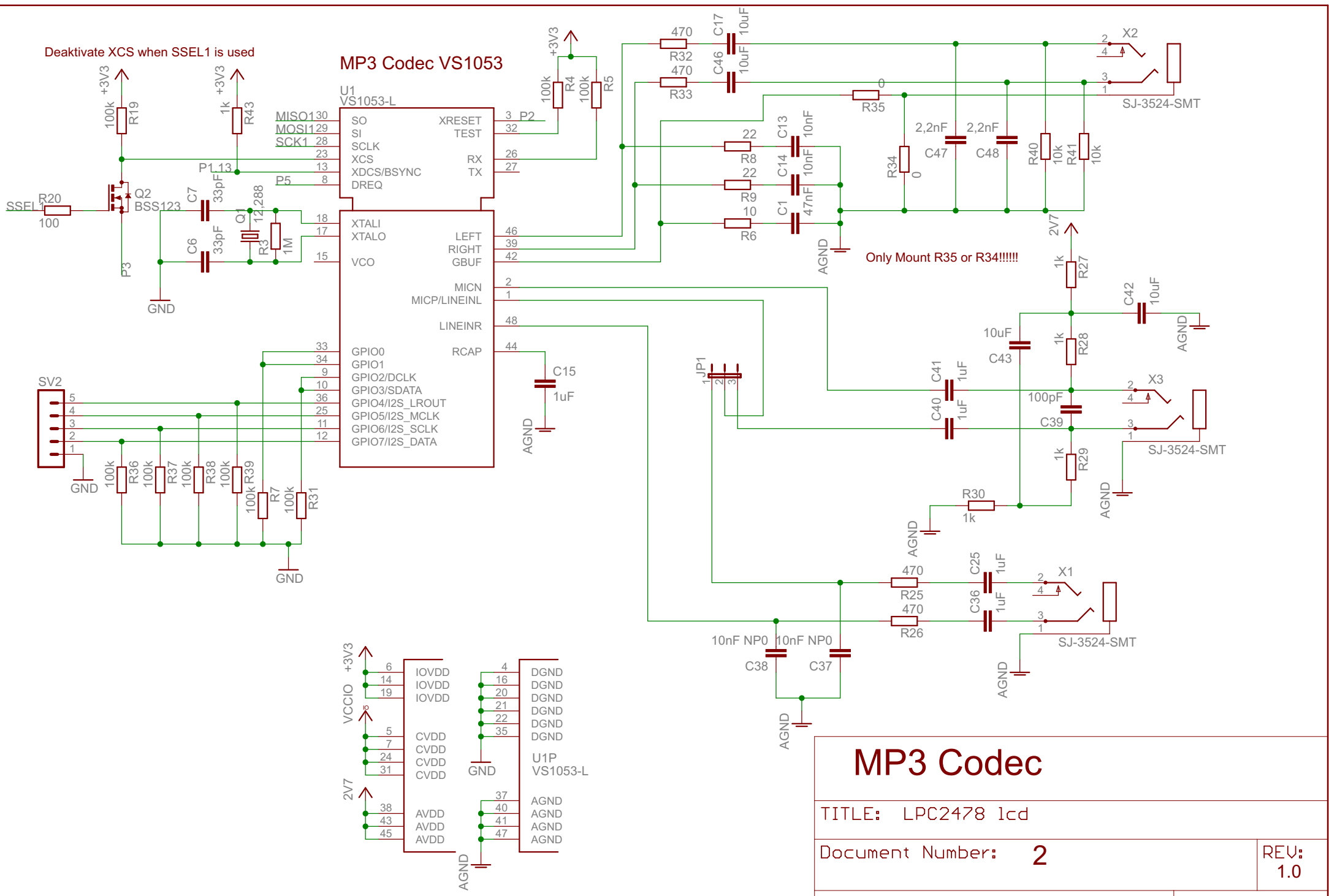
TITLE: LPC2478 lcd

Document Number: 3

REV: 1.0

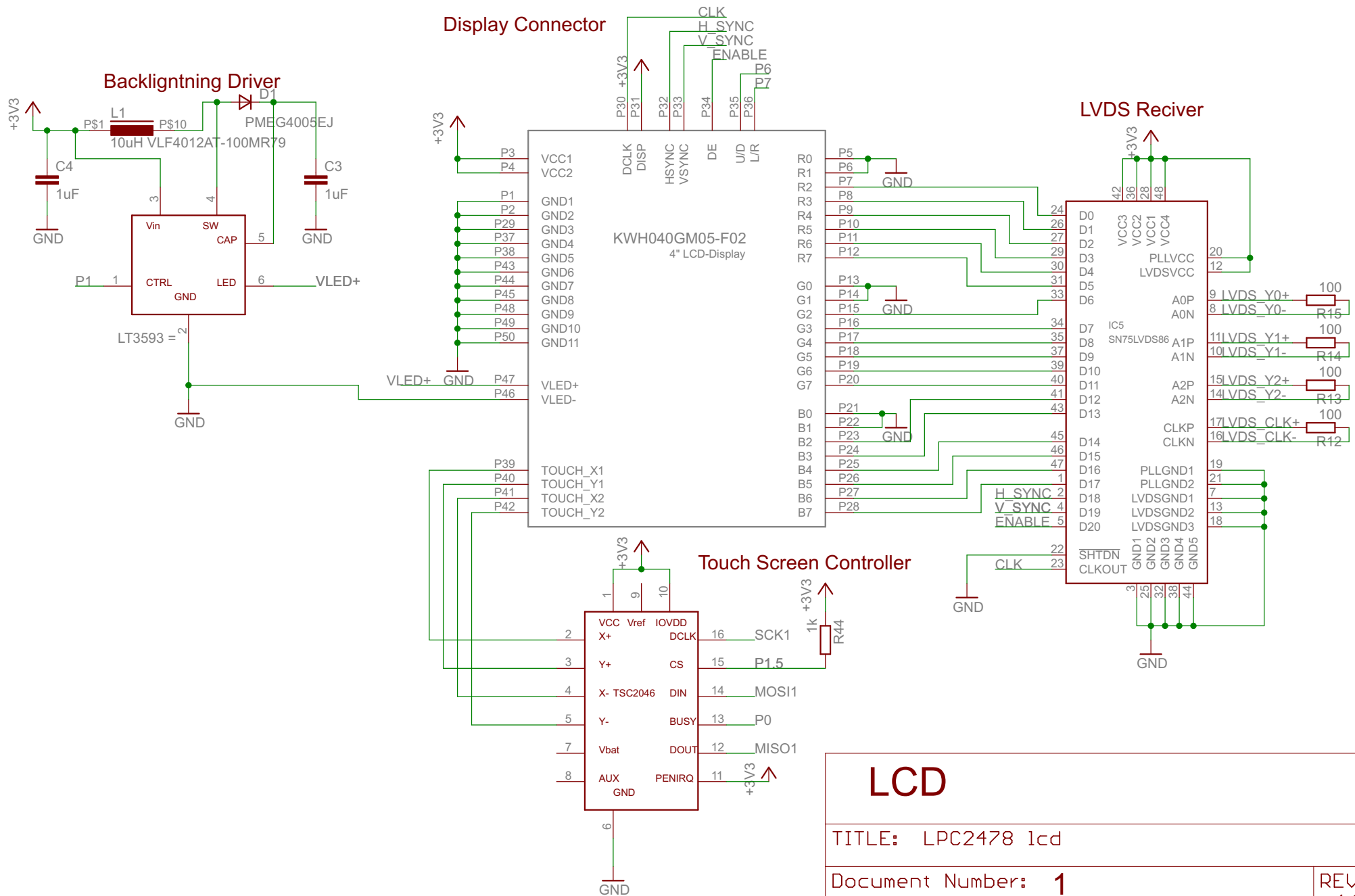
Date: 01.02.2010 20:58:53

Sheet: 1/1



MP3 Codec

TITLE: LPC2478 lcd	
Document Number: 2	REV: 1.0



LCD

TITLE: LPC2478 lcd

Document Number: 1

REV:
1.0

Date: 01.02.2010 20:58:53

Sheet: 1/1