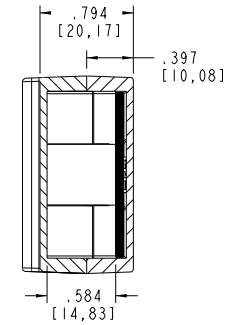
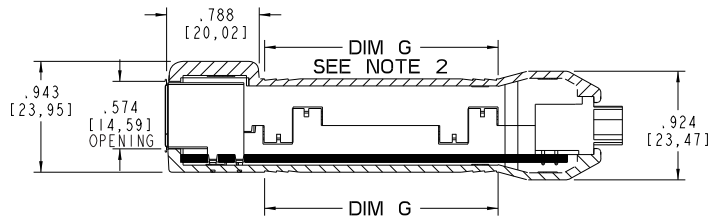


SECTION A-A



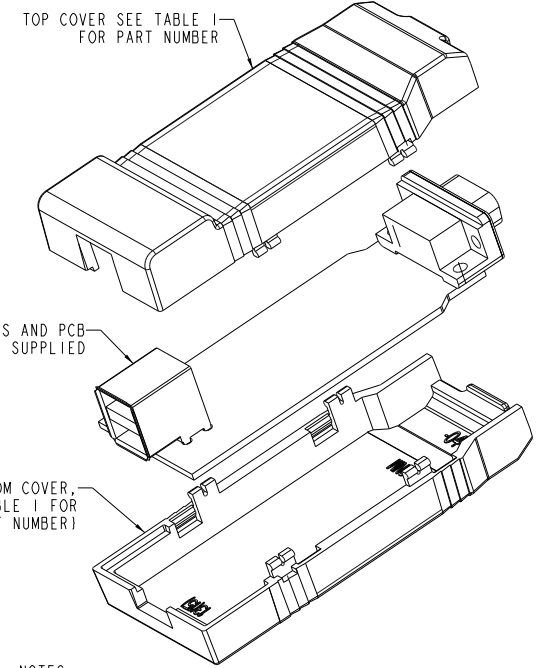
SECTION B-B



SECTION C-C

TABLE 1

CN SIZE	S	M	L
HOUSING PART NUMBER	CNS-0413	CNM-0413	CNL-0413
TOP COVER PART NUMBER	CNS-0413(14)	CNM-0413(14)	CNL-0413(14)
BOTTOM COVER PART NUMBER	CNS-0413(15)	CNM-0413(15)	CNL-0413(15)
DIM D PCB SIZE	2.782 [70,66]	3.282 [83,36]	3.782 [96,06]
DIM E OVERALL SIZE	3.194 [81,13]	3.694 [93,84]	4.194 [106,53]
DIM F MAX CRITICAL DIM	3.135 [79,63]	3.635 [92,32]	4.135 [105,03]
DIM G 2X INSERT AREA	1.500 [38,10]	2.000 [50,80]	2.500 [63,50]
DIM H	2.242 [56,95]	2.742 [69,65]	3.242 [82,35]
DIM J	2.374 [60,30]	2.874 [73,00]	3.374 [85,70]



NOTES:

1. ACTUAL PCB LENGTH IS A PRODUCT OF THE CONNECTORS SELECTED.
2. DIM "G" IS TOP AND BOTTOM COVER INSERT AREA X 1.450 [36,83] WIDE.
3. FOR APPLICATIONS REQUIRING DB9 ATTACHMENT HARDWARE, SEE CN_-1113 SERIES USER DIAGRAM.

DB9 RIGHT ANGLE CONNECTOR TO USB RIGHT ANGLE CONNECTOR

PACINTEC®

1-610-361-4200

CN_-0413-SERIES

SEE TABLE 1

VISIT **PACINTEC®** ON THE WORLD WIDE WEB
www.pactecenclosures.com

COLOR / MATERIAL CODE		
COLOR	94HB	94VO
BLACK	000	028
P.C.BONE	039	060

DRAWING NUMBER	REV
79587	A

