



# LTPS LCD Specification

Model Name: TD025THEG1

<b>Customer Signature</b>
Date

This technical specification is subjected to change without notice

---

**Table of Contents**

<b>NO.</b>	<b>Item</b>	<b>Page</b>
	Cover Sheet	1
	Table of Contents	2
	Record of Revision	3
1	Features	4
2	General Specifications	4
3	Input / Output Terminals	5
4	Absolute Maximum Ratings	7
5	Electrical Characteristics	8
6	Timing Chart	9
7	Power Sequence	18
8	Optical Characteristics	20
9	Reliability	22
10	Handling Cautions	23
11	Mechanical Drawing	24
12	Packing Drawing	25



**1. FEATURES**

The 2.46" LCD module is the active matrix color TFT LCD module. LTPS (Low Temperature Poly Silicon) TFT technology is applied with vertical and horizontal drivers built on the panel.

Both of horizontal and vertical scan are reversible and controlled by the serial interface commands.

The product is designed for the requirement of the green product, and the specification complies with Toppoly's "Green Product Chemical Substance Specification Standard Hand Book".

**2. GENERAL SPECIFICATIONS**

Item	Description	Unit
Display Size (Diagonal)	2.46	Inch
Display Type	Transmissive	-
Active Area (HxV)	49.946x37.56	mm
Number of Dots (HxV)	960 x 240	Dot
Dot Pitch (HxV)	0.0052 x 0.1565	mm
Color Arrangement	RGB Delta	-
Color Numbers	8 bit RGB (16 M color)	-
Outline Dimension (HxVxT)	56.2 x 47.8 x 2.53	mm
Weight	TBD	G
Panel surface treatment	HC+AG	-

\*Exclude FPC and protrusions.

### 3. INPUT/OUTPUT TERMINALS

#### 3.1 TFT LCD Panel

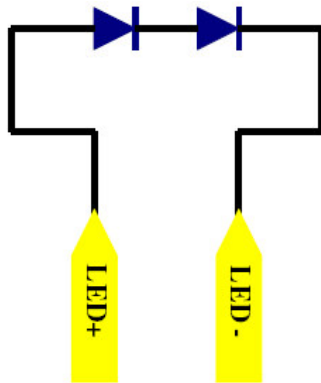
Recommend connector:

Compatible with JAE IL-FHJ-39S-HF-A1, HRS FH23-39S-0.3SHW(0.5),  
Molex SD54809 –3957 ,

Pin	Symbol	I/O	Description	Remark
1	CP3	C	Capacitor for power setting	
2	CP4	C	Capacitor for power setting	
3	CP5	C	Capacitor for charge pump	
4	CP6	C	Capacitor for charge pump	
5	CP7	C	Capacitor for charge pump	
6	CP8	C	Capacitor for charge pump	
7	DUMMY	--	Dummy	
8	DUMMY	--	Dummy	
9	PCD	C	Capacitor for pre-charge data signal high	
10	VCOML	C	Capacitor for VCOM low	
11	VCOMH	C	Capacitor for VCOM high	
12	AGND	--	Analog ground	
13	DUMMY	--	Dummy	
14	AVDD	C	Regulation capacitor for analog voltage	
15	CP1	C	Capacitor for charge pump	
16	CP2	C	Capacitor for charge pump	
17	PWM	O	Power transistor gate signal for the boost converter	
18	FB	I	Main boost regulator feedback input.	
19	LED-	--	LED power: cathode	<b>Note 1</b>
20	DUMMY	--	Dummy	
21	DUMMY	--	Dummy	
22	LED+	--	LED power: anode	<b>Note 1</b>
23	GND	--	Ground	
24	VCC	--	Power supply for digital circuit and charge pump circuit	
25	VSYNC	I	Vertical sync input. Negative polarity	
26	HSYNC	I	Horizontal sync input. Negative polarity	
27	DCLK	I	Clock signal, latch data onto line latches at the rising edge	
28	DIN0	I	Data input	
29	DIN1	I	Data input	

30	DIN2	I	Data input	
31	DIN3	I	Data input	
32	DIN4	I	Data input	
33	DIN5	I	Data input	
34	DIN6	I	Data input	
35	DIN7	I	Data input	
36	SDA	I/O	Serial interface data line	
37	SCL	I	Serial interface clock line	
38	SCEN	I	Serial interface chip enable line	
39	SHDB	I	Shutdown input	<b>Note 2:</b>
40	GREST	I	System reset pin	

**Note 1:** The figure below shows the connection of backlight LED.



**Note 2:** SHDB

Pull High: Sleep mode is controlled by register setting. (address: 0x04)

Pull Low: Panel is in sleep mode

**4. ABSOLUTE MAXIMUM RATINGS**

Ta = 25°C

Item	Symbol	MIN	MAX	Unit	Remark
Logic Power Supply Voltage	V <sub>CC</sub>	-0.5	5	V	
Input Signal Voltage	V <sub>IN1</sub>	0	V <sub>CC</sub>	V	VD, HD, DCLK, DIN[0:7], SDA, SCL, SCEN, SHDB, GRESTD
Back Light Forward Current	I <sub>F</sub>	--	25	mA	
Operating Temperature	T <sub>OPR</sub>	-10	+60	°C	
Storage Temperature	T <sub>STG</sub>	-30	+80	°C	

**5. ELECTRICAL CHARACTERISTICS**

5.1 Driving TFT LCD Panel

GND=0V, Ta=25°C

Item	Symbol	MIN	TYP	MAX	Unit	Remark
Power Supply Voltage	V <sub>CC</sub>	2.85	3.3	3.6	V	Note 5-1
Input Signal Voltage	Low Level	V <sub>IL</sub>	GND	-	0.2x V <sub>cc</sub> *	VD, HD, DCLK, DIN[0:7], SDA, SCL, SCEN, SHDB, GRE <sub>STB</sub>
	High Level	V <sub>IH</sub>	0.8x V <sub>cc</sub> *	-	V <sub>cc</sub> *	
PWM Output Voltage	V <sub>PWM</sub>	0	-	V <sub>cc</sub> *	V	
Feedback Voltage	V <sub>FB</sub>	0.55	0.6	0.65	V	Note 5-2
Panel Power Consumption	W <sub>P</sub>	-	50	60	mW	

V<sub>cc</sub>\* =V<sub>cc</sub>(TYP)

Note 5-1: The V<sub>cc</sub> power is provided for overall panel module supply voltage.

Note 5-2: DC/DC feedback control voltage

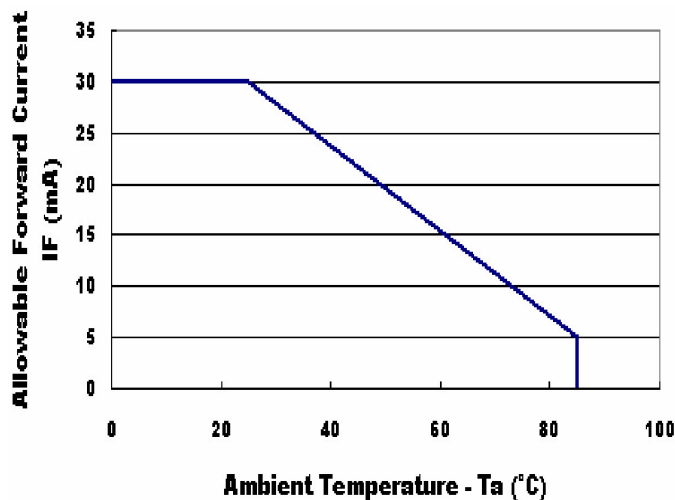
5.2 Driving Backlight

Ta=2

Item	Symbol	MIN	TYP	MAX	Unit	Remark
Forward Current	I <sub>F</sub>	---	20	30	mA	Note 5-3
Forward Current Voltage	V <sub>F</sub>	---	6.6	7.2	V	
Backlight Power Consumption	W <sub>BL</sub>	---	132	216	mW	

Note 5-3: Backlight driving circuit is recommended as the fix current circuit.

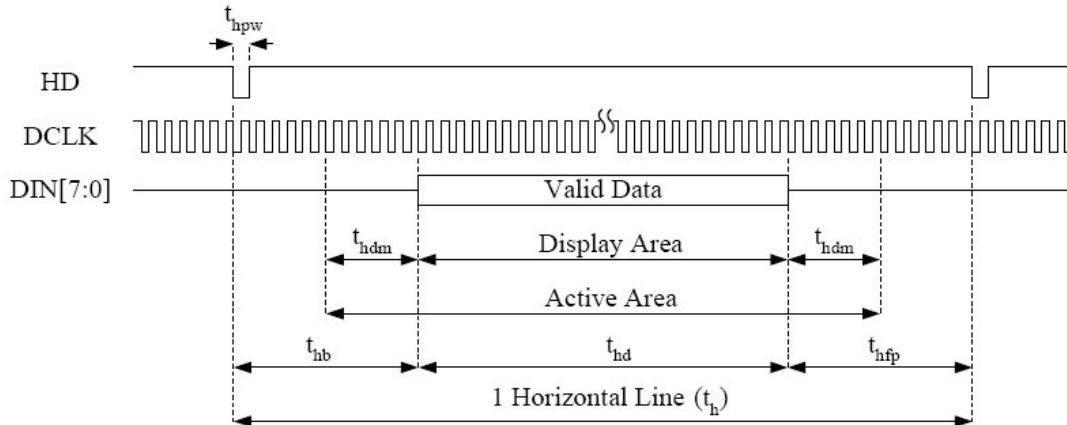
The figure of ambient temperature vs. allowable forward current is shown as below.





## 6. TIMING CHART

### 6.1 Serial RGB Dummy Mode and Serial YUV 4:2:2 Mode: Horizontal



#### (1) YUV Mode: ITUR601-NTSC

Item	Symbol	MIN	TYP	MAX	Unit
Dot Clock Frequency	DCLK	-	27	-	MHz
Horizontal Display Active	Display Area	-	1440	-	DCLK
Horizontal Line	$t_h$	-	1716	-	DCLK
HSYNC Pulse Width	$t_{hpw}$	1	1	-	DCLK
Horizontal Back Porch	$t_{hb}$	-	240	-	DCLK
Horizontal Front Porch	$t_{hfp}$	-	36	-	DCLK
Horizontal Dummy Time	$t_{hdm}$	--	4	--	DCLK

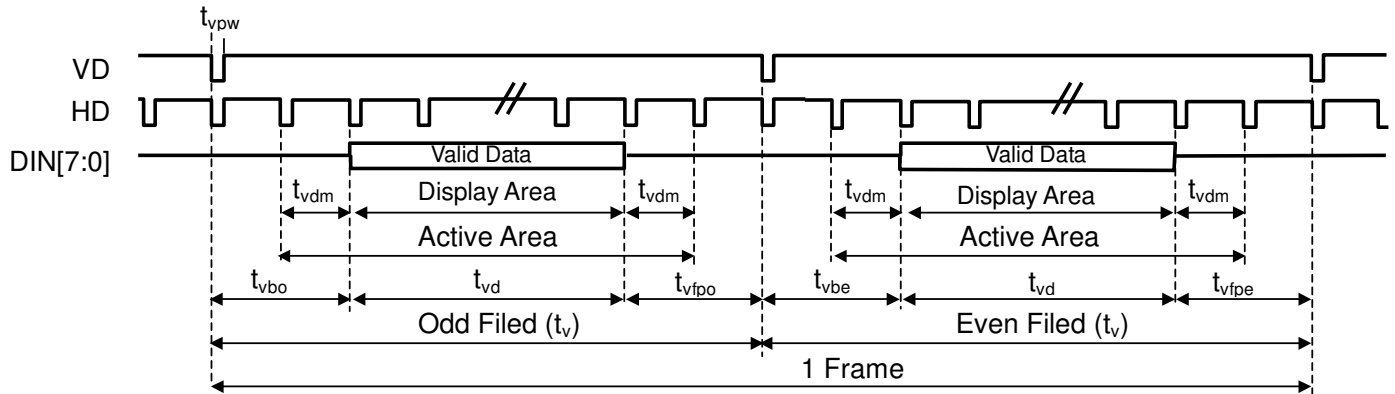
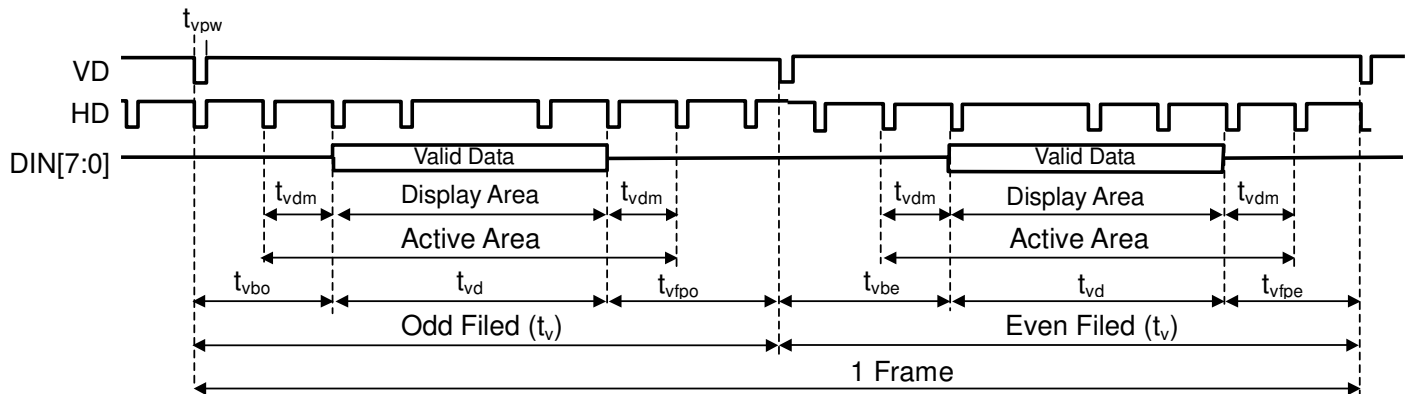
## (2) YUV Mode: ITUR601-PAL

Item	Symbol	MIN	TYP	MAX	Unit
Dot Clock Frequency	DCLK	-	27	-	MHz
Horizontal Display Active	Display Area	-	1440	-	DCLK
Horizontal Line	$t_h$	-	1728	-	DCLK
HSYNC Pulse Width	$t_{hpw}$	1	1	-	DCLK
Horizontal Back Porch	$t_{hb}$	-	240	-	DCLK
Horizontal Front Porch	$t_{hfp}$	-	48	-	DCLK
Horizontal Dummy Time	$t_{hdm}$	--	4	--	DCLK

## (3) RGB Dummy Mode

Item	Symbol	MIN	TYP	MAX	Unit	
Dot Clock Frequency	QVGA	DCLK	-	25	-	MHz
	NTSC		-	24.54	-	
	PAL		-	24.38	-	
Horizontal Display Active	Display Area	-	1280	-	DCLK	
Horizontal Line	$t_h$	-	1560	-	DCLK	
HSYNC Pulse Width	$t_{hpw}$	-	1	-	DCLK	
Horizontal Back Porch	$t_{hb}$	-	240	-	DCLK	
Horizontal Front Porch	$t_{hfp}$	-	40	-	DCLK	
Horizontal Dummy Time	$t_{hdm}$	--	4	--	DCLK	

## 6.2 Serial RGB Dummy Mode and Serial YUV 4:2:2 Mode: Vertical


**Non-interlace Mode**

**Interlace Mode**

## (1) Non-Interlace Mode: NTSC/QVGA

Item	Symbol	MIN	TYP	MAX	Unit	
Vertical Display Active	$t_{vd}$	-	240	-	Line	
Vertical Total Time	$t_v$	-	262	-	Line	
VSYNC Pulse Width	$t_{vpw}$	1	1	-	DCLK	
Vertical Back Porch	Odd Field	$t_{vbo}$	-	21	-	Line
	Even Field	$t_{vbe}$	-	21	-	Line
Vertical Front Porch	Odd Field	$t_{vfpo}$	-	1	-	Line
	Even Field	$t_{vfpe}$	-	1	-	Line
Vertical Dummy Time	$t_{vdm}$	-	0	-	Line	

## (2) Non-Interlace Mode: PAL

Item	Symbol	MIN	TYP	MAX	Unit	
Vertical Display Active	$t_{vd}$	-	288	-	Line	
Vertical Total Time	$t_v$	-	312	-	Line	
VSYNC Pulse Width	$t_{vpw}$	1	1	-	DCLK	
Vertical Back Porch	Odd Field	$t_{vbo}$	-	24	-	Line
	Even Field	$t_{vbe}$	-	24	-	Line
Vertical Front Porch	Odd Field	$t_{vfpo}$	-	0	-	Line
	Even Field	$t_{vfpe}$	-	0	-	Line
Vertical Dummy Time	$t_{vdm}$	-	0	-	Line	

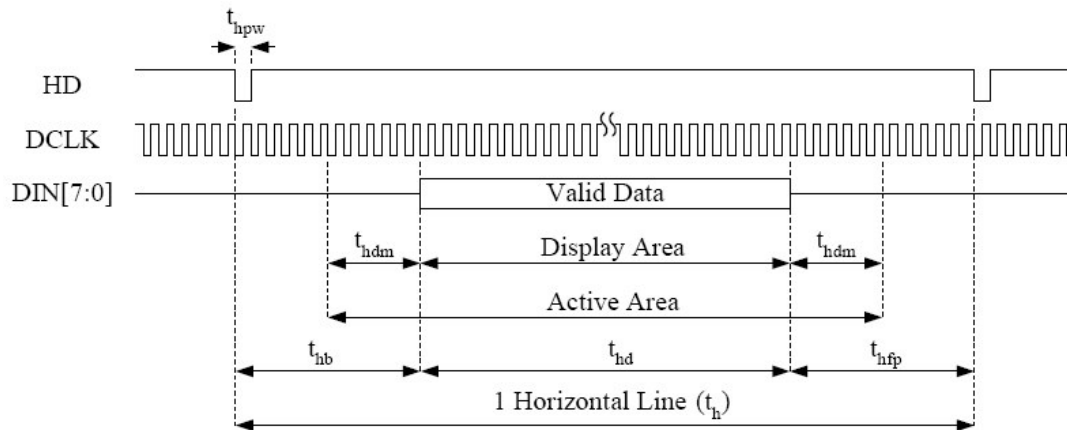
## (3) Interlace Mode: NTSC/QVGA

Item	Symbol	MIN	TYP	MAX	Unit	
Vertical Display Active	$t_{vd}$	-	240	-	Line	
Vertical Total Time	$t_v$	-	262.5	-	Line	
VSYNC Pulse Width	$t_{vpw}$	1	1	-	DCLK	
Vertical Back Porch	Odd Field	$t_{vbo}$	-	21	-	Line
	Even Field	$t_{vbe}$	-	21.5	-	Line
Vertical Front Porch	Odd Field	$t_{vfpo}$	-	1.5	-	Line
	Even Field	$t_{vfpe}$	-	1	-	Line
Vertical Dummy Time	$t_{vdm}$	-	0	-	Line	

## (4) Interlace Mode: PAL

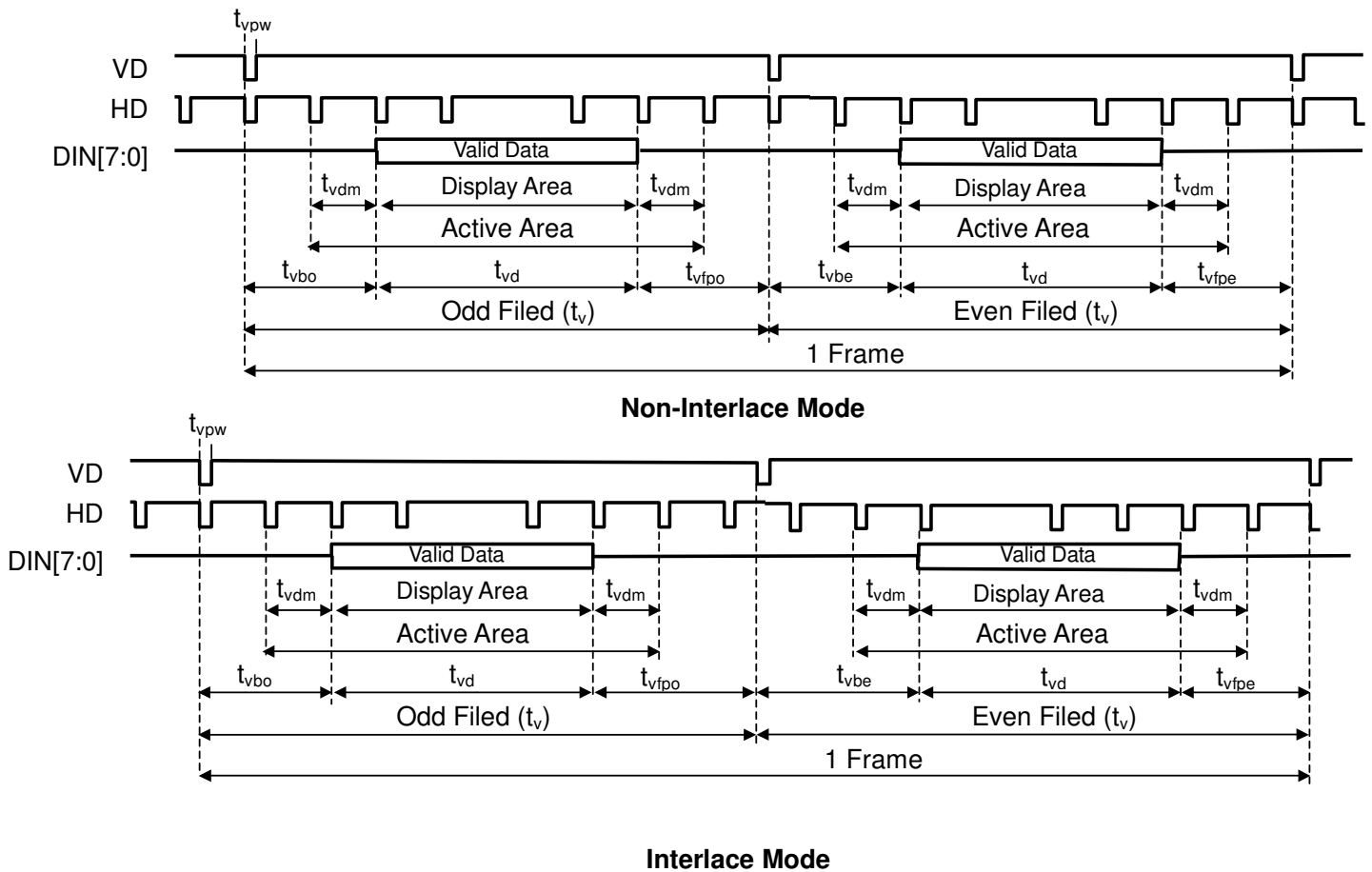
Item	Symbol	MIN	TYP	MAX	Unit	
Vertical Display Active	$t_{vd}$	-	288	-	Line	
Vertical Total Time	$t_v$	-	312.5	-	Line	
VSYNC Pulse Width	$t_{vpw}$	1	1	-	DCLK	
Vertical Back Porch	Odd Field	$t_{vbo}$	-	24	-	Line
	Even Field	$t_{vbe}$	-	24.5	-	Line
Vertical Front Porch	Odd Field	$t_{vfpo}$	-	0.5	-	Line
	Even Field	$t_{vfpe}$	-	0	-	Line
Vertical Dummy	$t_{vdm}$	-	0	-	Line	

## 6.3 Through Mode: Horizontal



Item	Symbol	MIN	TYP	MAX	Unit
Dot Clock Period	DCLK		12.90		MHz
Horizontal Display Active	Display Area	-	640	-	DCLK
Horizontal Line	$t_h$	-	820	-	DCLK
HSYNC Pulse Width	$t_{hpw}$	1	1	-	DCLK
Horizontal Back Porch	$t_{hb}$	-	117	-	DCLK
Horizontal Front Porch	$t_{hfp}$	-	63	-	DCLK
Horizontal Dummy Time	$t_{hdm}$	--	4	--	DCLK

## 6.4 Through Mode: Vertical

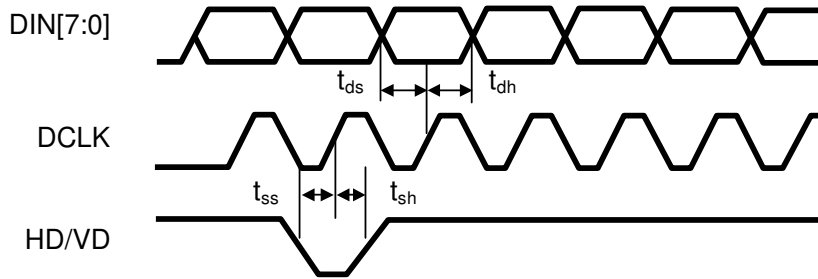


- (1) Non-Interlace Mode
- (2) Interlace Mode

Item	Symbol	MIN	TYP	MAX	Unit	
Vertical Display Active	$t_{vd}$	-	240	-	Line	
Vertical Total Time	$t_v$	-	262	-	Line	
VSYNC Pulse Width	$t_{vpw}$	1	1	-	DCLK	
Vertical Back Porch	Odd Field	$t_{vbo}$	-	14	-	Line
	Even Field	$t_{vbe}$	-	14	-	Line
Vertical Front Porch	Odd Field	$t_{vfpo}$	-	8	-	Line
	Even Field	$t_{vfpe}$	-	8	-	Line
Vertical Dummy Time	$t_{vdm}$	-	0	-	Line	

Item	Symbol	MIN	TYP	MAX	Unit	
Vertical Display Active	$t_{vd}$	-	240	-	Line	
Vertical Total Time	$t_v$	-	262.5	-	Line	
VSYNC Pulse Width	$t_{vpw}$	1	1	-	DCLK	
Vertical Back Porch	Odd Field	$t_{vbo}$	-	14	-	Line
	Even Field	$t_{vbe}$	-	14.5	-	Line
Vertical Front Porch	Odd Field	$t_{vfpo}$	-	8.5	-	Line
	Even Field	$t_{vfpe}$	-	8	-	Line
Vertical Dummy Time	$t_{vdm}$	-	0	-	Line	

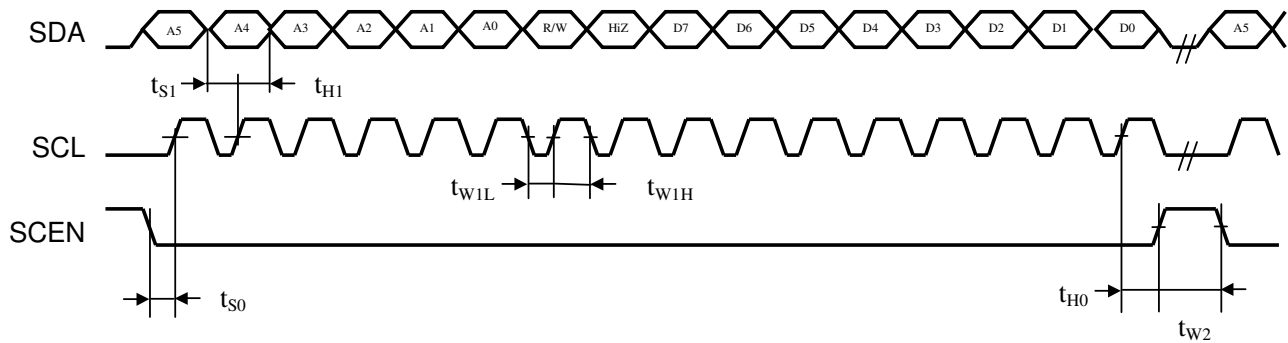
6.5 Setup Time and Hold Time



Item	Symbol	MIN	TYP	MAX	Unit
DCLK Duty Ratio	-	40	-	60	%
Data Setup Time	$t_{ds}$	12	-	-	ns
Data Hold Time	$t_{dh}$	12	-	-	ns
Control Signal Setup Time	$t_{ss}$	12	-	-	ns
Control Signal Hold Time	$t_{sh}$	12	-	-	ns



## 6.6 Serial Interface Timing



Parameter	Symbol	Condition	MIN	TYP	MAX	Unit
Data Setup Time	$t_{S0}$	SCEN to SCL	150	-	-	ns
	$t_{S1}$	SDA to SCL	150	-	-	ns
Data Hold Time	$t_{H0}$	SCEN to SCL	150	-	-	ns
	$t_{H1}$	SDA to SCL	150	-	-	ns
Pulse width	$t_{W1L}$	SCL pulse width	160	-	-	ns
	$t_{W1H}$	SCL pulse width	160	-	-	ns
	$t_{W2}$	SCEN pulse width	1.0	-	-	us
Clock Duty	-	SCL duty ratio	40	50	60	%

## 7. Power on/off and mode change sequence

Power on (low power mode, global reset) to normal mode sequence

Step1: Wait VCC go stable and then send a low pulse(more then 160us) to GRSTB pad.

A normal command is following GRSTB low pulse.

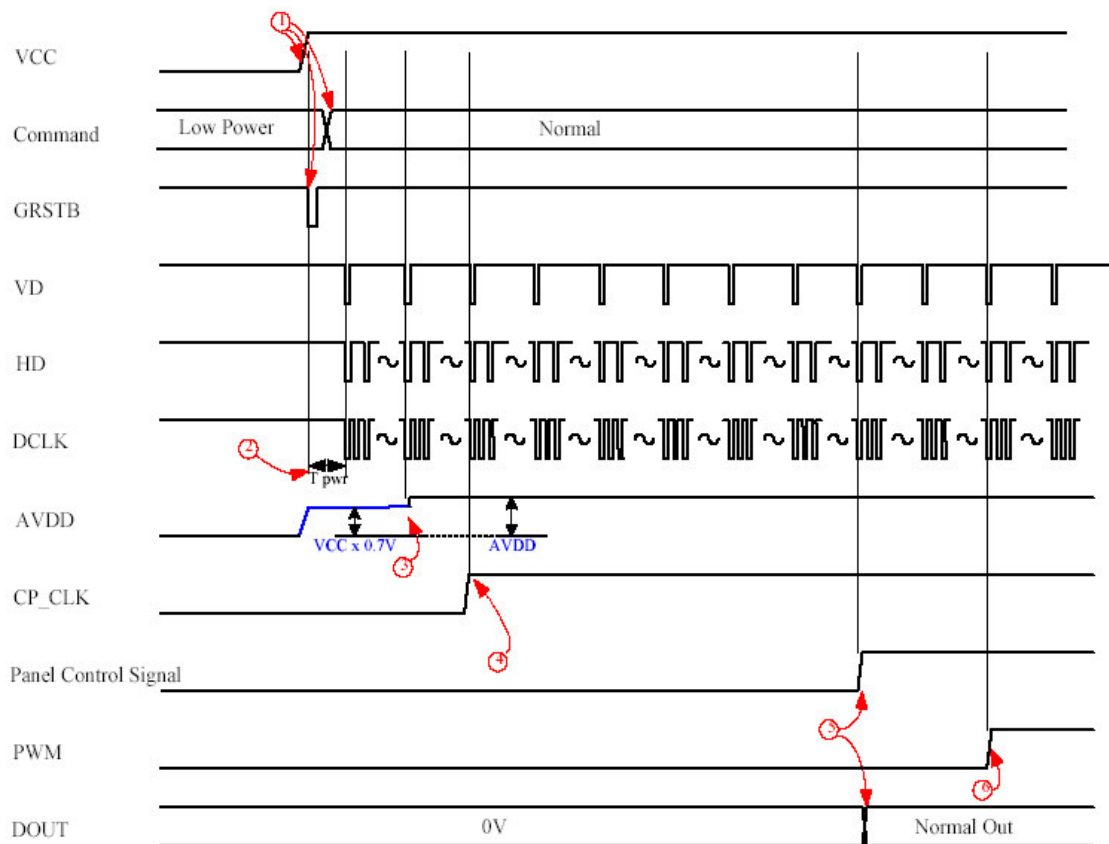
Step2: Before turn on VCC, the VD/HD/DCLK input signal must keep still until  $T_{pwr}(2ms)$ .

Step3: AVDD will start when second VD coming.

Step4: CP\_CLK will start when third VD coming.

Step5: Panel Control Signal and Normal DOUT will start when ninth VD coming.

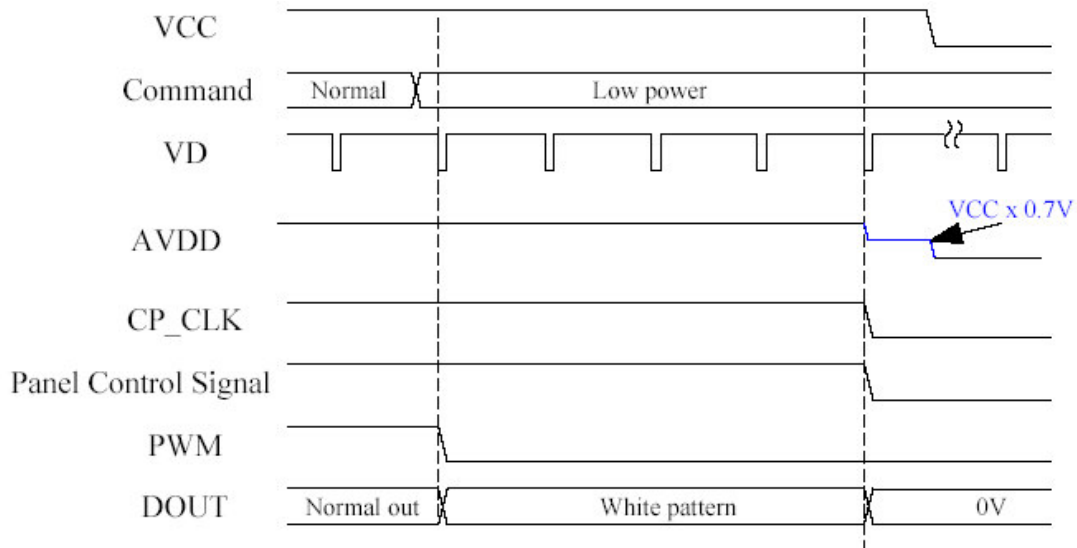
Step6: PWM control signal will start when eleventh VD coming.



Normal mode to power off (low power mode) sequence

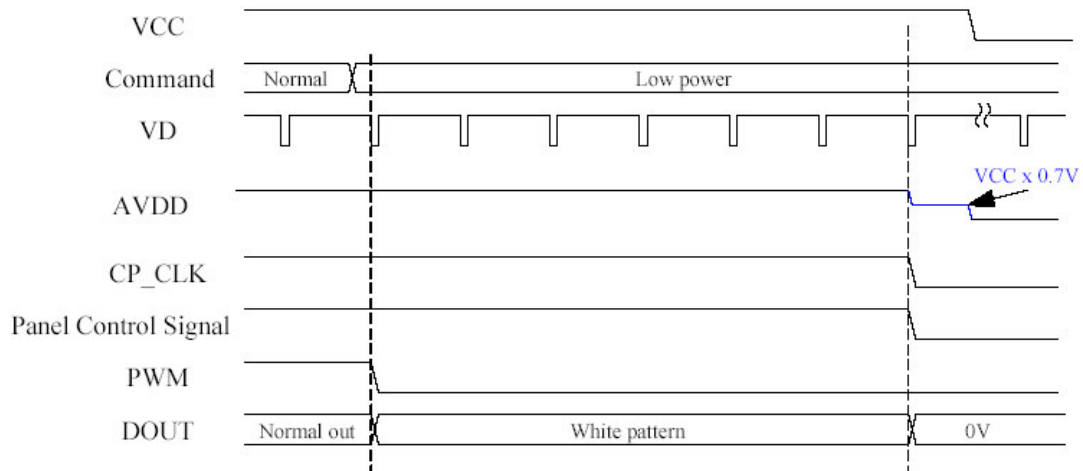
Resolution: 480x240 and 640x240

( After “Lower Power” command, please keep VCC power on more then 6 VD cycles when TPG105 work in 480x240 or 640x240 resolution )



Resolution: 960x240

( After “Lower Power” command, please keep VCC power on more then 8 VD cycles when TPG105 work in 960x240 resolution)



**8. OPTICAL CHARACTERISTICS**

8.1 Optical Specification

Ta=25°C

Item	Symbol	Condition	MIN	TYP	MAX	Unit	Remarks	
Viewing Angles	θ11	CR ≥ 10		40	-	Degree	Note 8-1	
	θ12			40	-			
	θ21			20	-			
	θ22			50	-			
Contrast Ratio	CR	θ=0° 0.26 0.28		300	-		Note 8-2	
Response Time	Rising		Tr		8	20	ms	Note 8-3
	Falling		Tf		17	30		
Luminance (I <sub>F</sub> =23mA)	L			200	250	-	cd/m <sup>2</sup>	Note 8-4
Chromaticity	White		x <sub>w</sub>	0.26	0.31	0.36		Note 8-5
		y <sub>w</sub>	0.28	0.33	0.38			

8.2 Basic Measure Conditions

(1) Driving voltage

VCC= 3 V

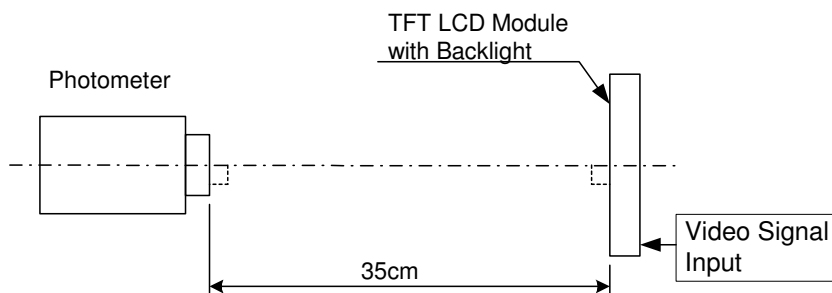
(2) Ambient Temperature: Ta=25°C

(3) Testing Point: Measure in the display center point and the test angle θ=0°

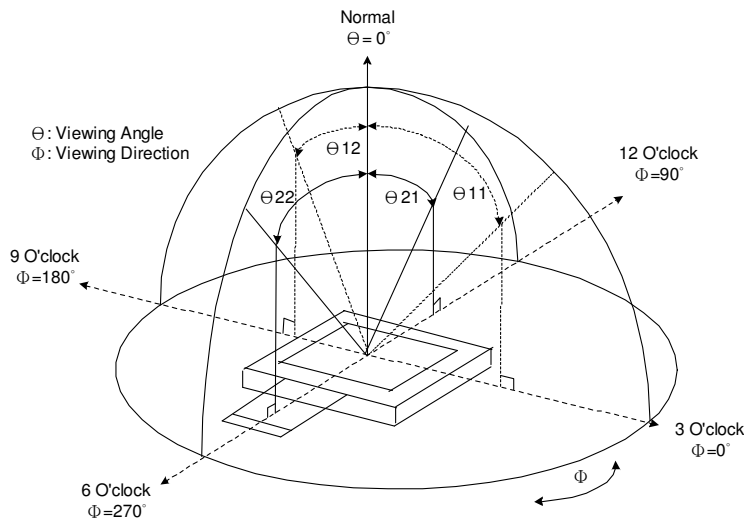
(4) LED Current: I<sub>F</sub>=23mA.

(5) Testing Facility

Environmental illumination: ≤ 1 Lux



Note 8-1: Viewing angle diagrams:

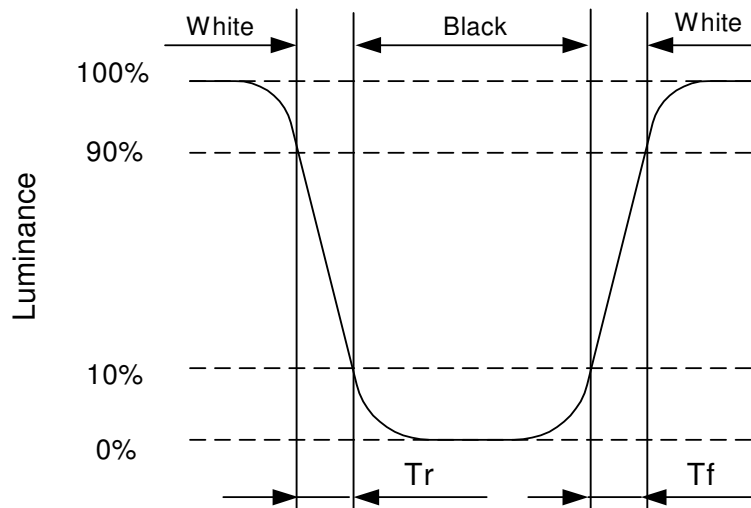


Note 8-2: Contrast Ratio:

Contrast ratio is measured in optimum common electrode voltage.

$$CR = \frac{\text{Luminance with white image}}{\text{Luminance with black image}}$$

Note 8-3: Definition of response time:



Note 8-4: Luminance:

Test Point: Display Center

Note 8-5: Chromaticity: The same test condition as Note 8-4.

**9. RELIABILITY**

No	Test Item	Condition
1	High Temperature Operation	Ta=+60°C, 240hrs
2	High Temperature & High Humidity Operation	Ta=+40°C, 95% RH, 240hrs
3	Low Temperature Operation	Ta=-10°C, 240hrs
4	High Temperature Storage (non-operation)	Ta=+80°C, 240hrs
5	Low Temperature Storage (non-operation)	Ta=-30°C, 240hrs
6	Thermal Shock (non-operation)	-30°C ↔ 80°C, 50 cycles 30 min    30 min
7	Surface Discharge (non-operation)	C=150pF, R=330Ω; Discharge: Air: ±15kV; Contact: ±8kV 5 times / Point; 5 Points / Panel
8	Vibration (non-operation)	Frequency: 10~55Hz; Amplitude: 1.5mm Sweep Time: 11 min Test Time: 2 hrs for each direction of X, Y, Z
9	Shock (non-operation)	Acceleration: 100G; Period: 6ms Directions: ±X, ±Y, ±Z; Cycles: Twice

Ta: Ambient Temperature

---

## 10. HANDLING CAUTIONS

### 10.1 ESD (Electrical Static Discharge) Strategy

ESD will cause serious damage of the panel, ESD strategy is very important in handling. Following items are the recommend ESD strategy

- (1) In handling LCD panel, please wear non-charged material gloves. And the conduction ring connect wrist to the earth and the conducting shoes to the earth is necessary.
- (2) The machine and working table for the panel should have ESD prohibition strategy.
- (3) In handling the panel, ionize flowing decrease the charge in the environment is necessary.
- (4) In the process of assembly the module, shield case should connect to the ground.

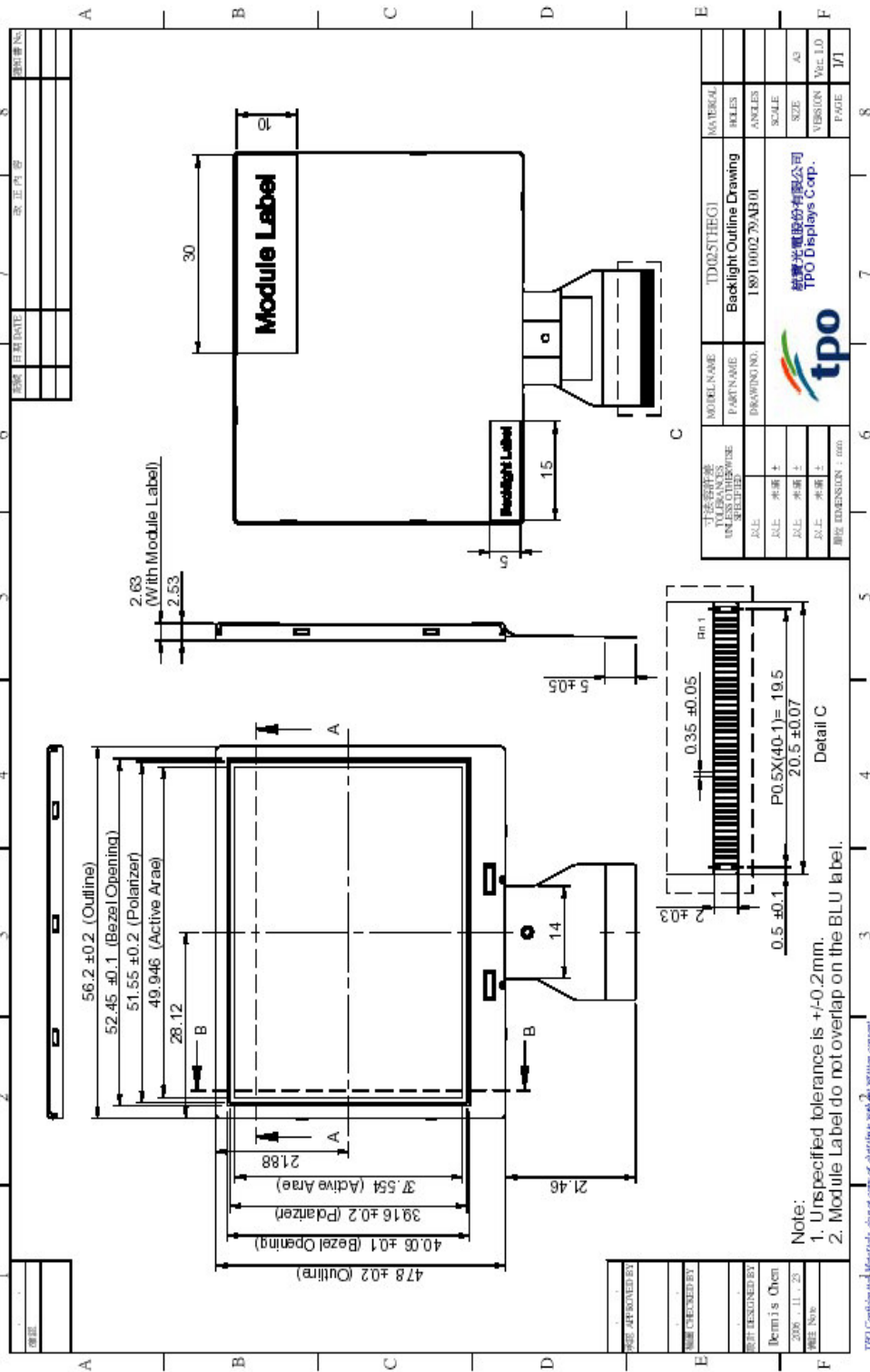
### 10.2 Environment

- (1) Working environment of the panel should in the clean room.
- (2) The front polarizer is easy damaged, handle it carefully and do not scratch it by sharp material.
- (3) Panel has polarizer protective film in the surface please remove the protection film of polarizer slowly with ionized air to prevent the electrostatic discharge.

### 10.3 Others

- (1) Turn off the power supply before connecting and disconnecting signal input cable.
- (2) The connection area of FPC and panel is very weak, do not handle panel only by FPC or bend FPC.
- (3) Water drop on the surface or condensation as panel power on will corrode panel electrode.
- (4) As the packing bag open, watch out the environment of the panel storage. High temperature and high humidity environment is prohibited.
- (5) When the TFT LCD module is broken, please watch out whether liquid crystal leaks out or not. If your hand touches liquid crystal, wash your hand cleanly by water and soap as soon as possible.

## 11. MECHANICAL DRAWING



DATE APPROVED BY	
NAME CHECKED BY	
DATE RESIGNED BY	
DESIGNED BY	Bermin's Chen
DATE REV.	2008.11.20

寸法單位/mm UNLESS OTHERWISE SPECIFIED	所有權者 TPO DISPLAYS CORP.	物料名稱 Backlight Outline Drawing	圖紙編號 18810002 29A3101	圖紙版本 AS
比例	比例	比例	比例	比例
比例	比例	比例	比例	比例
比例	比例	比例	比例	比例
圖紙尺寸/mm:				圖紙頁數 1/1

TPO Confidential. Materials, drawings, copy or distribution without written consent.



## 12. Packing Drawing

2.5" module (TD025THEG1) delivery packing method

- (1). Module packed into tray cavity (with Module display face down).
- (2). Tray stacking with 20 layers and with 1 empty tray above the stacking tray unit.  
2pcs desiccant put above the empty tray
- (3). Stacking tray unit put into the LDPE bag and fix by adhesive tape.
- (4). Put 1pc cardboard inside the carton bottom, and then pack the package unit into the carton. Put 1pc cardboard above the package unit.
- (5). Carton tapping with adhesive tape.

