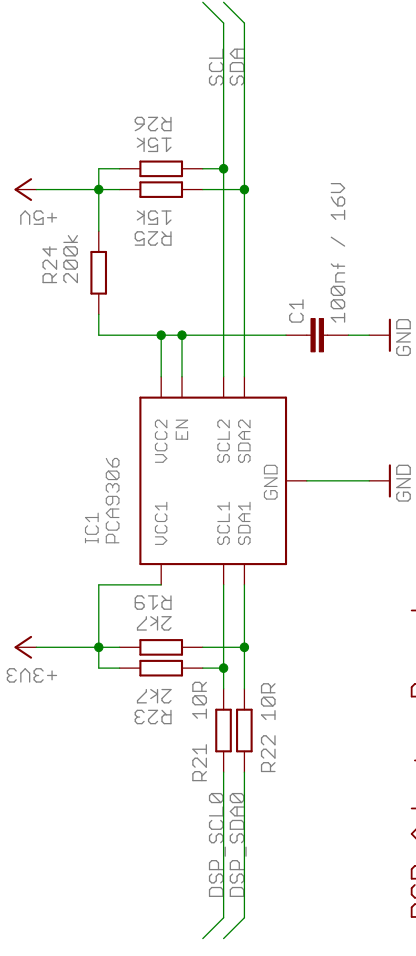


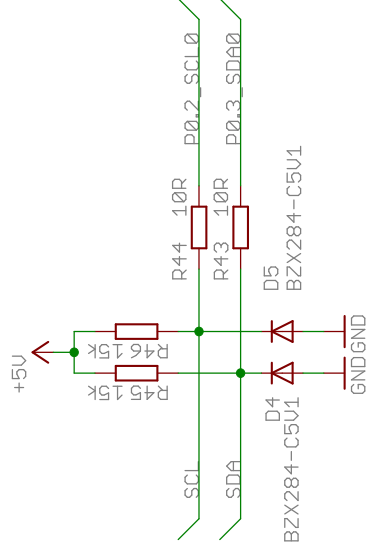
DSP Board

I2C Master: TMS320C6713B



DSP Adapter Board

Level Shift 3V3 <-> 5V



6x

I2C Slave: LPC2141

TITLE: i2c

Document Number:

REV:

Date: 24.05.2010 11:18:00

Sheet: 1/1