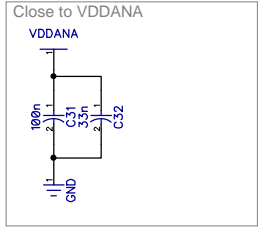
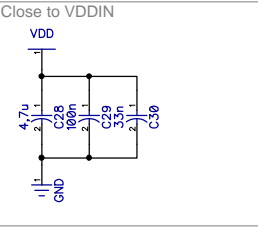
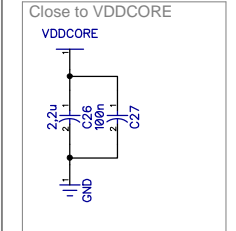
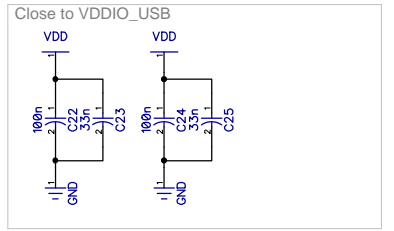
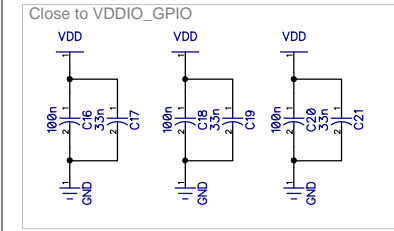
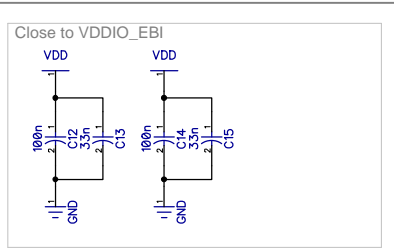
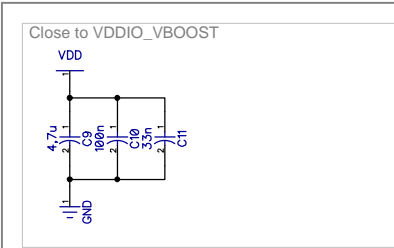
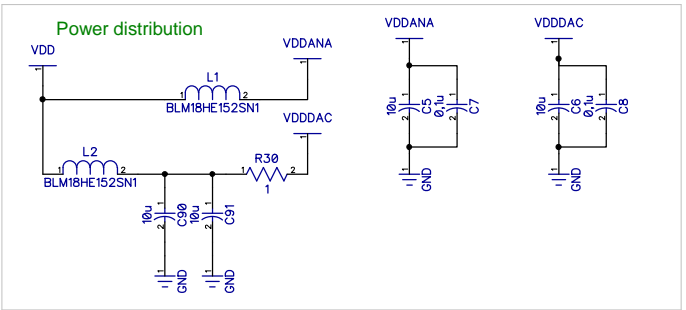
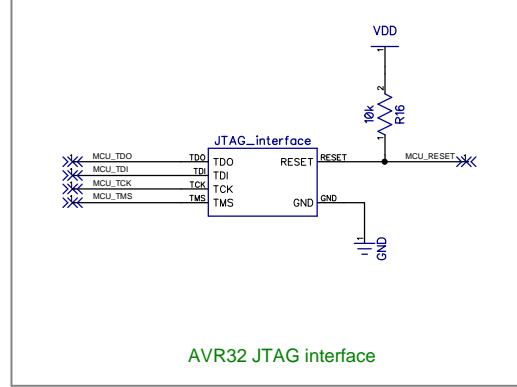
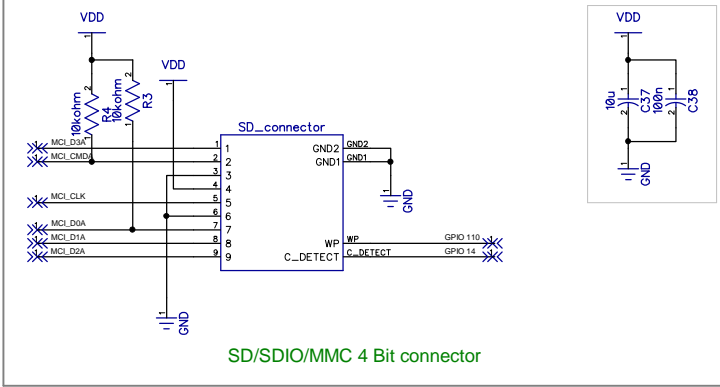
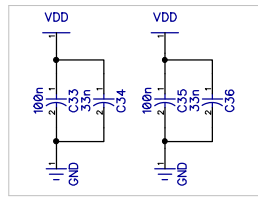


RevNo	Revision note	Date	Signature	Checked
-------	---------------	------	-----------	---------



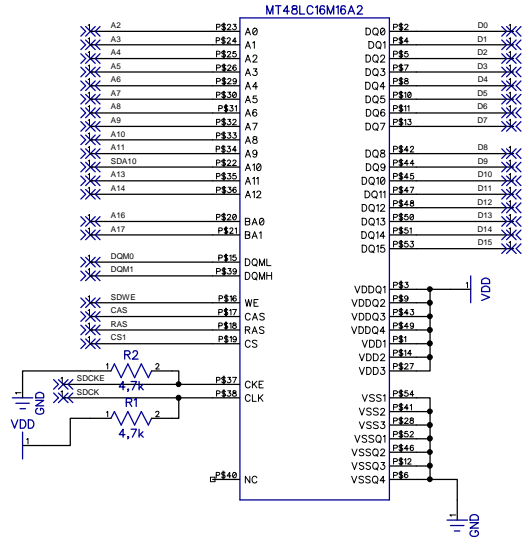
Decoupling capacitors

Quantity	NOSON HANDHELD BOARD			v2.0	
Designed by Zippi	Checked by	File name NOSON_2.0.dch	Date 27/06/10	Scale 1:1	
			Edition 1	Sheet 1/5	

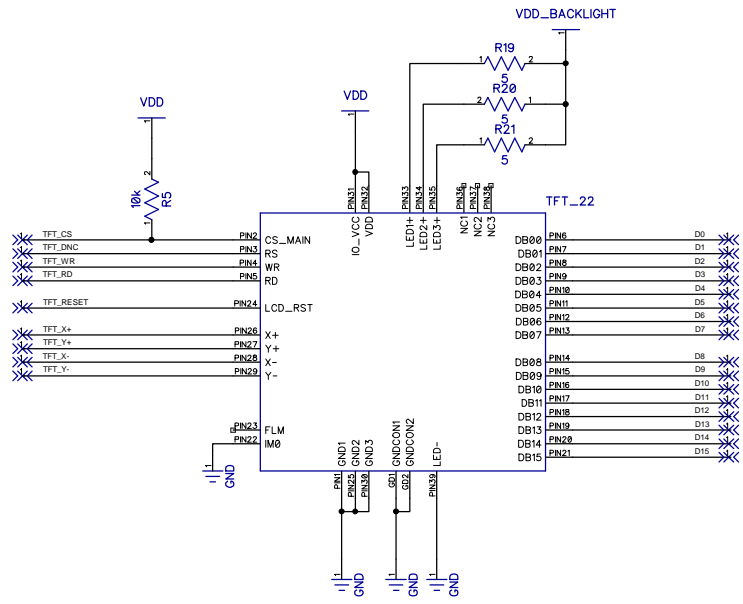


SD/SDIO/MMC 4 Bit connector

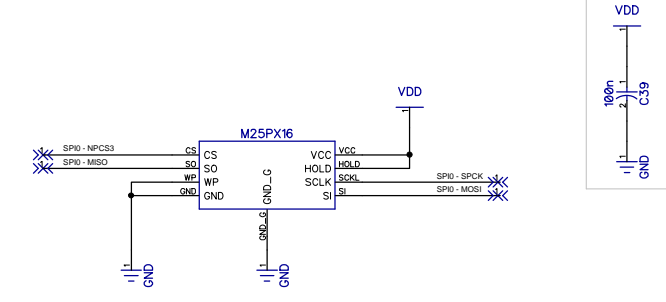
AVR32 JTAG interface



SDRAM 256 MBIT



2,2" LCD Display



Serial Flash 16Mbits

Quantity	NOSON HANDHELD BOARD			v2.0	
Designed by Zippi	Checked by	File name NOSON_2.0.dch	Date 27/06/10	Scale 1:1	
			Edition 1	Sheet 2/5	

1

2

3

4

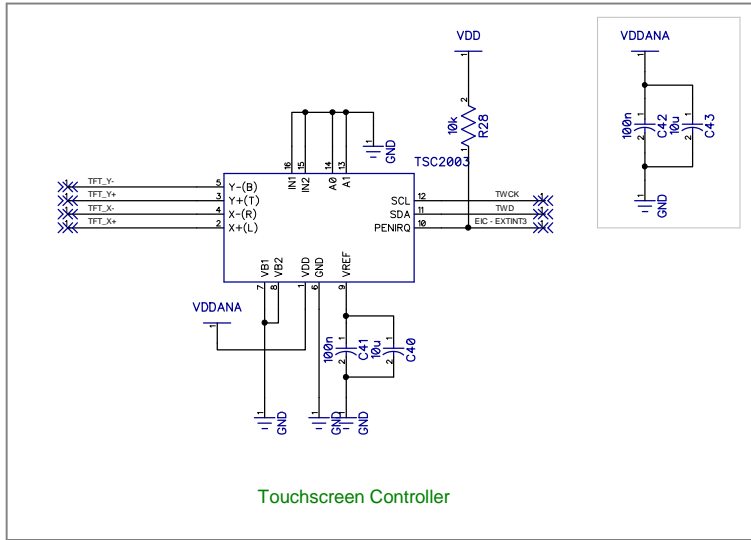
5

6

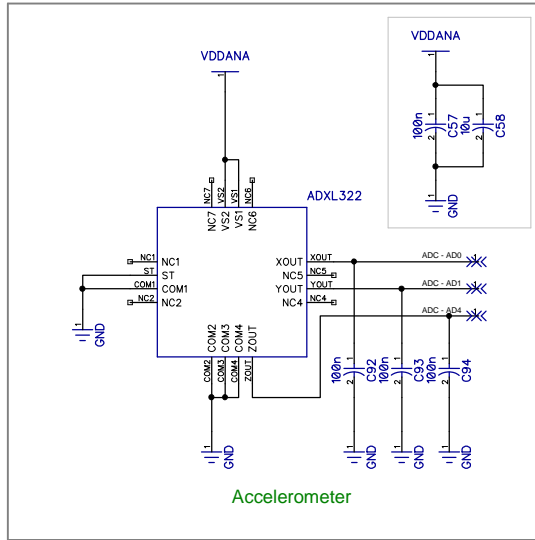
7

8

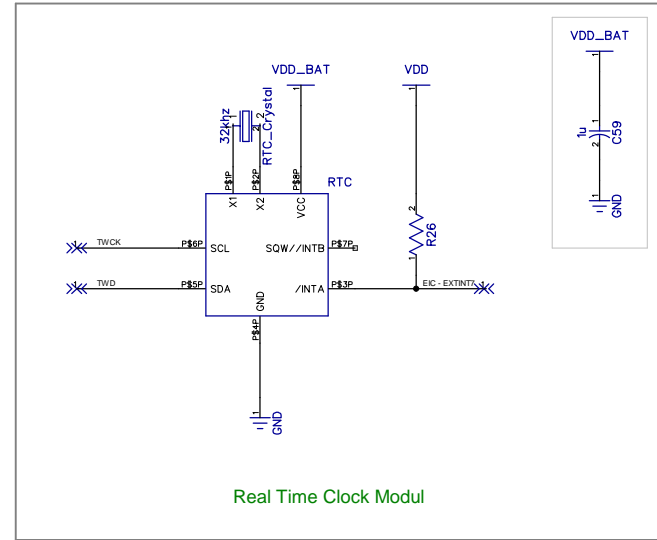
A



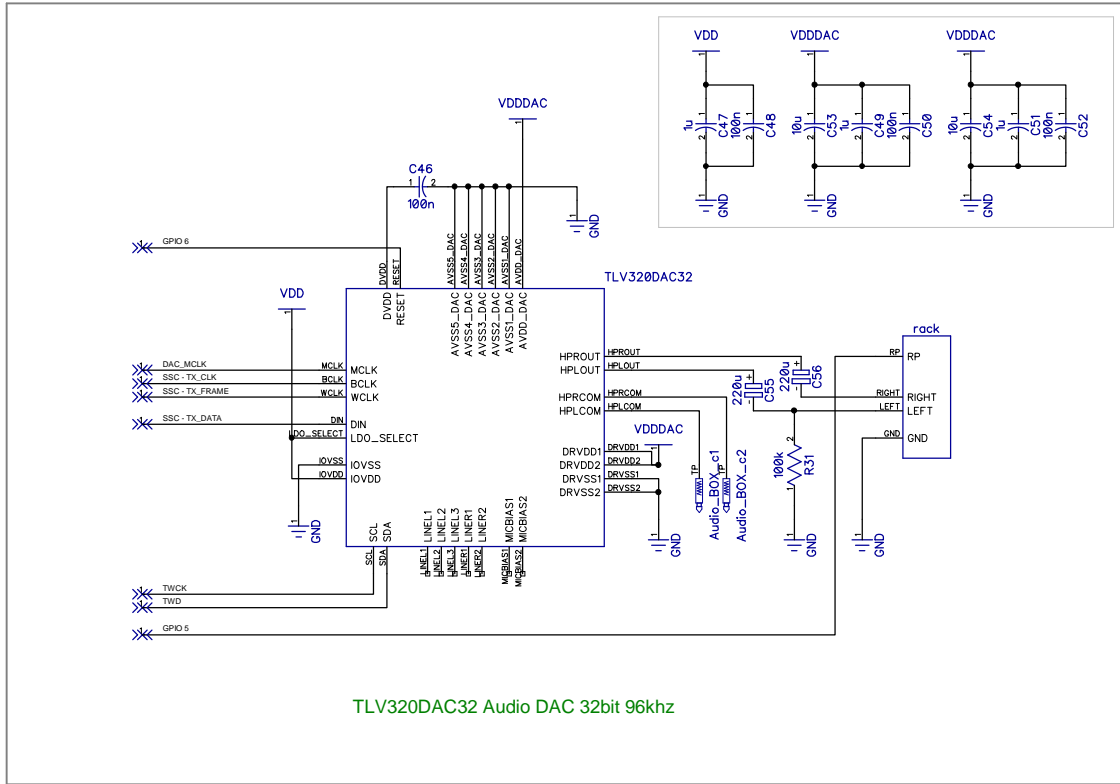
B



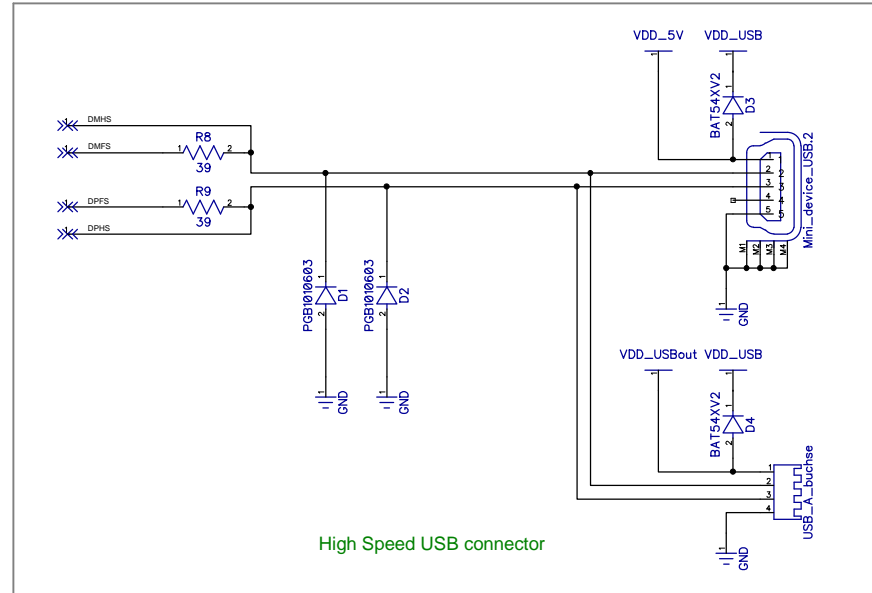
C



D



E



F

Quantity	NOSON HANDHELD BOARD			v2.0	
Designed by Zippi	Checked by	File name NOSON_2.0.dch	Date 27/06/10	Scale 1:1	
				Edition 1	Sheet 3/5

1

2

3

4

5

6

7

8

1

2

3

4

5

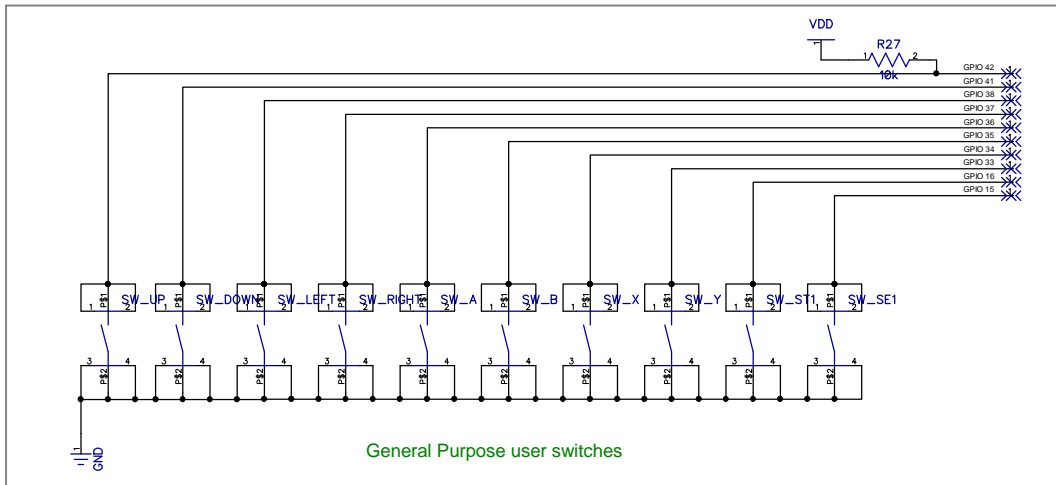
6

7

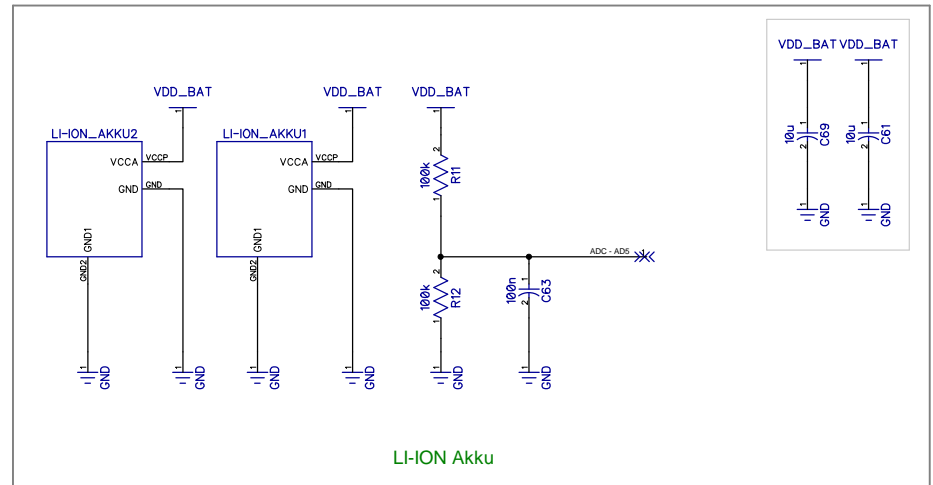
8

RevNo	Revision note	Date	Signature	Checked
-------	---------------	------	-----------	---------

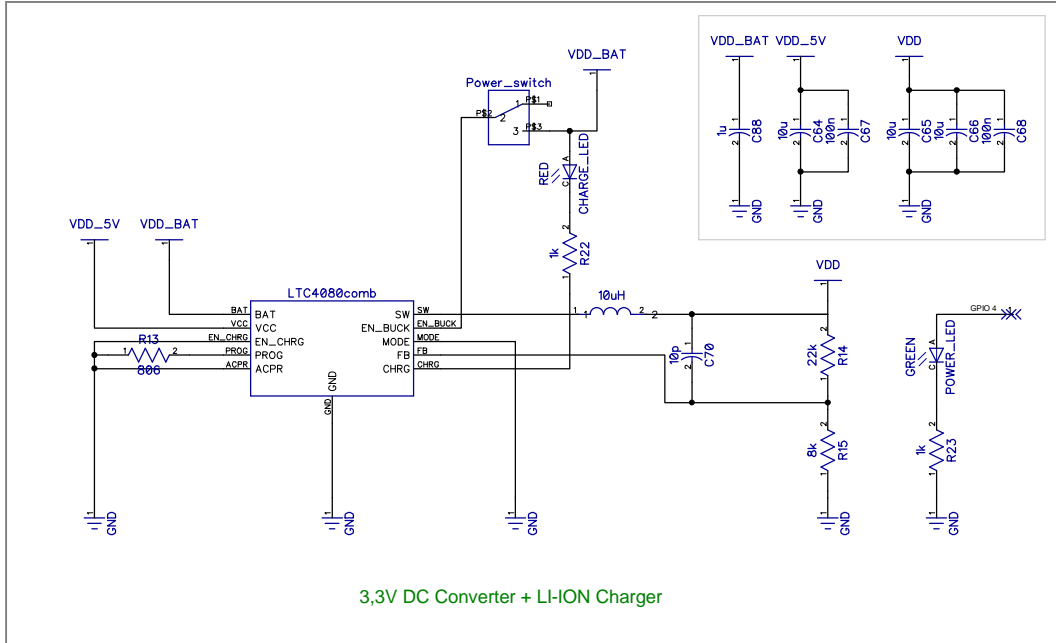
A



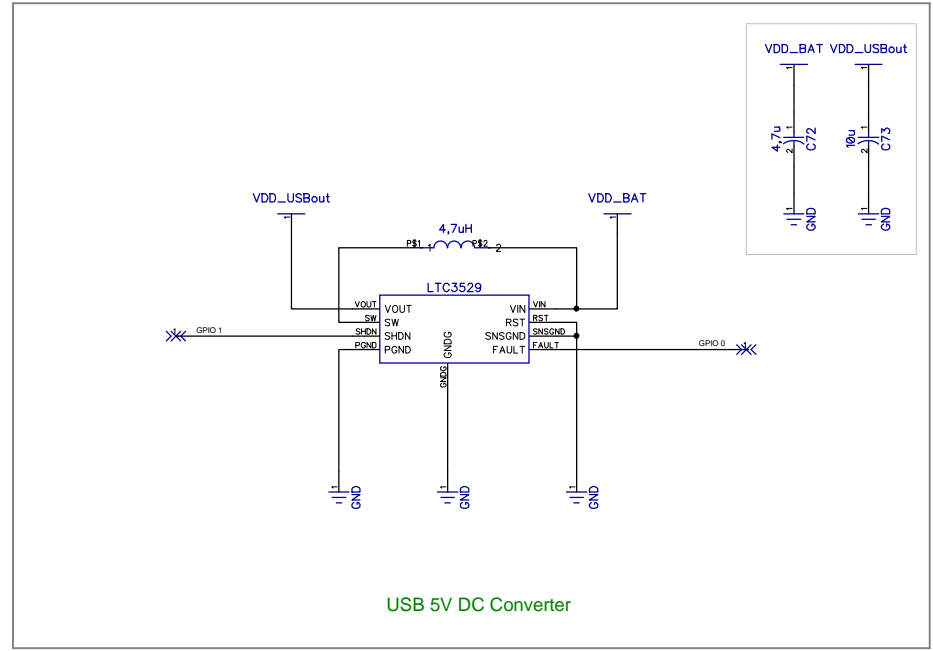
B



C



D



E

F

Quantity	NOSON HANDHELD BOARD			v2.0	
Designed by Zippi	Checked by	File name NOSON_2.0.dch	Date 27/06/10	Scale 1:1	
			Edition 1	Sheet 4/5	

1

2

3

4

5

6

7

8

A

B

C

D

E

F

A

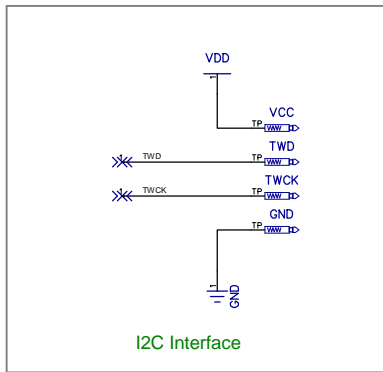
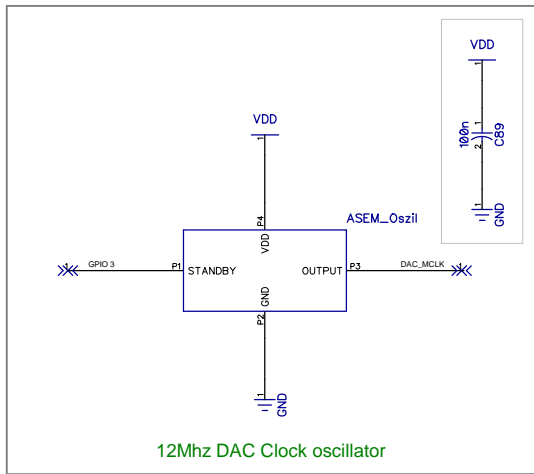
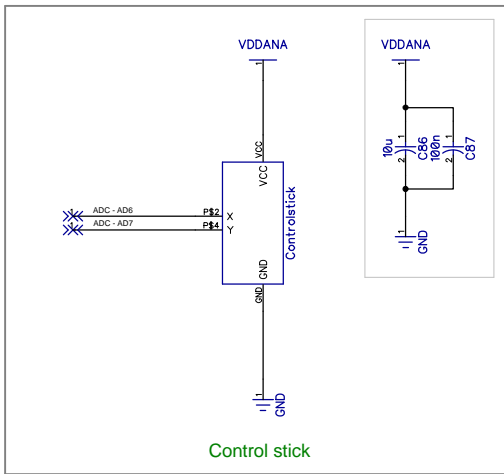
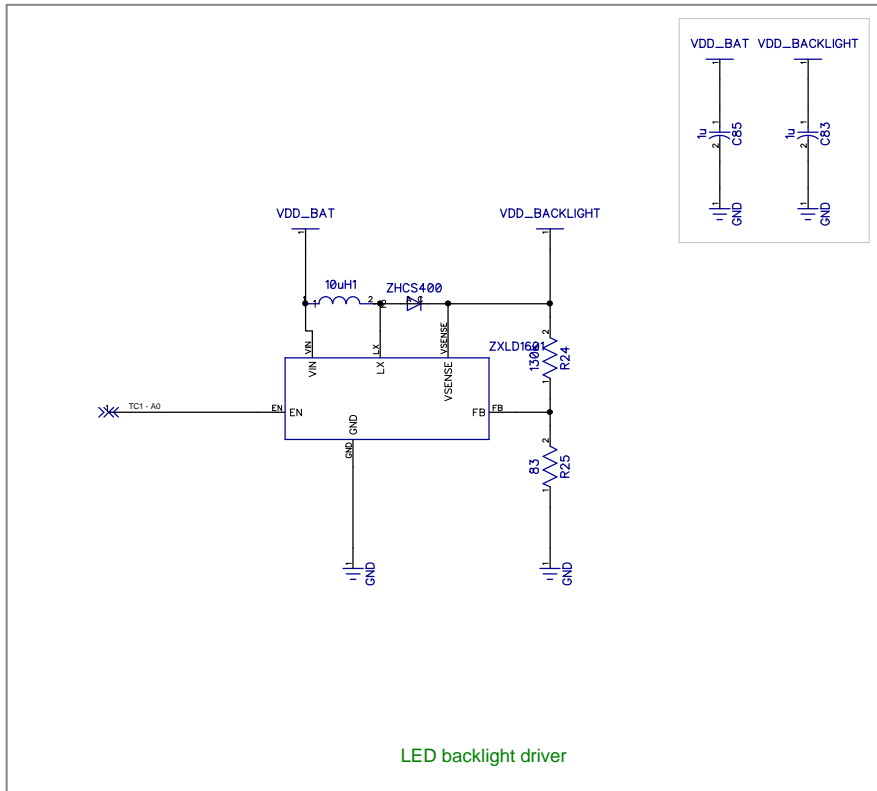
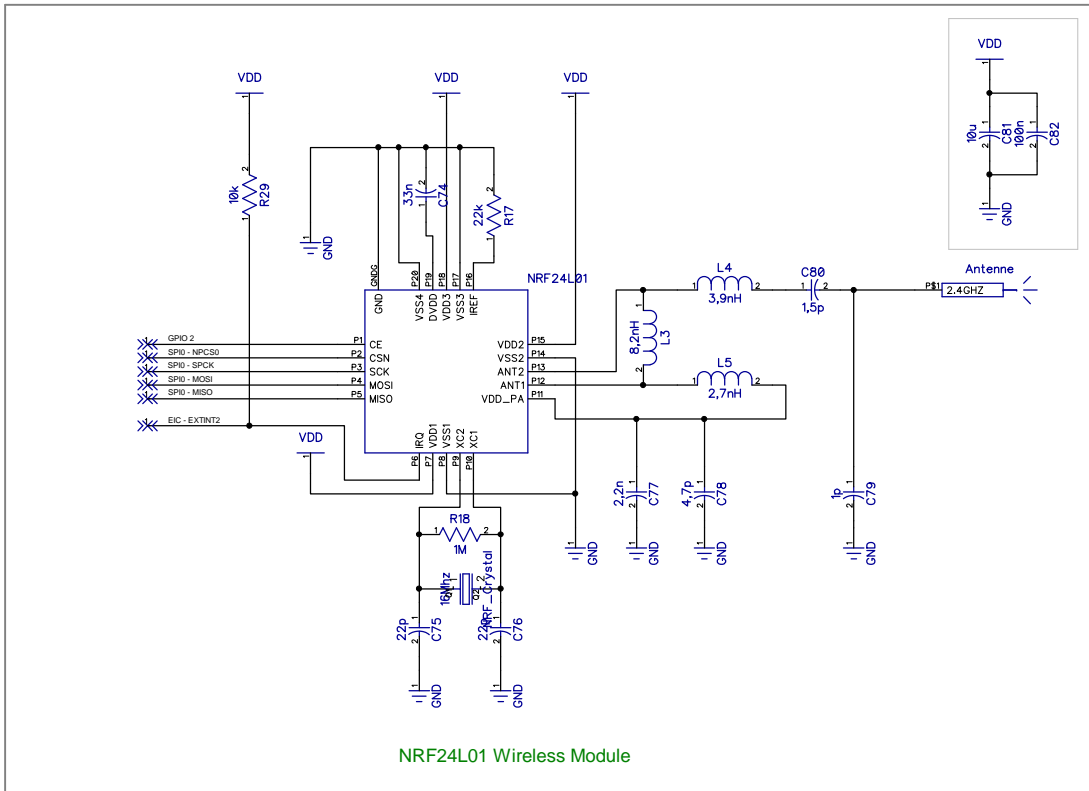
B

C

D

E

F



Quantity	NOSON HANDHELD BOARD			v2.0	
Designed by Zippi	Checked by		File name NOSON_2.0.dch	Date 27/06/10	Scale 1:1
				Edition 1	Sheet 5/5