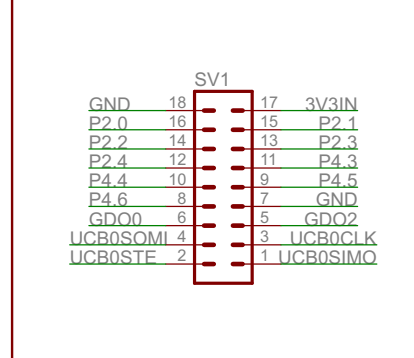
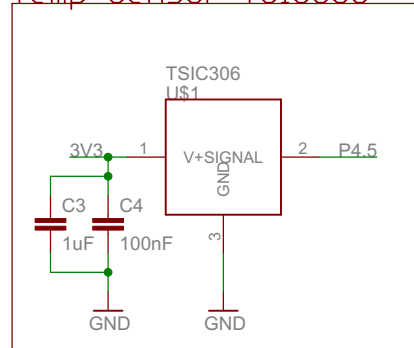


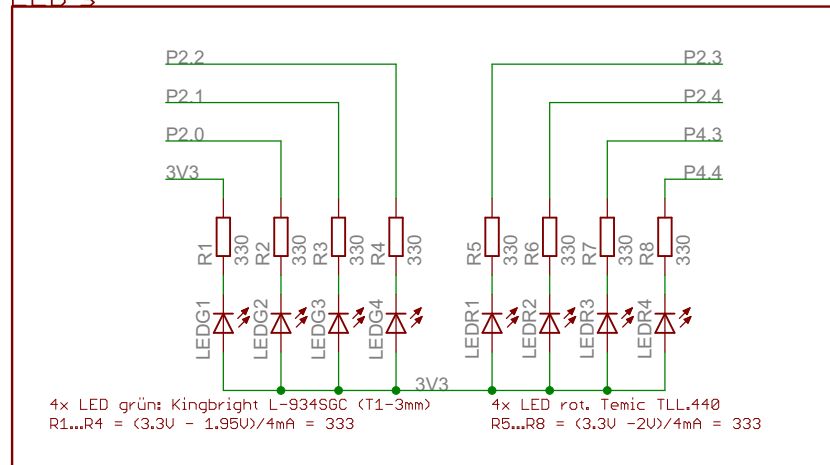
Connector to MSP-Board



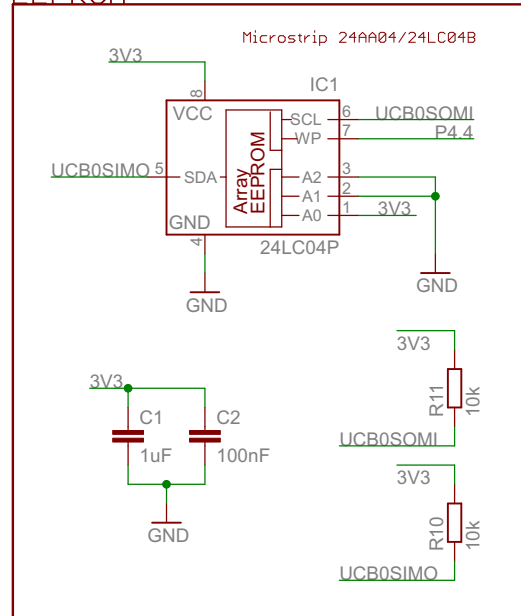
Temp-Sensor TSIC306



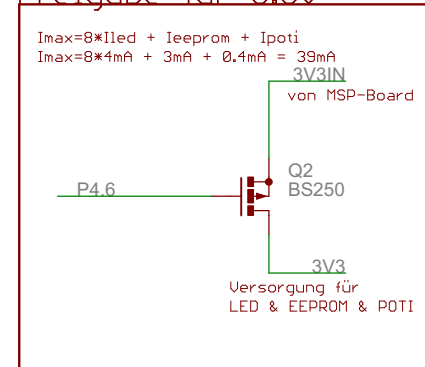
LED's



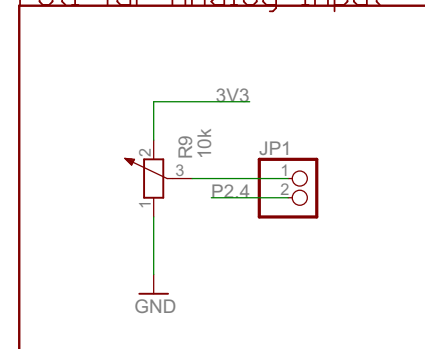
EEPROM



Freigabe für 3.3V



Poti für Analog-Input



TITLE: DebugBoard	
Document Number:	REV: v1.0
Date: 30.07.2010 18:59:30	Sheet: 1/1