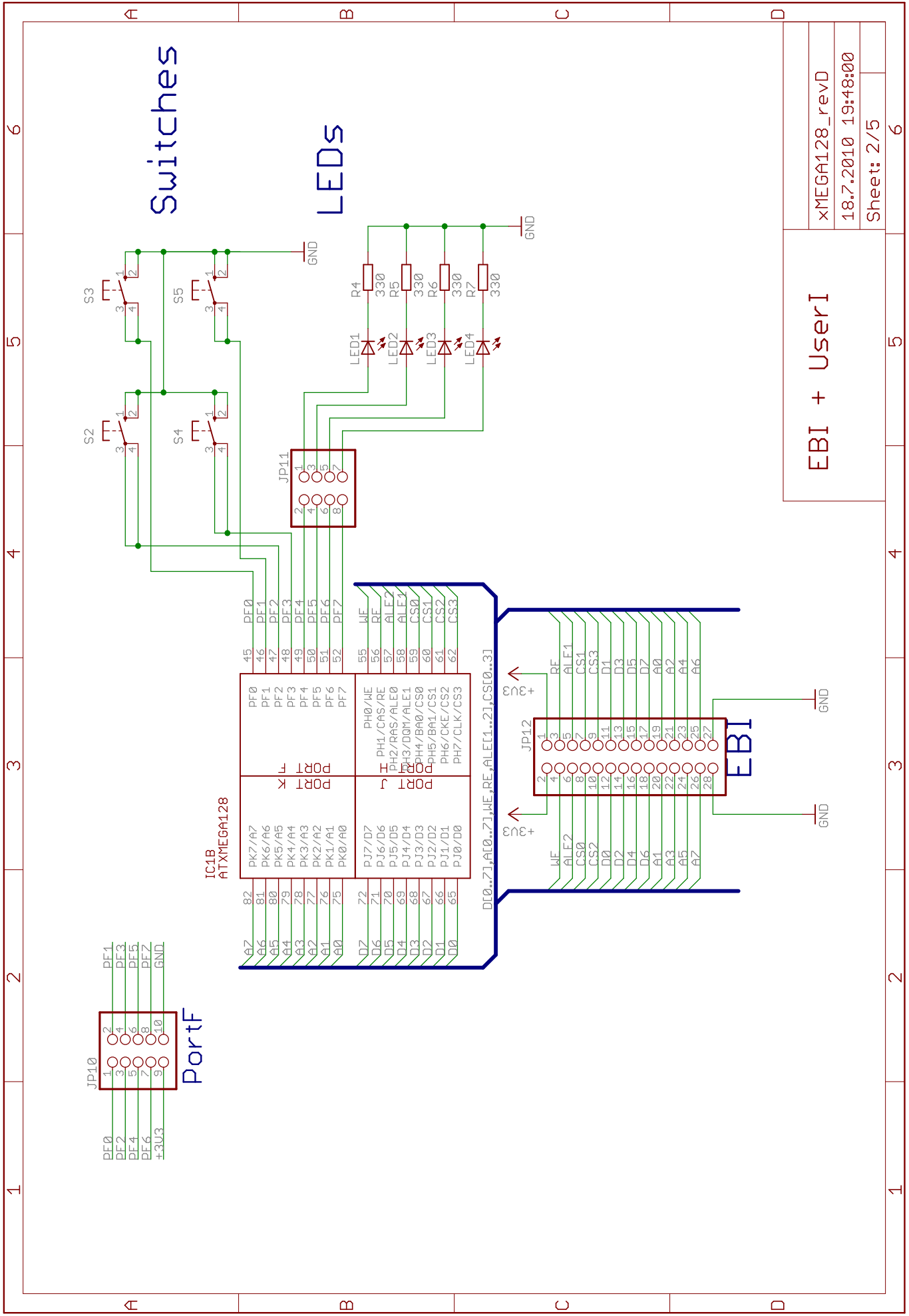


I/O + PDI	
xMEGA128_revD	
18.7.2010 19:48:00	
Sheet: 1/5	

1 2 3 4 5 6

1 2 3 4 5 6

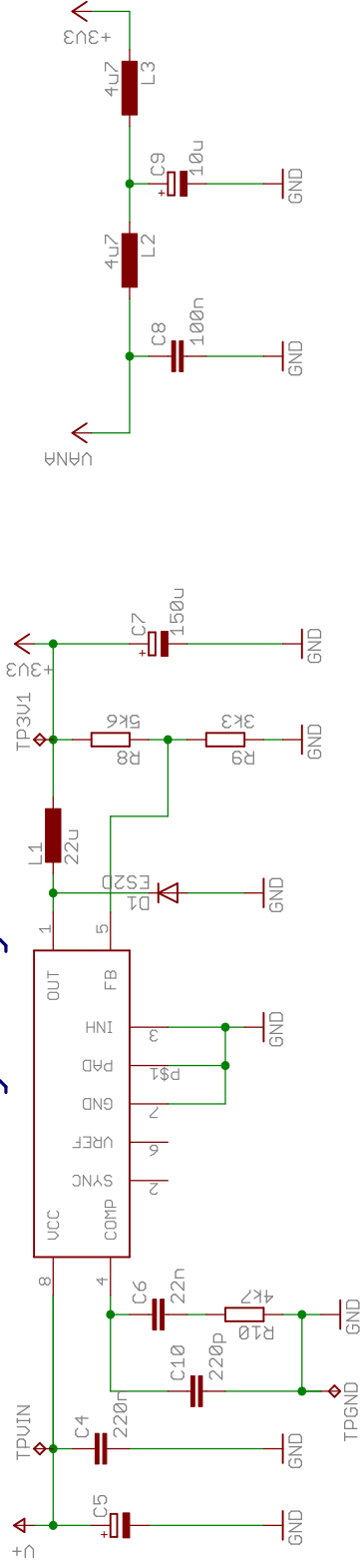


EB1 + UserI	
xMEGA128_revD	
18.7.2010 19:48:00	
Sheet: 2/5	

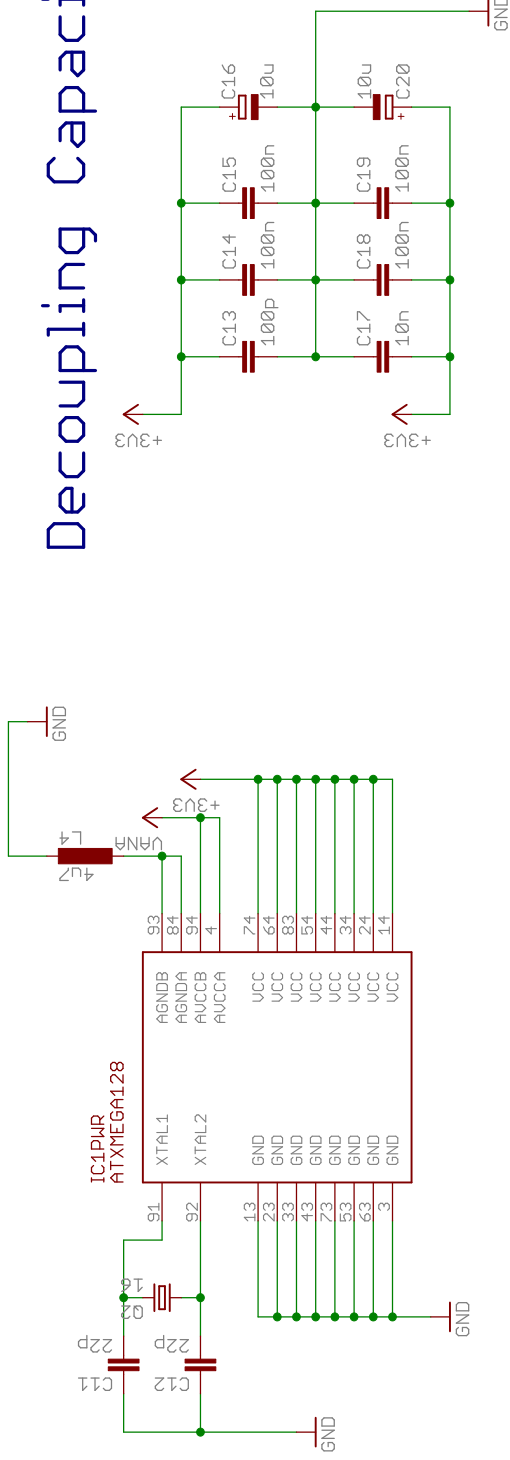
1 2 3 4 5 6

A B C D

Switching Regulator



Decoupling Capacitors



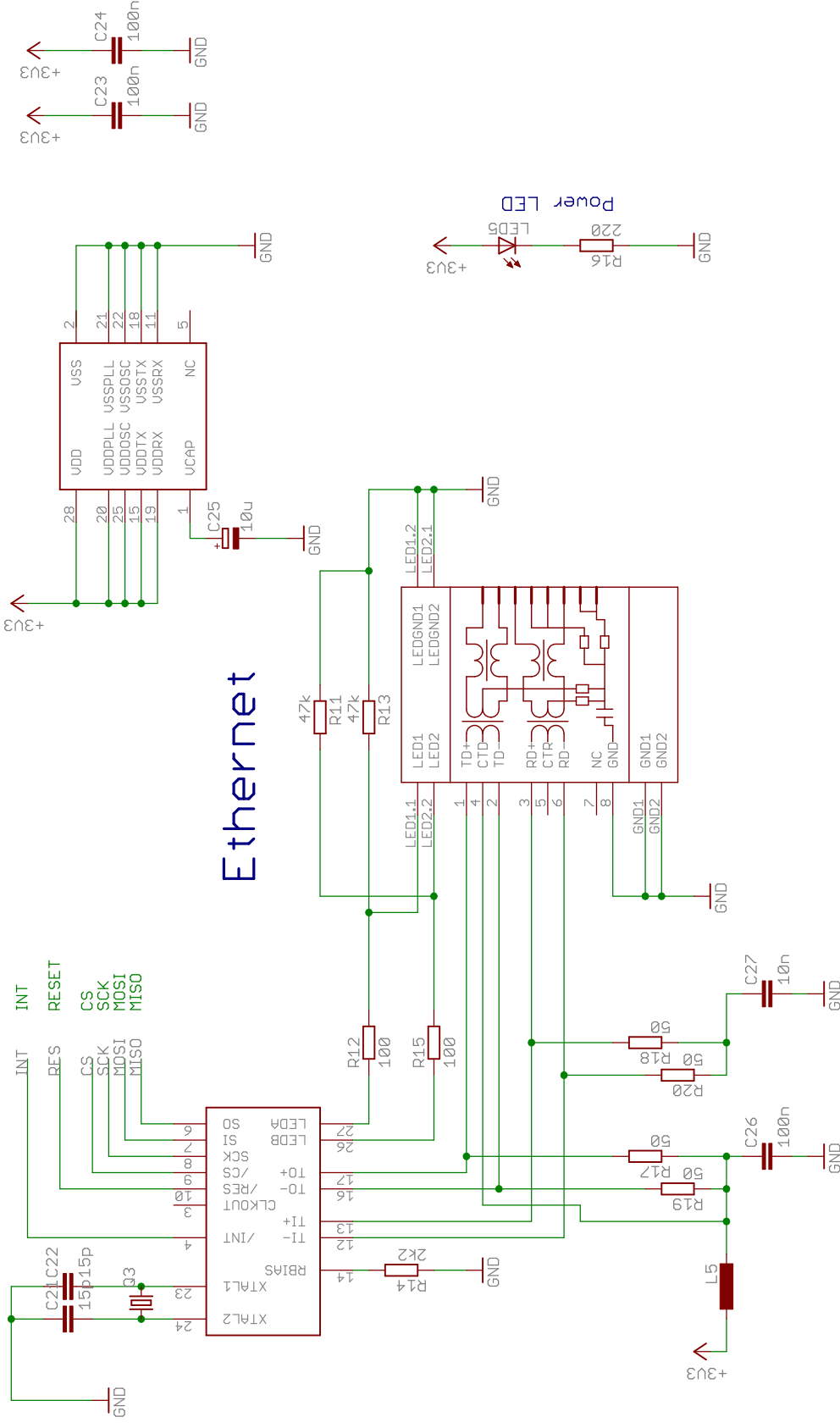
Power Supply

xMEGA128_revD

18.7.2010 19:48:00

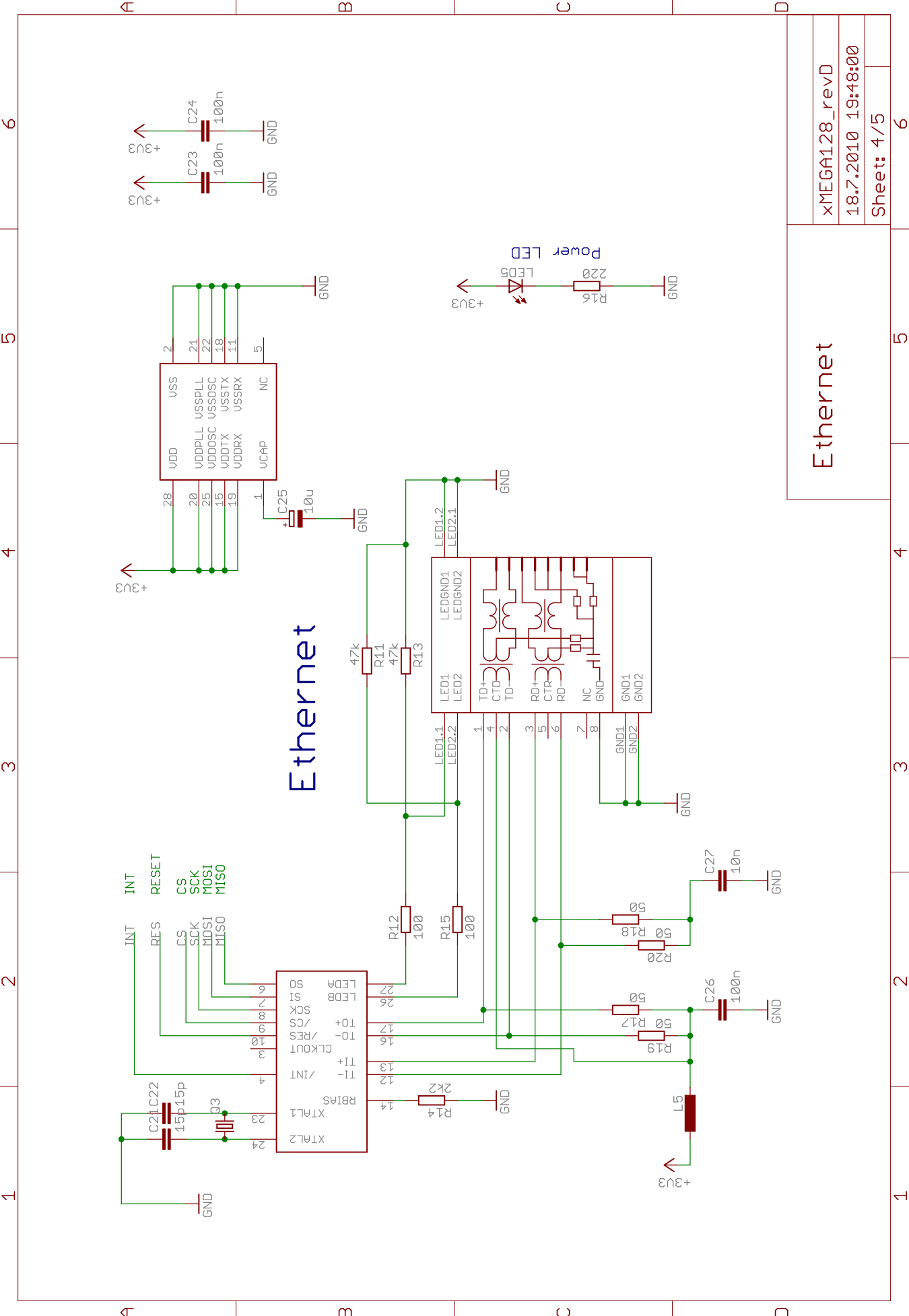
Sheet: 3/5

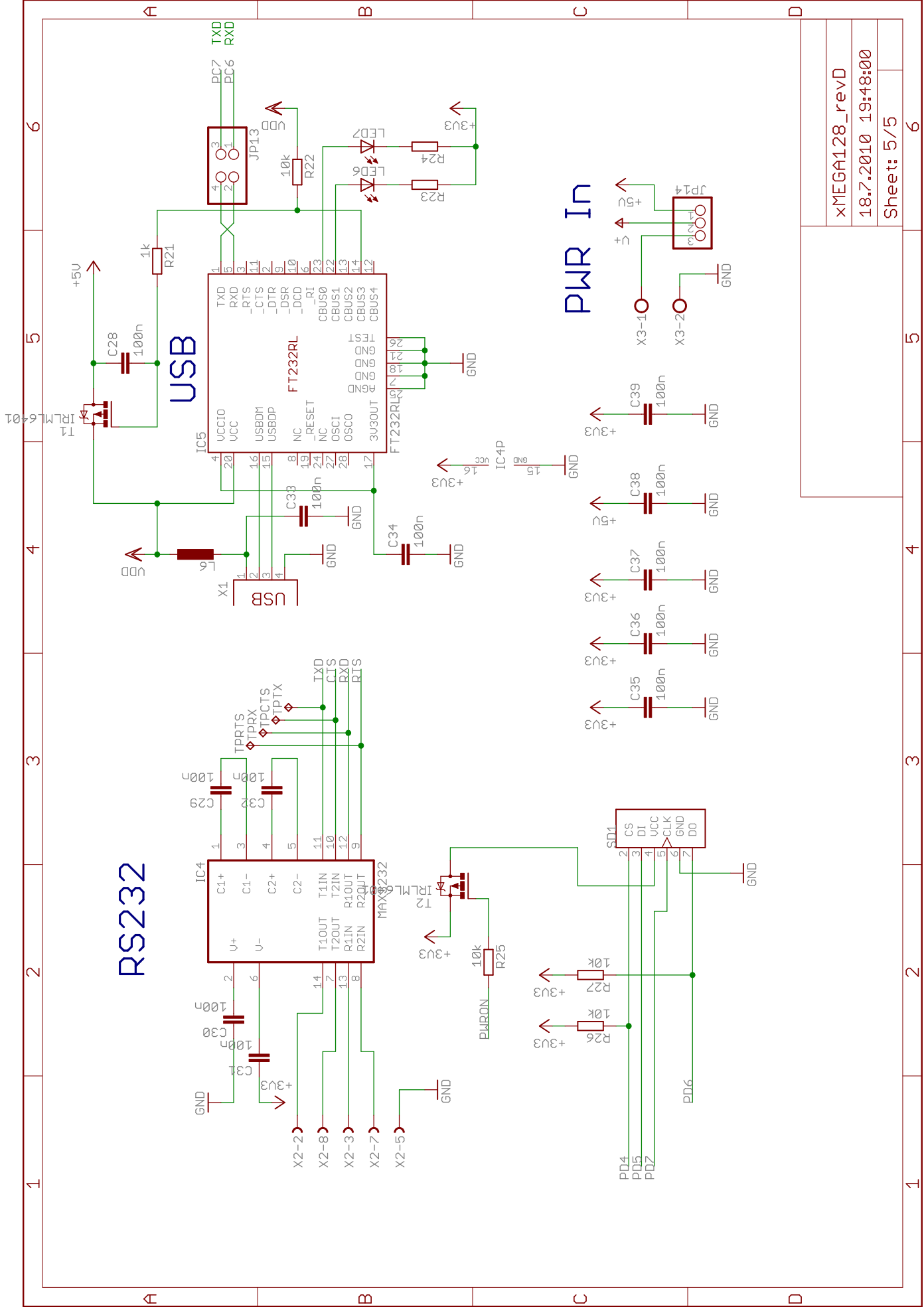
Ethernet



Ethernet

xMEGA128_revD
18.7.2010 19:48:00
Sheet: 4/5





xMEGA128_revD	6
18.7.2010 19:48:00	5
Sheet: 5/5	4

	1	2	3	4	5	6
--	---	---	---	---	---	---