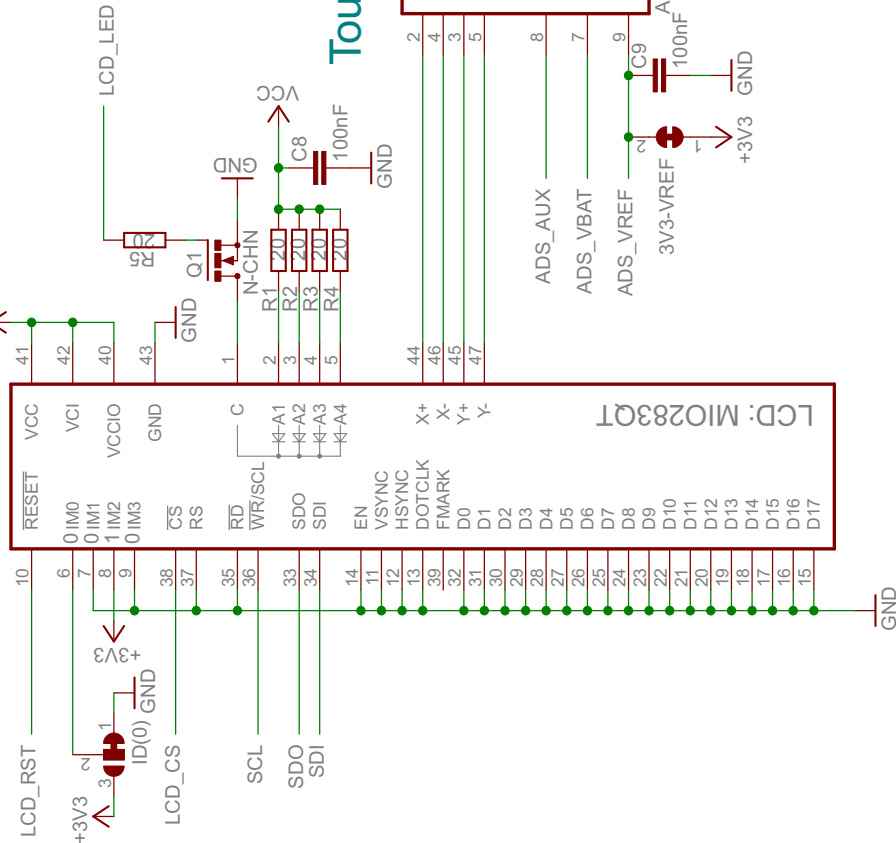
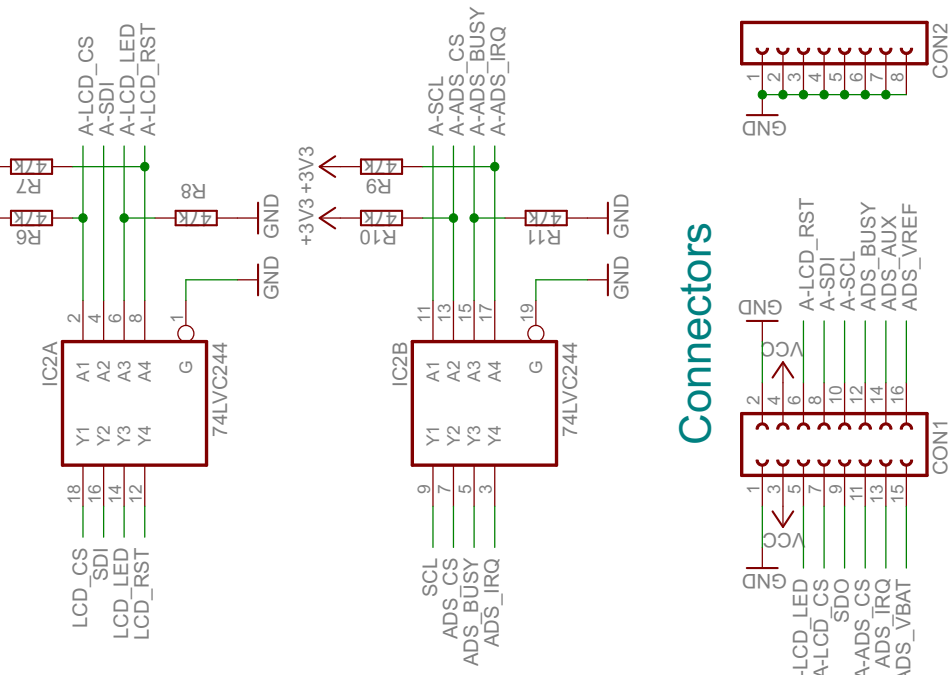


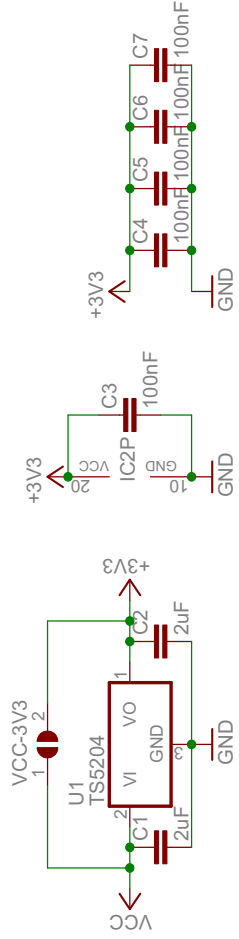
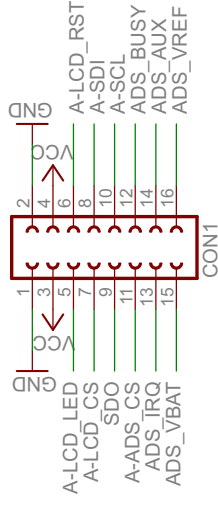
# Display



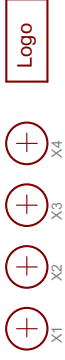
# Level Converter



# Connectors



Released under the Creative Commons Attribution Share-Alike 3.0 License  
<http://creativecommons.org/licenses/by-sa/3.0/>  
 Designed by Andreas Watterot (Watterot electronic)



MI0283QT-2\_v10

02.09.2010 20:43:30

Sheet: 1/1

6

5

4

3

2

1

6

5

4

3

2

1

A

B

C

D