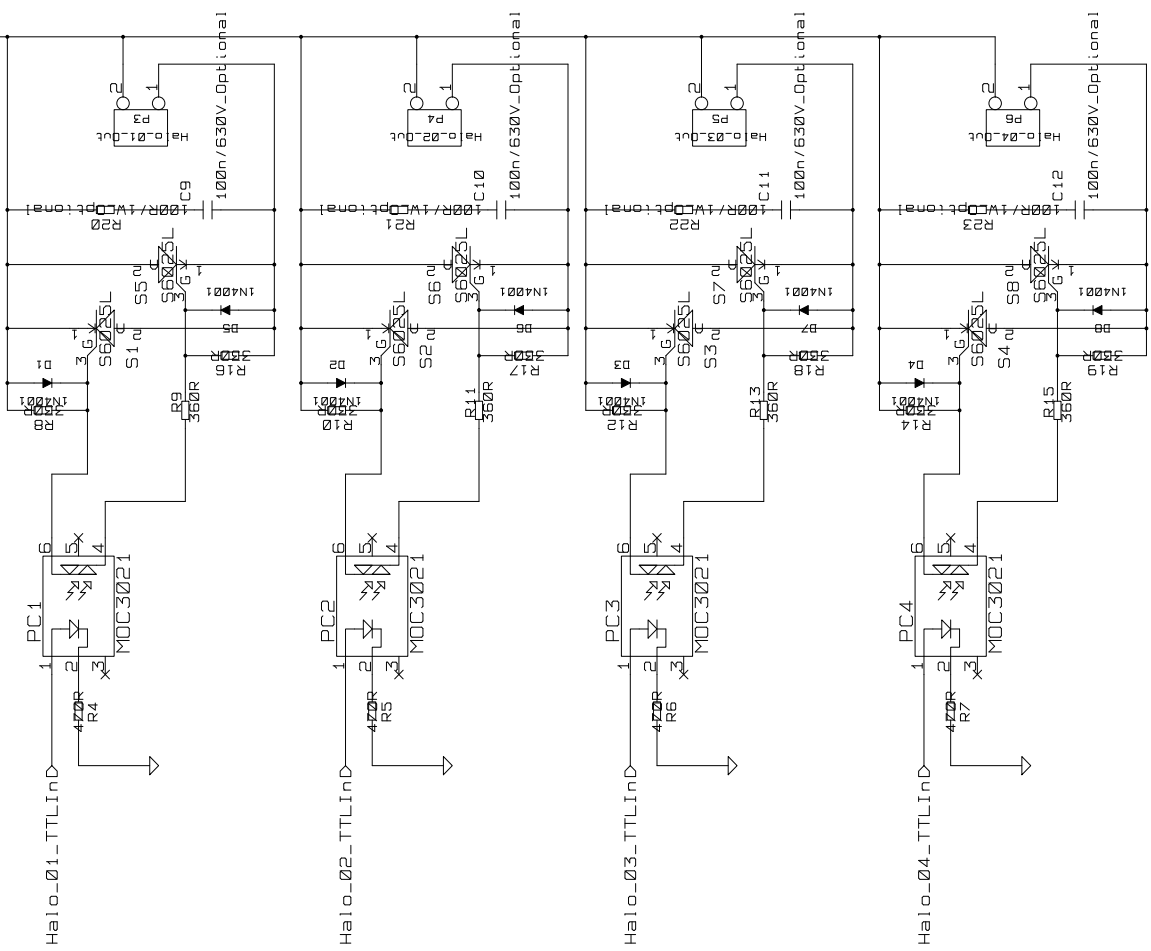


POP FLAG



File: HotSwitch-SCR.sch
 Sheet: /HotSwitch-SCR/
 Title:
 Size: A4 Date: 27 aug 2010 Rev:
 KiCad E.D.A. Id: 717