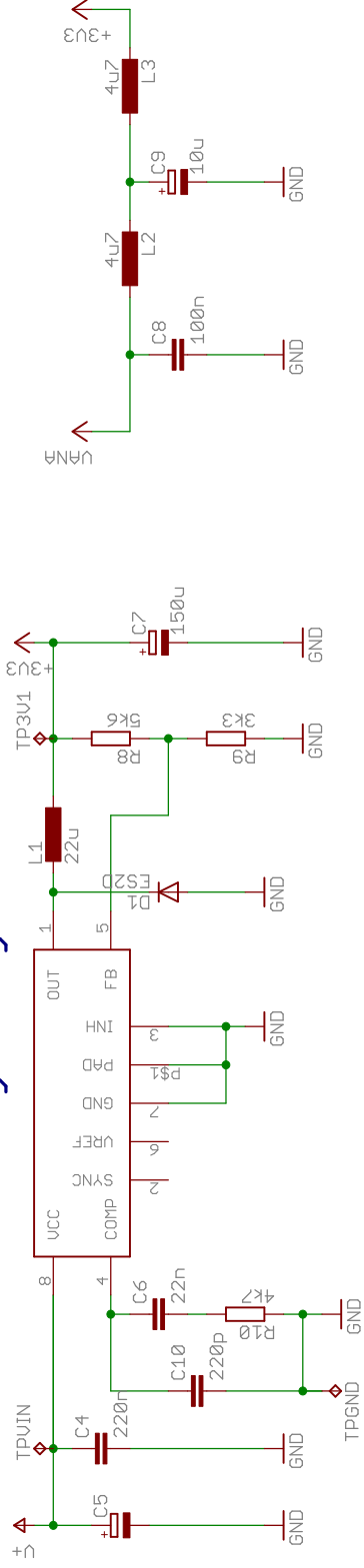


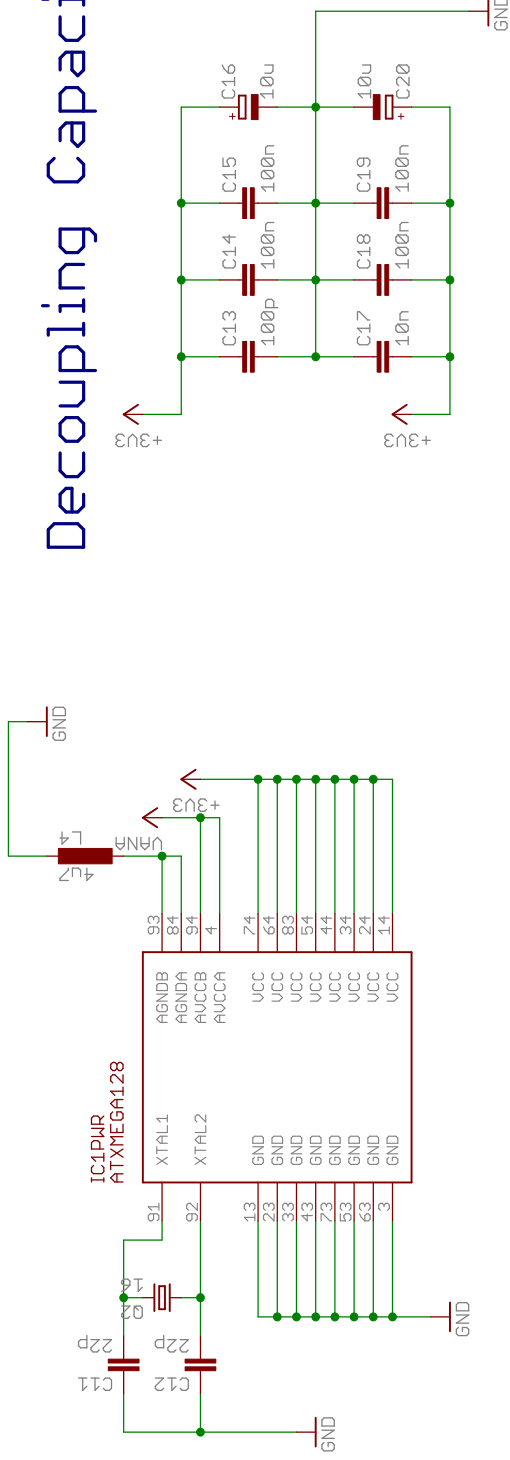
1 2 3 4 5 6

A B C D

Switching Regulator



Decoupling Capacitors

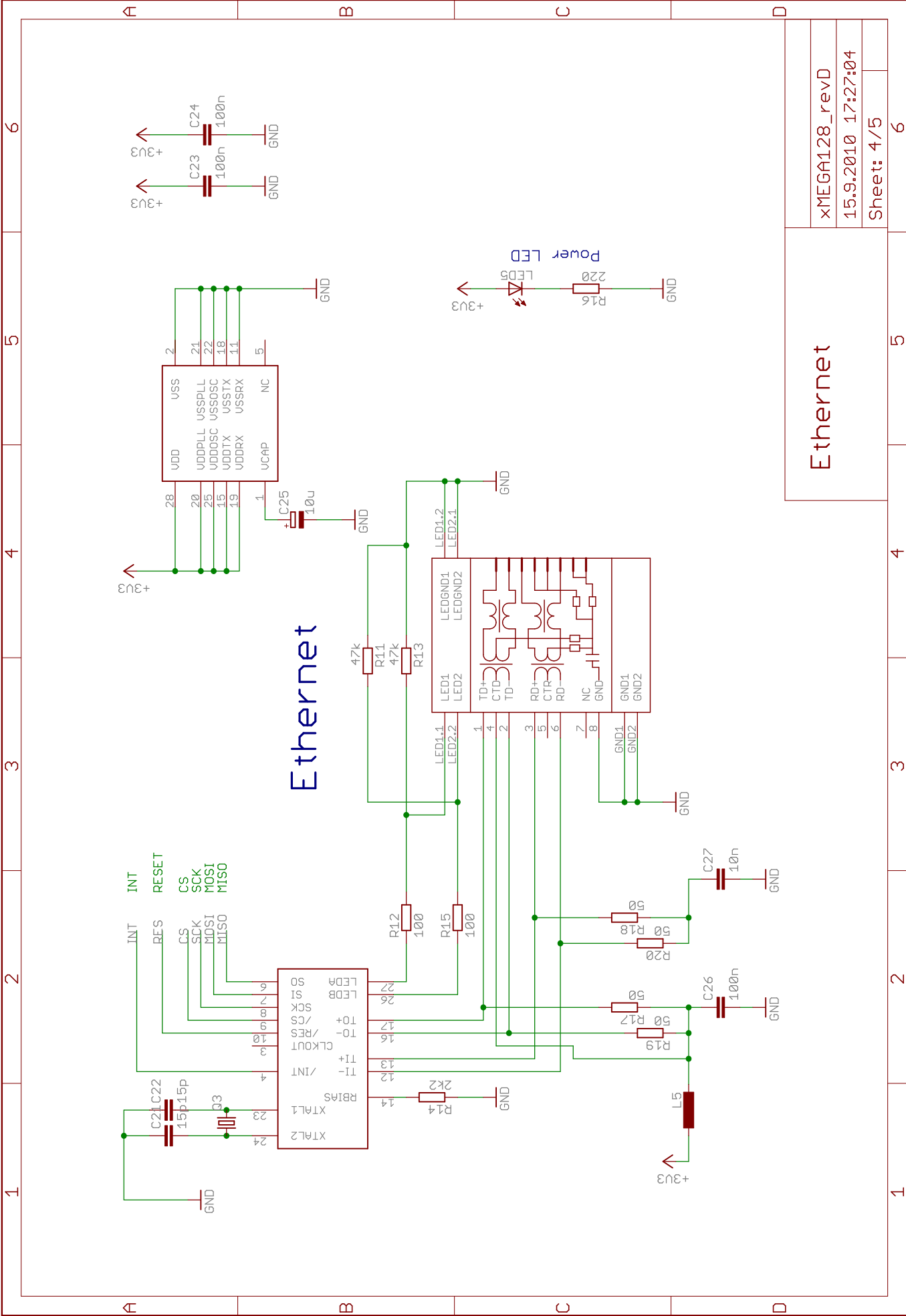


Power Supply

xMEGA128_revD

15.9.2010 17:27:04

Sheet: 3/5



Ethernet	
xMEGA128_revD	
15.9.2010 17:27:04	
Sheet: 4/5	

