



? Life in 8 bits

Placed by: majkeloak

Placed Date: 10/26/2006

N 59° 20.867 E 018° 04.375

UTM: 34V E 333566 N 6582437

Size: (Regular)

Difficulty: ★★★★★

Terrain: ★★☆☆☆

Log Counts: 70 Found it 10 Write note 1 Publish Listing

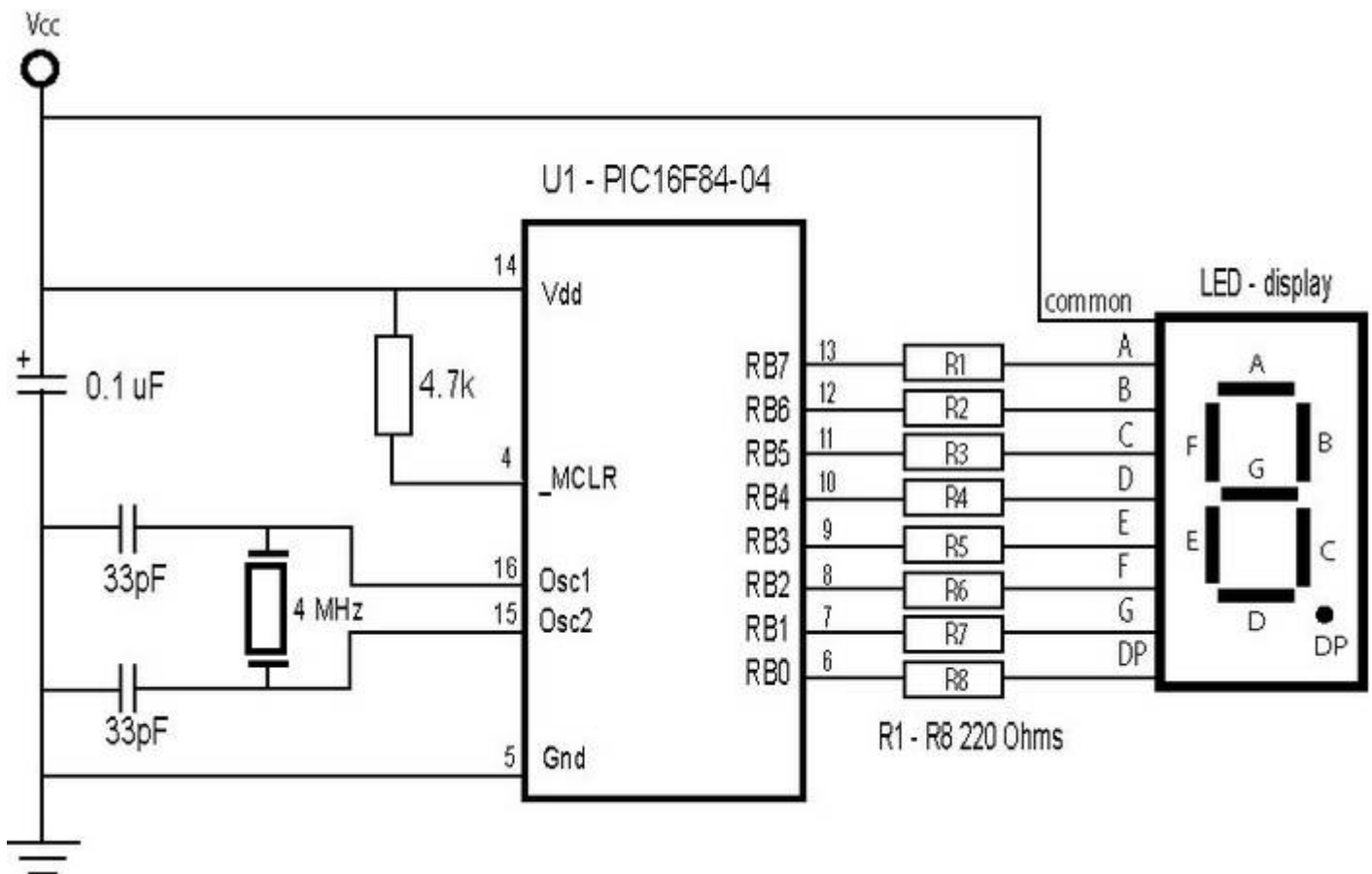
Please note: To use the services of geocaching.com, you must agree to the terms and conditions [in our disclaimer](#).

▼ Short Description [\[Hide Images\]](#)

The Coordinates above will not take you to the cache, but to a place where you can learn how to get the correct numbers.
!-----!

Koordinaterna ovan tar dig inte till cachen, men till en plats där du kan finna den kunskap som behövs för att få fram de rätta siffrorna.

▼ Long Description [\[Hide Images\]](#)



Memory Content:

```

0903 30FF0086 0085 1683 0186 3007 0085
1283 018E2019 2019 3000 0086 2019 080E
0A8E2024 3AFF0086 1903 2817 280A 018E
280A 30FF008C 008D 038C 1903 038D 080C
040D 1D03 281C 0008 0782 3413 3449 3419
3439 3425 3403 34FE 3419 3449 3499 3461
349F 3401 3439 3403 3499 34FE 3425 3419
340D 34FF 3FFF 3FFF 3FFF 3FFF 3FFF 3FFF

```

The device described above will, when power is connected, present the exact coordinates of the cache.

Now it is time to heat up your electronic soldering iron... Or maybe it is easier to stay on a theoretical level and pretend that you are the device...