

1. Basic Specifications

1-1 Display Specifications

(1) FTN Mode Positive Display type Reflective Model

(2) Display Color #1)

Display Color : Display Data"1" : Black
Background Color : Display Data"0" : White

(3) Viewing Angle : 6 O'clock direction

(4) Driving Duty : 1/240 Duty

#1) Color tone is slightly changed by temperature and driving voltage.

1-2 Mechanical Specifications

(1) Outline Dimensions : Refer to attached Outline Dimensions figure TD-170570

(2) Dot Matrix : 320 dots × 240 dots

(3) Dot Size : 0.27 (W) × 0.27 (H) (mm)

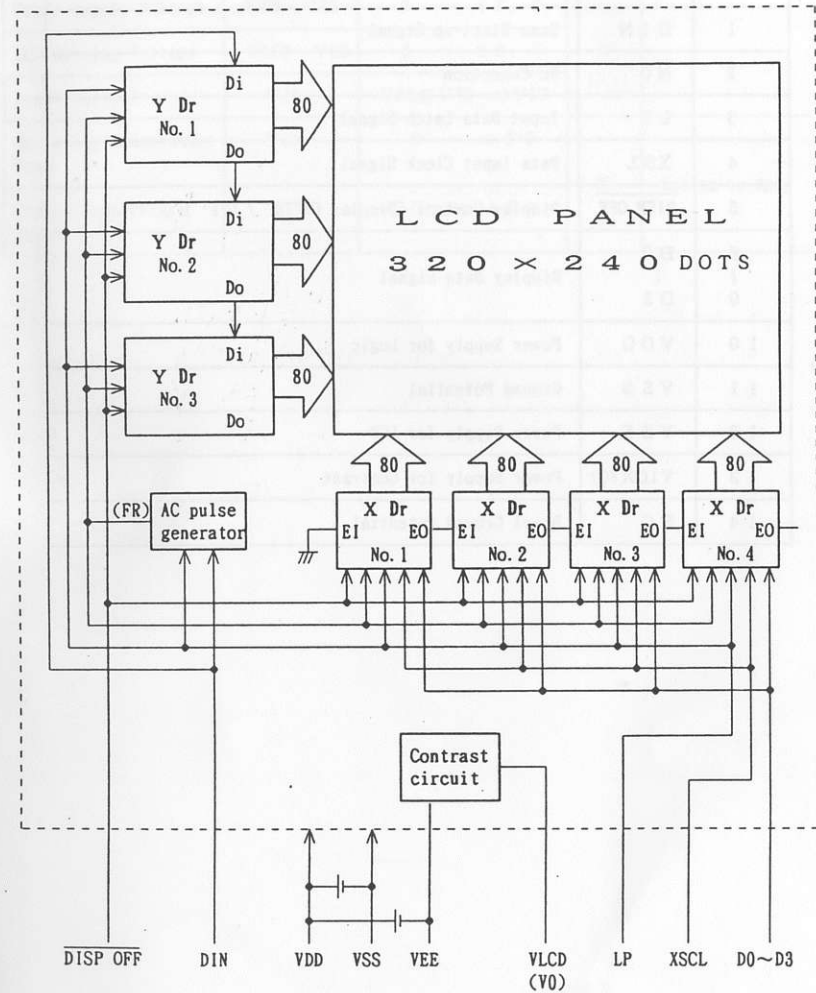
(4) Dot Pitch : 0.30 (W) × 0.30 (H) (mm)

(5) Weight : Typ. 155 (g)

SEIKO EPSON CORPORATION

Sheet Code 11-00000034

Fig. 3 Block Diagram



SEIKO EPSON CORPORATION

Sheet Code 12-00000025-A