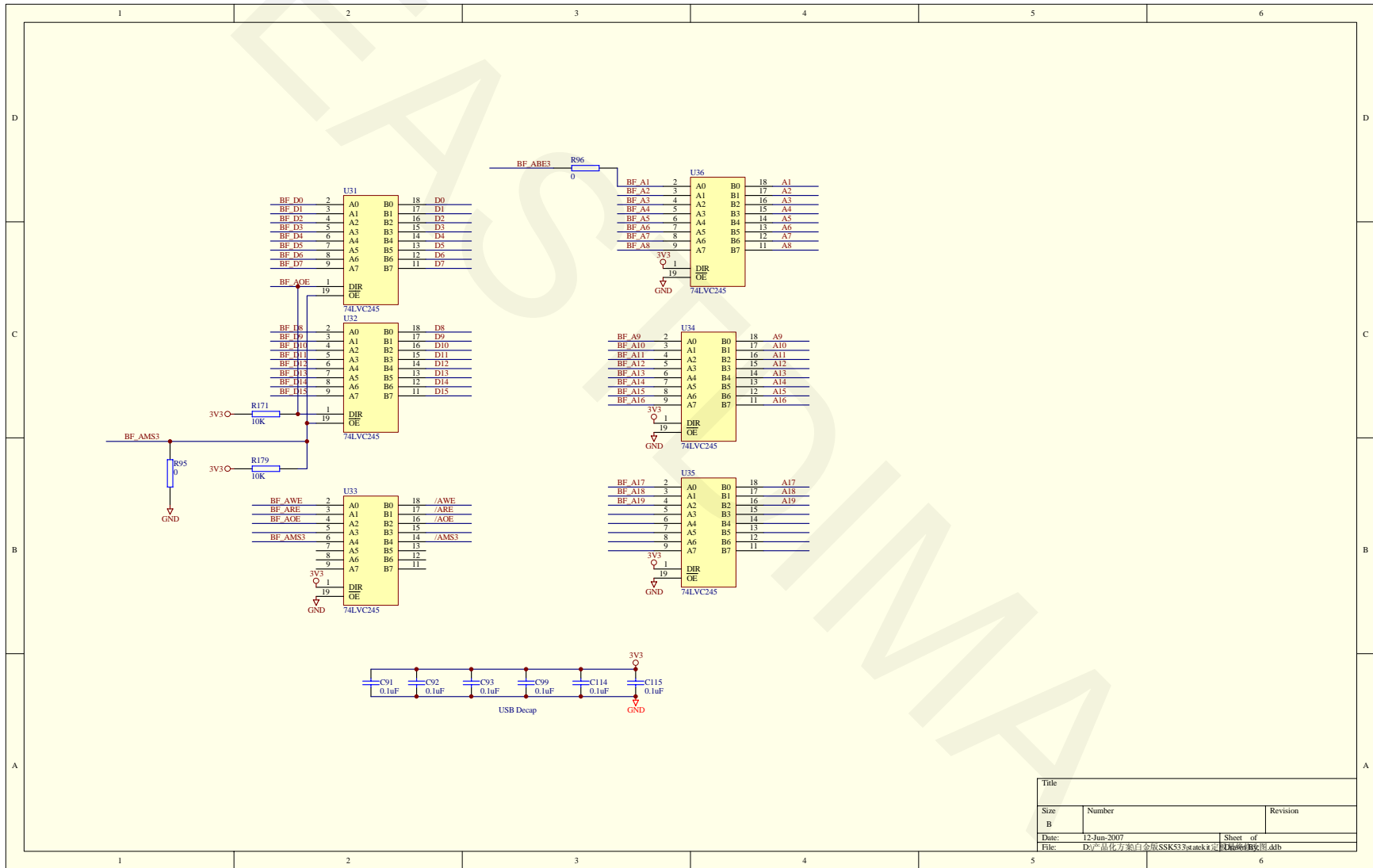
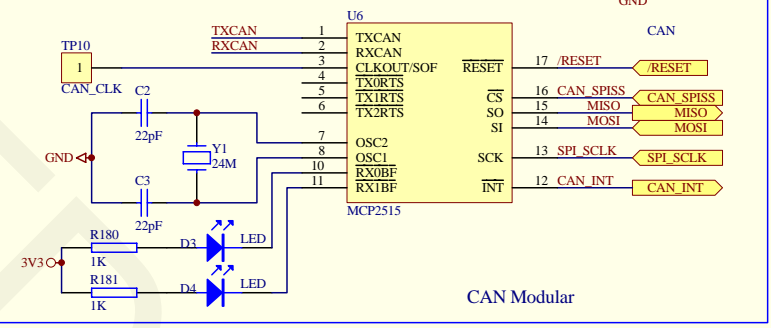
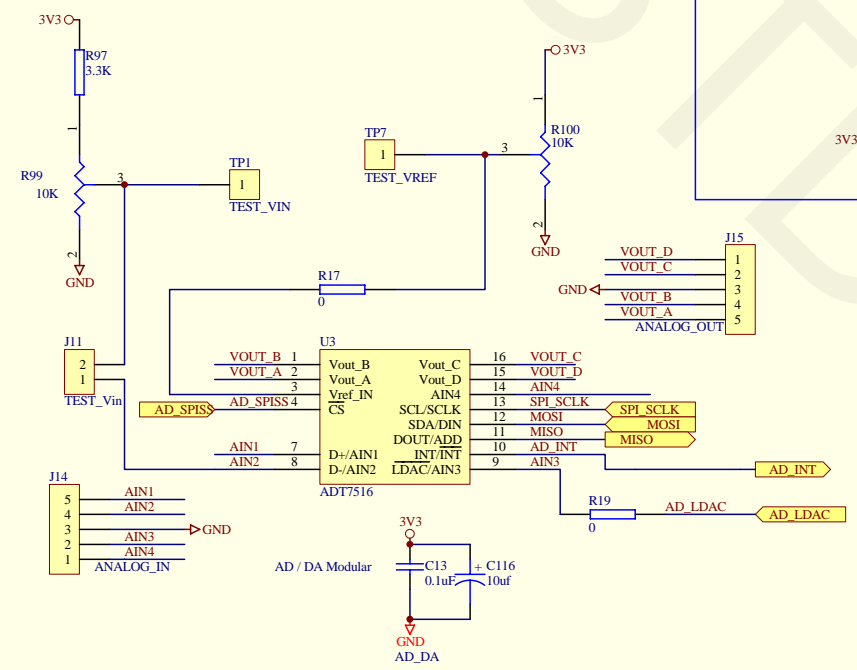
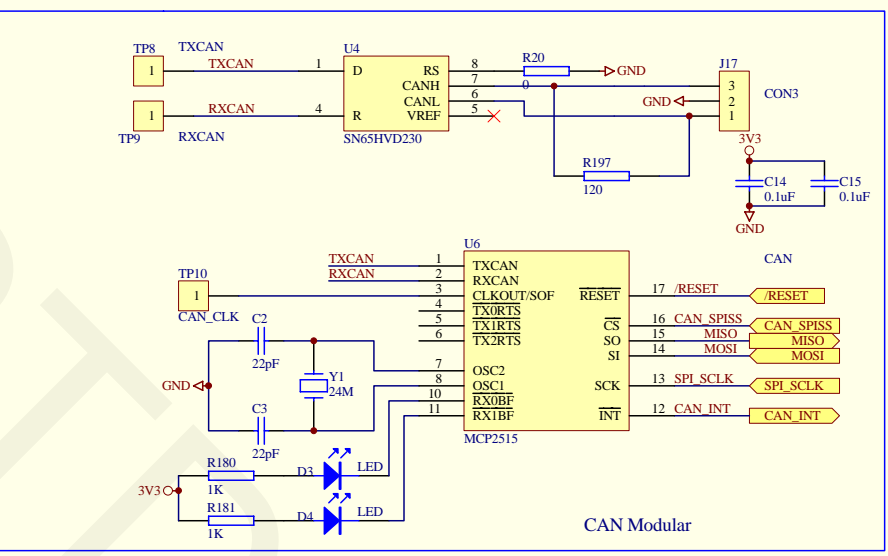
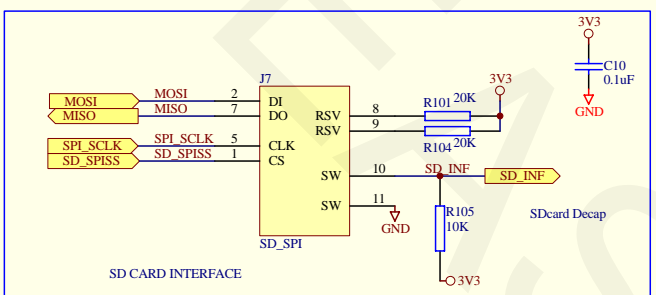


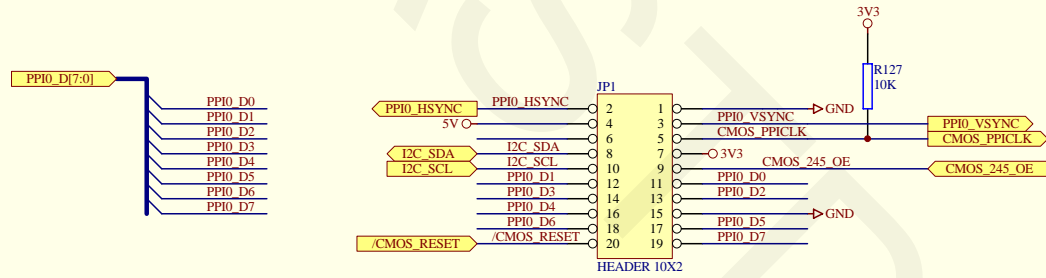
Title			BF533EduKit_Extender
Size	Number	Revision	V1.0
A3	2		
Date:	12-Jun-2007	Sheet of	16
File:	D:\产品\白盒\SSK533\3rd\kit\板图\板图.kib		



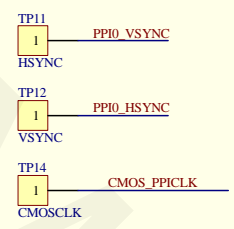
Title		
Size	Number	Revision
B		
Date:	12-Jun-2007	Sheet of
File:	D:\产品化方案\白金版SSK53\statec\定制\USB\PCB.dtb	



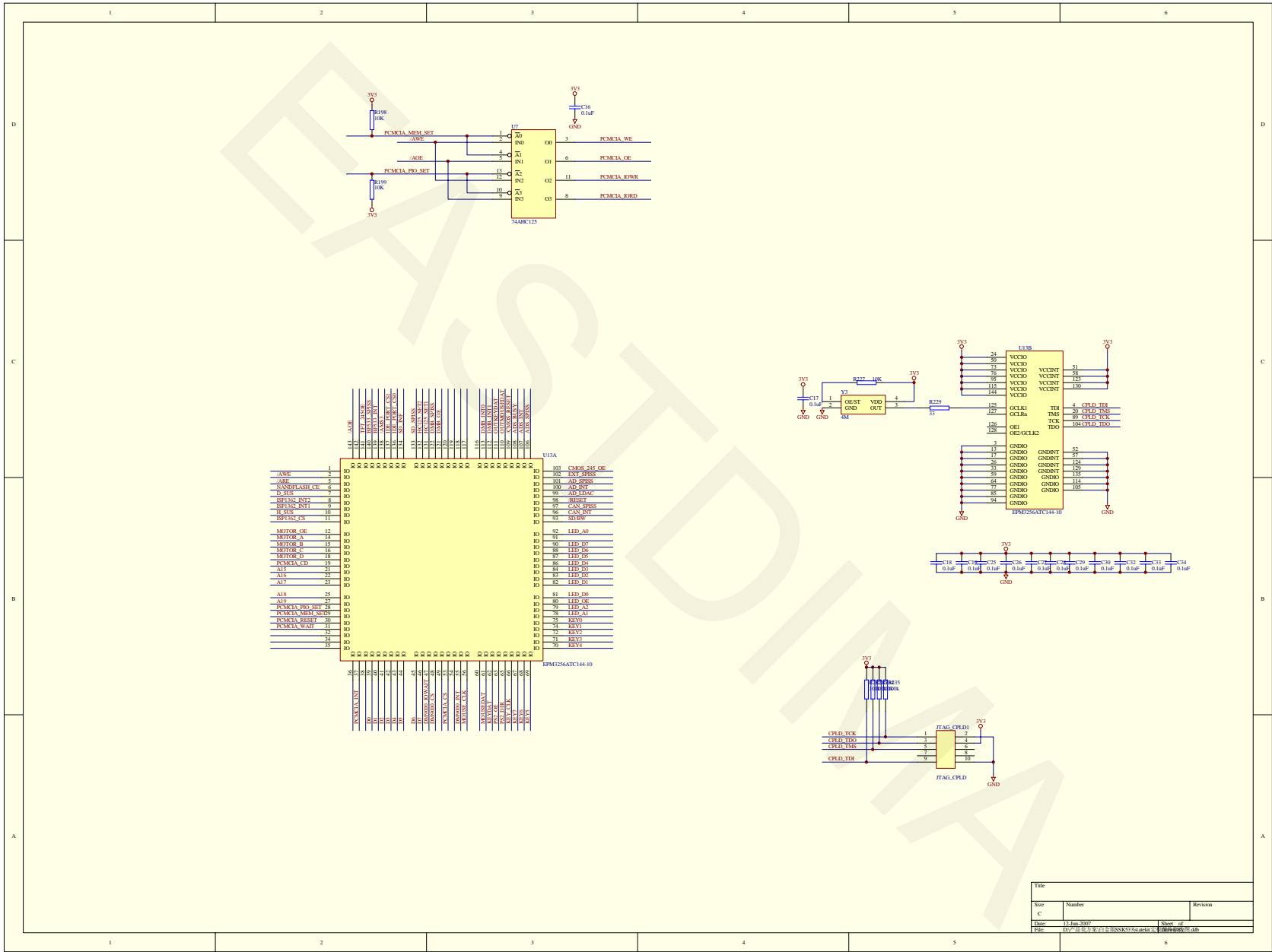
Title		
BF533EduKit_CAN_SD_AD/DA		
Size	Number	Revision
A4	3	V1.0
Date:	12-Jun-2007	Sheet of 16
File:	D:\产品化方案\白金版SSK533\statekit\定制板图\图.dwg	



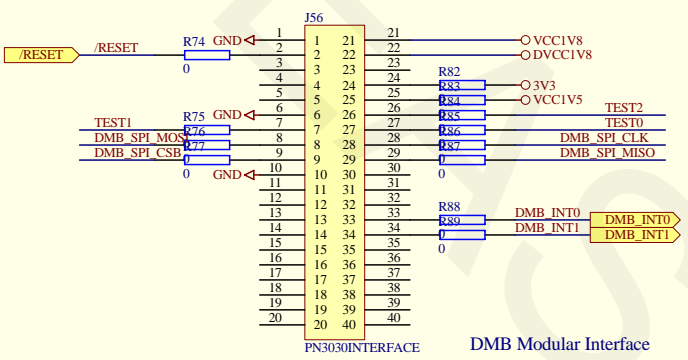
CMOS时钟由子卡提供



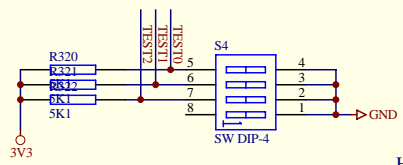
Title			BF533EduKit_CMOS		
Size	Number			Revision	
A4	4			V1.0	
Date:	12-Jun-2007	Sheet of	16		
File:	D:\产品化方案\白金版SSK533\statekit\定图\图.ddb				



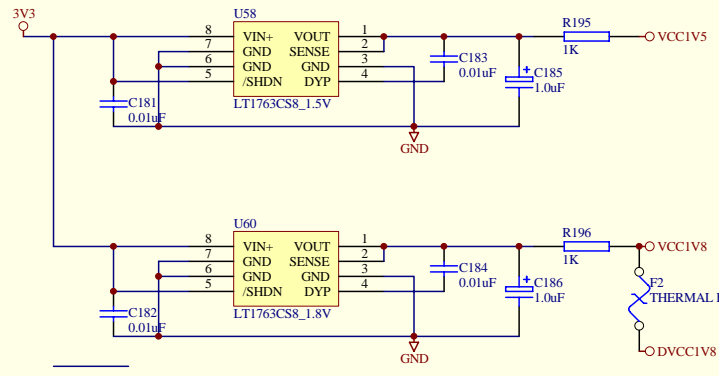
Title		
Size	Number	Revision
c		
Date:	12-Jan-2007	Sheet of
File:	D:\HW\PCB\PCB112\BSSK537a.msk112	16



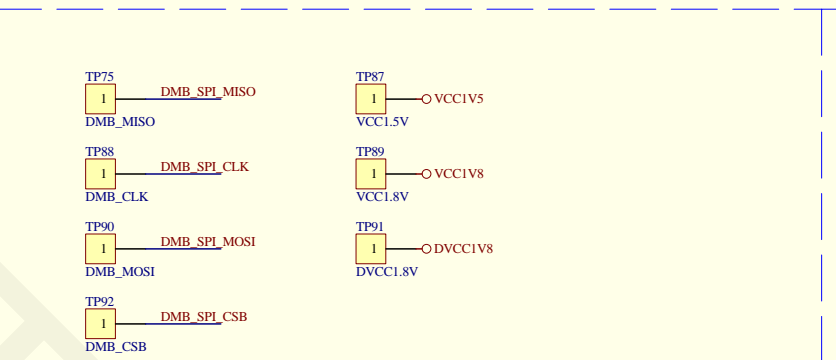
DMB Modular Interface



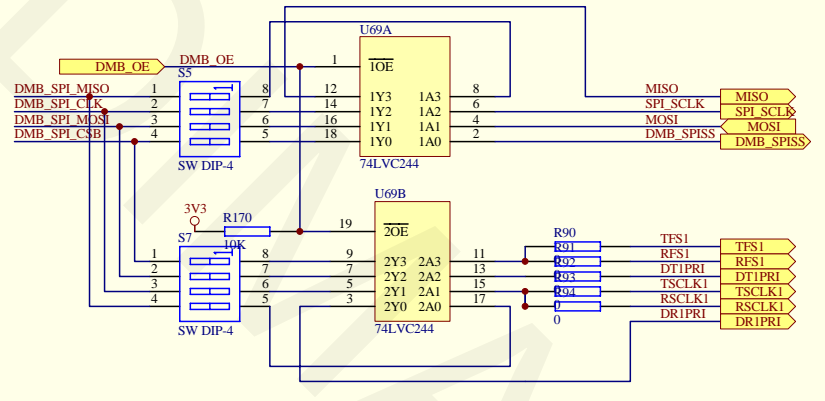
Host Interface Mode Selection



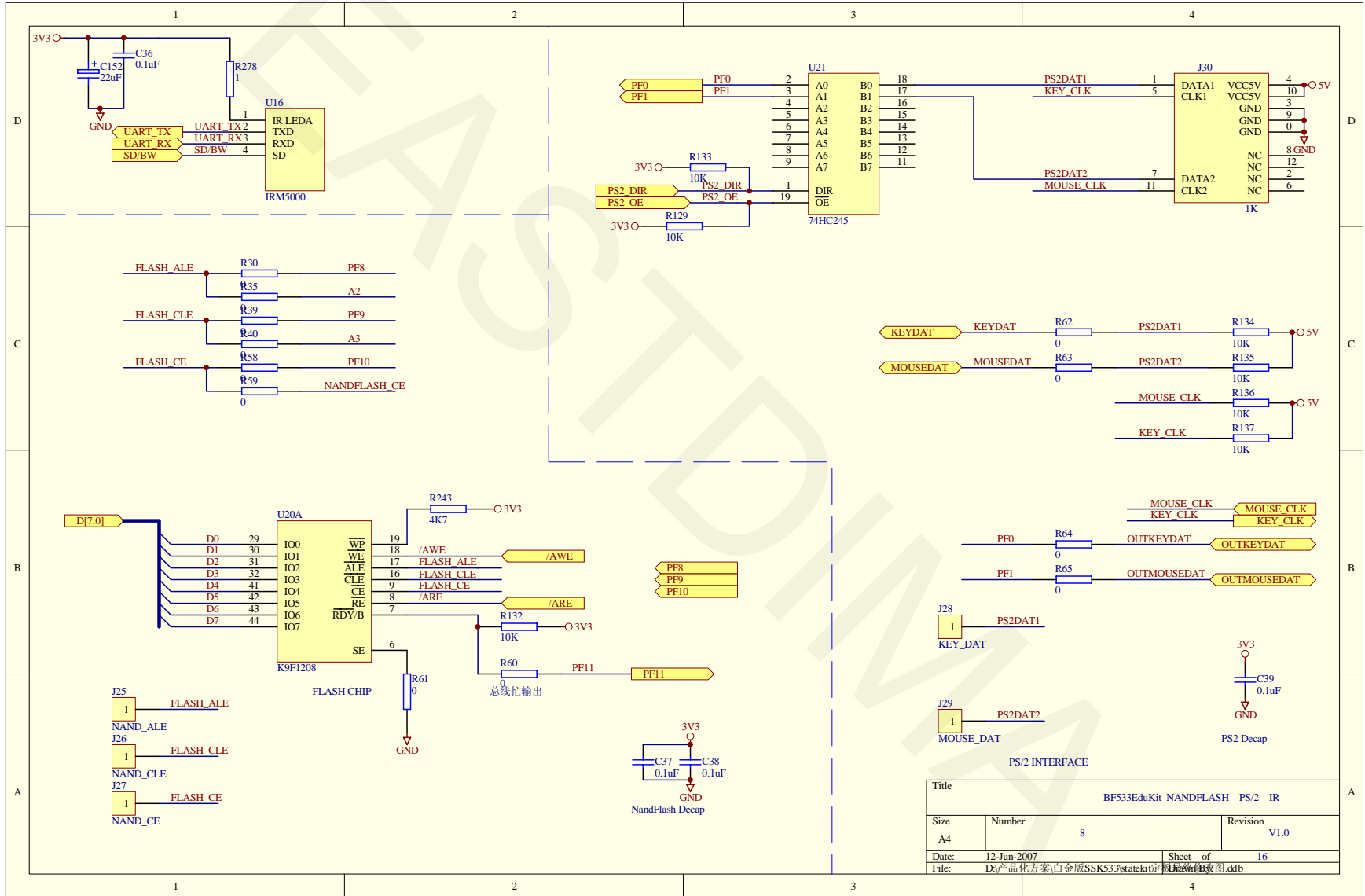
Power Modular

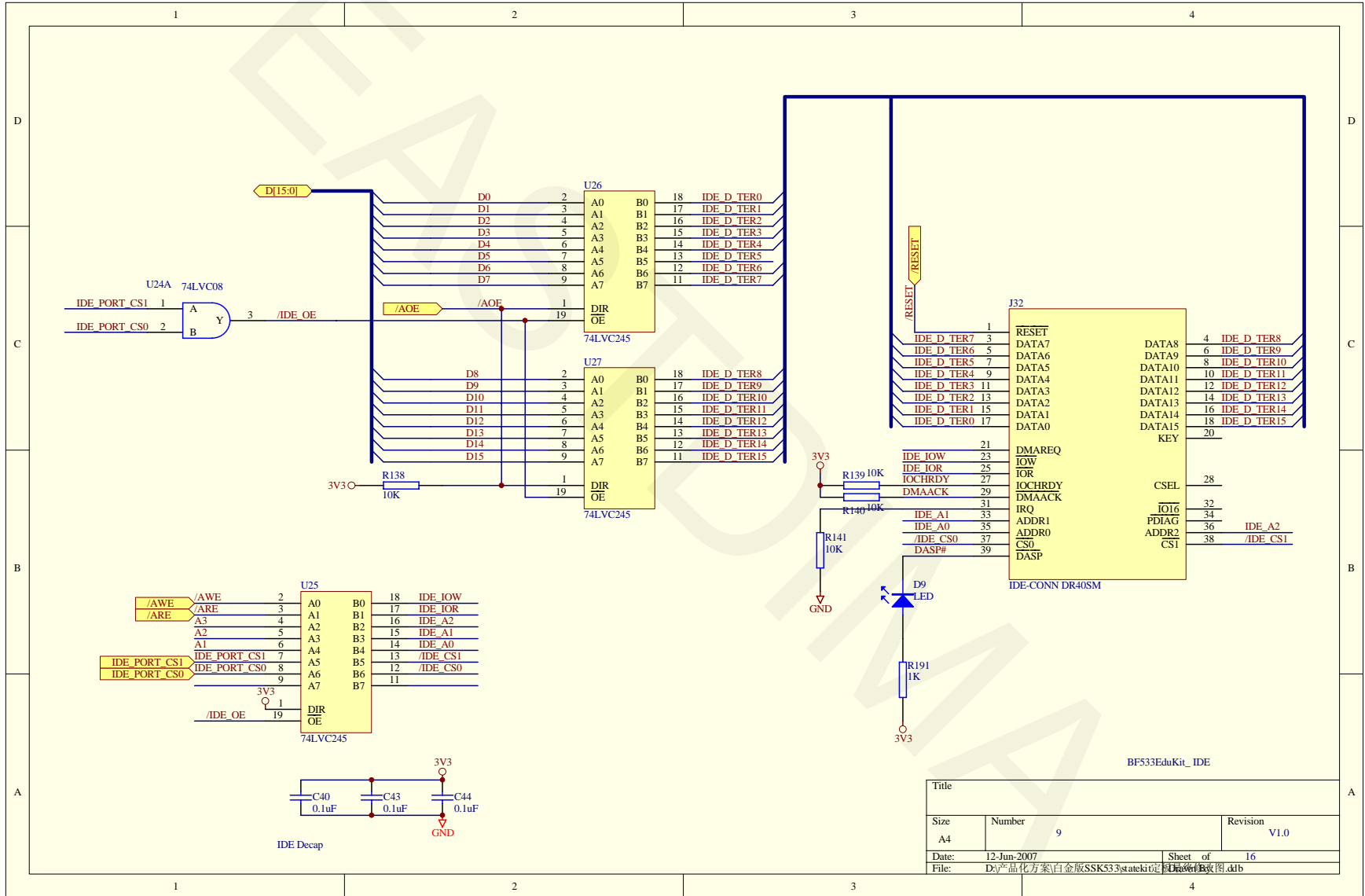


Sports/SPI interface Selection 2  
1. SPI Master(Blackfin)  
2. Sports(Intern Frame Sync mode)



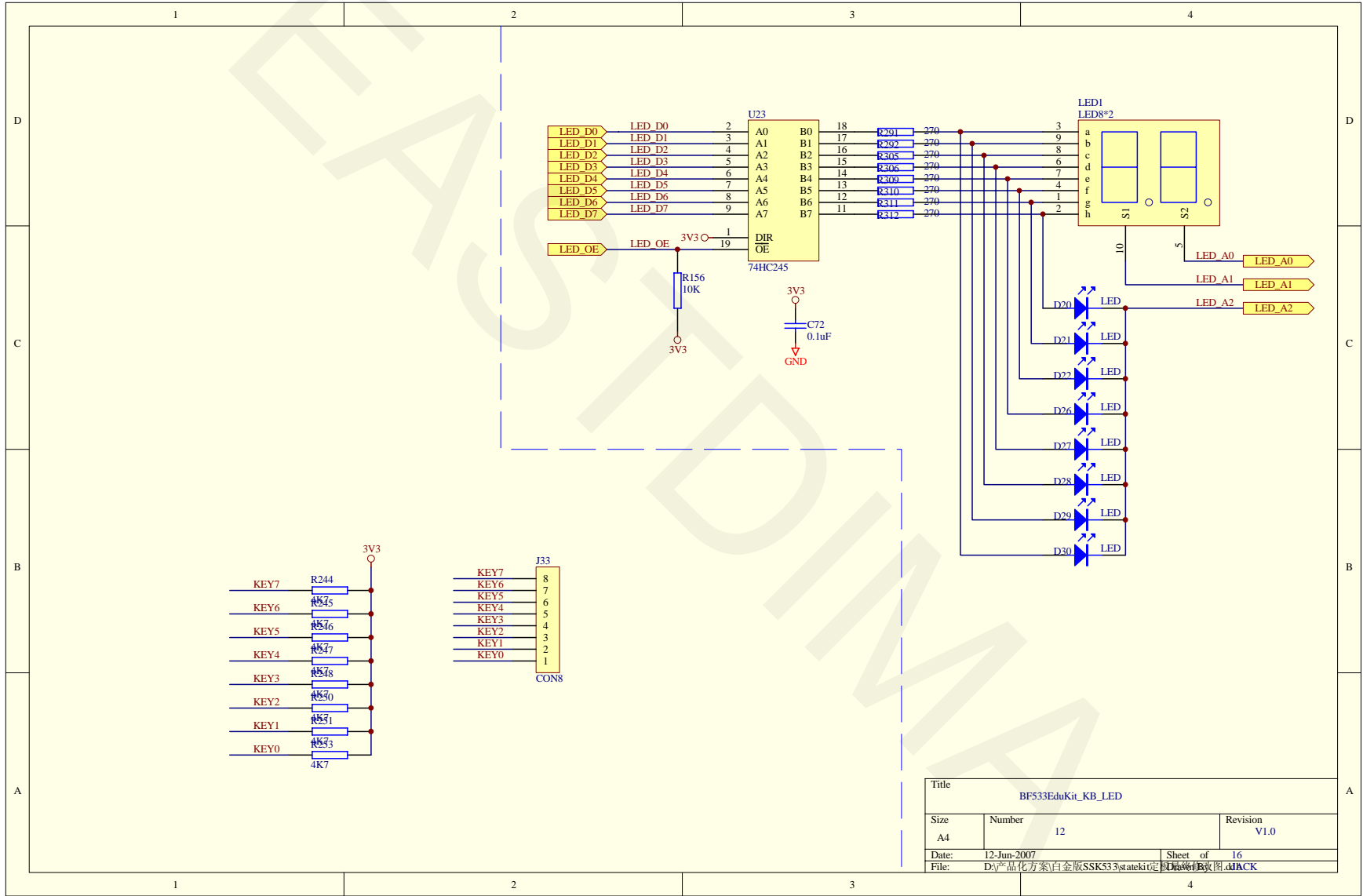
Title		
Size	Number	Revision
A4		
Date:	12-Jun-2007	Sheet of
File:	D:\产品化方案\白金版SSK533\stateki\定图\图.dwg	1/1



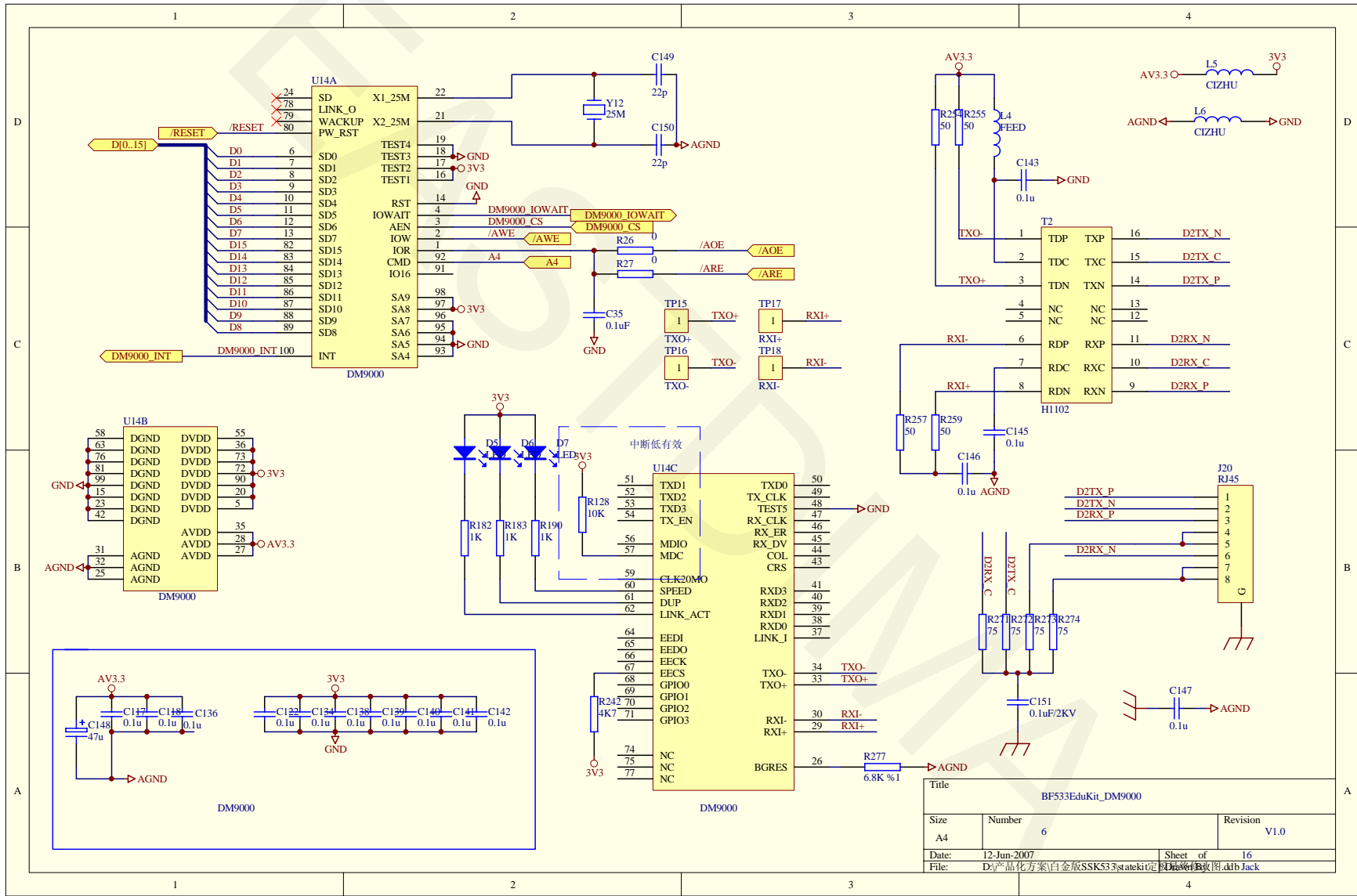


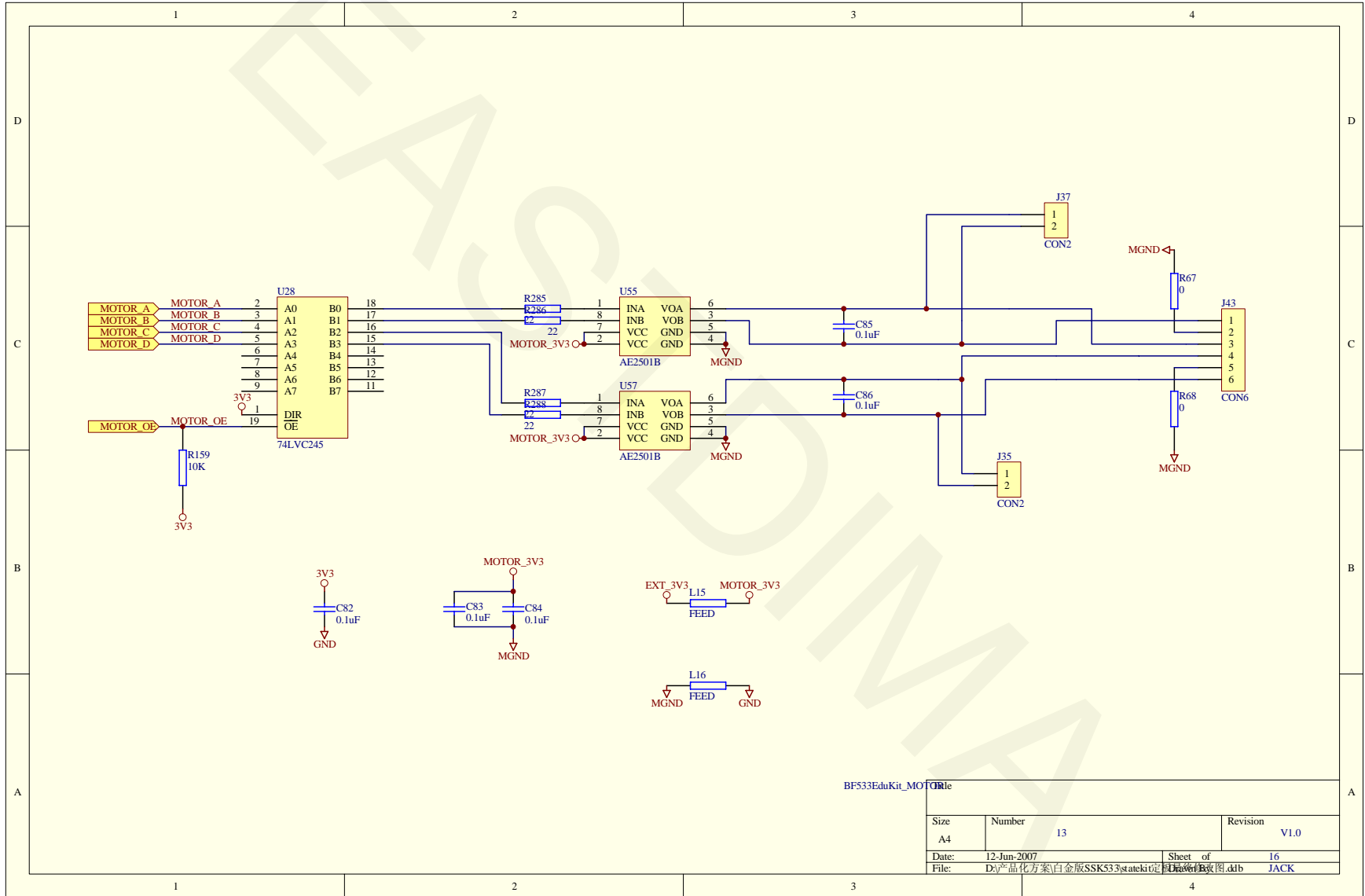
Title		
Size A4	Number 9	Revision V1.0
Date: 12-Jun-2007	Sheet of 16	
File: D:\产品化方案\白金版SSK533\stateki\定图\图db		





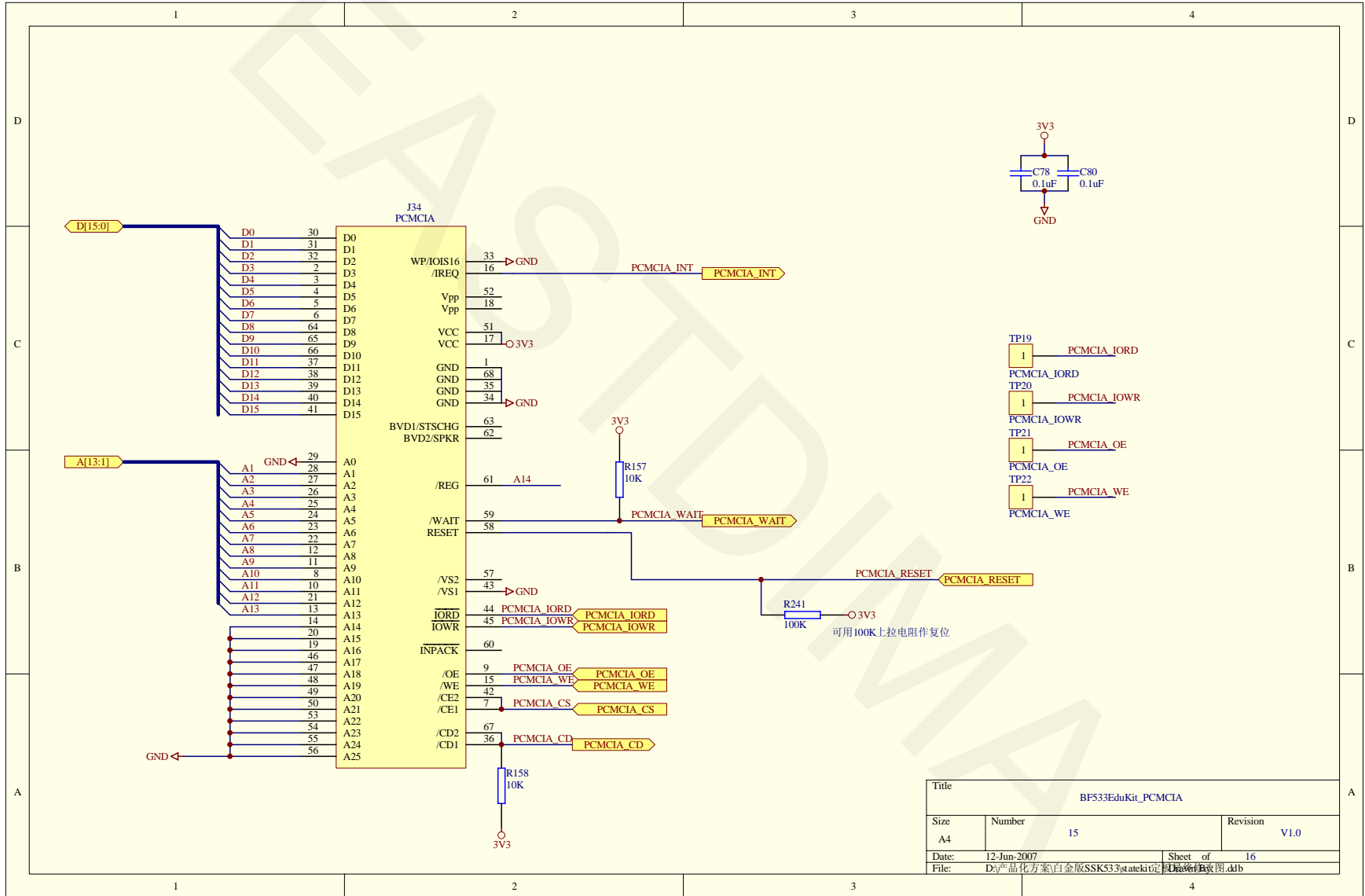
Title		
BF533EduKit_KB_LED		
Size	Number	Revision
A4	12	V1.0
Date:	12-Jun-2007	Sheet of 16
File:	D:\产品化方案\白金版SSK533\stateki\定制\PCB图\BACK	



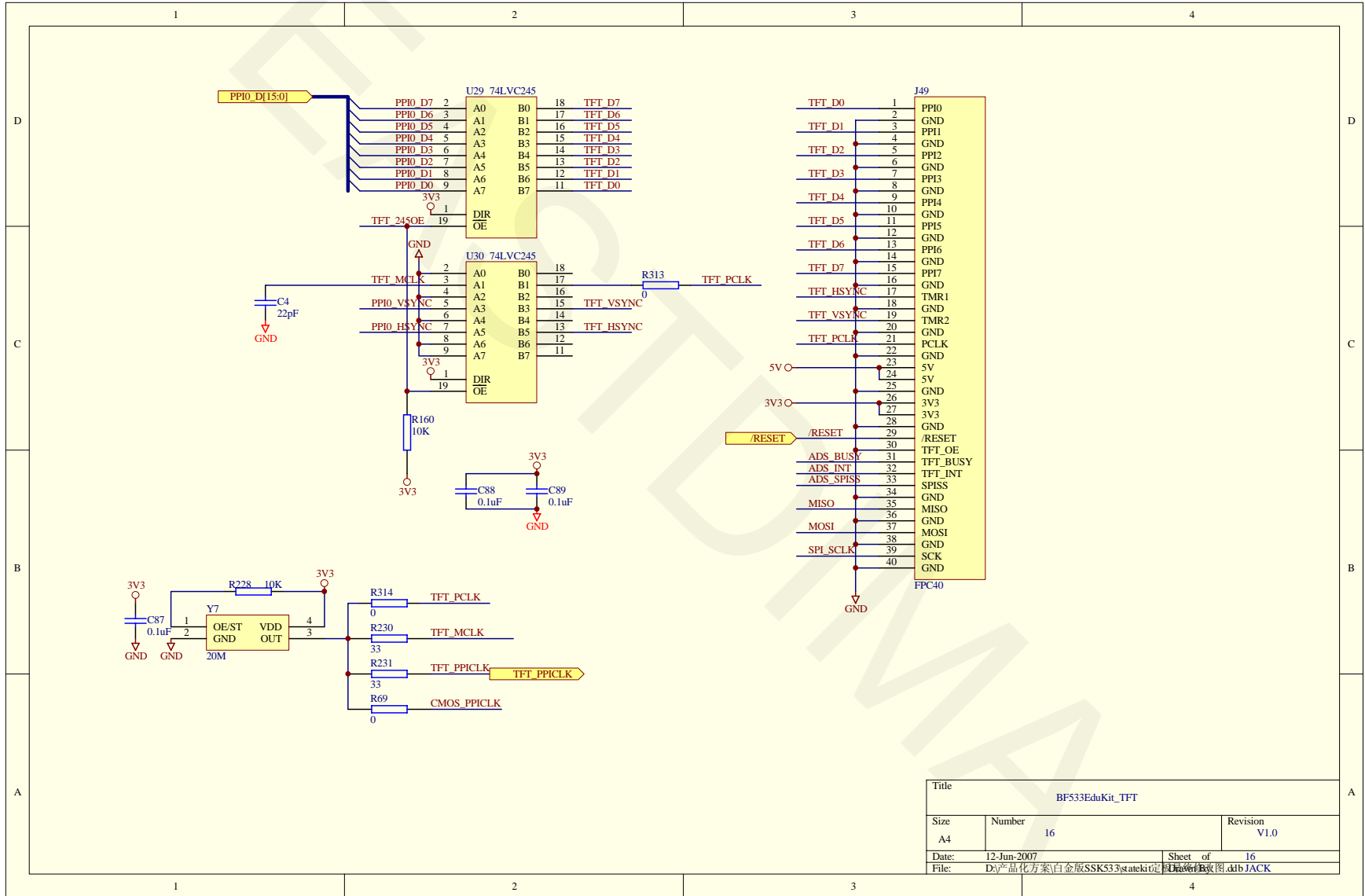


BF533EduKit\_MORle

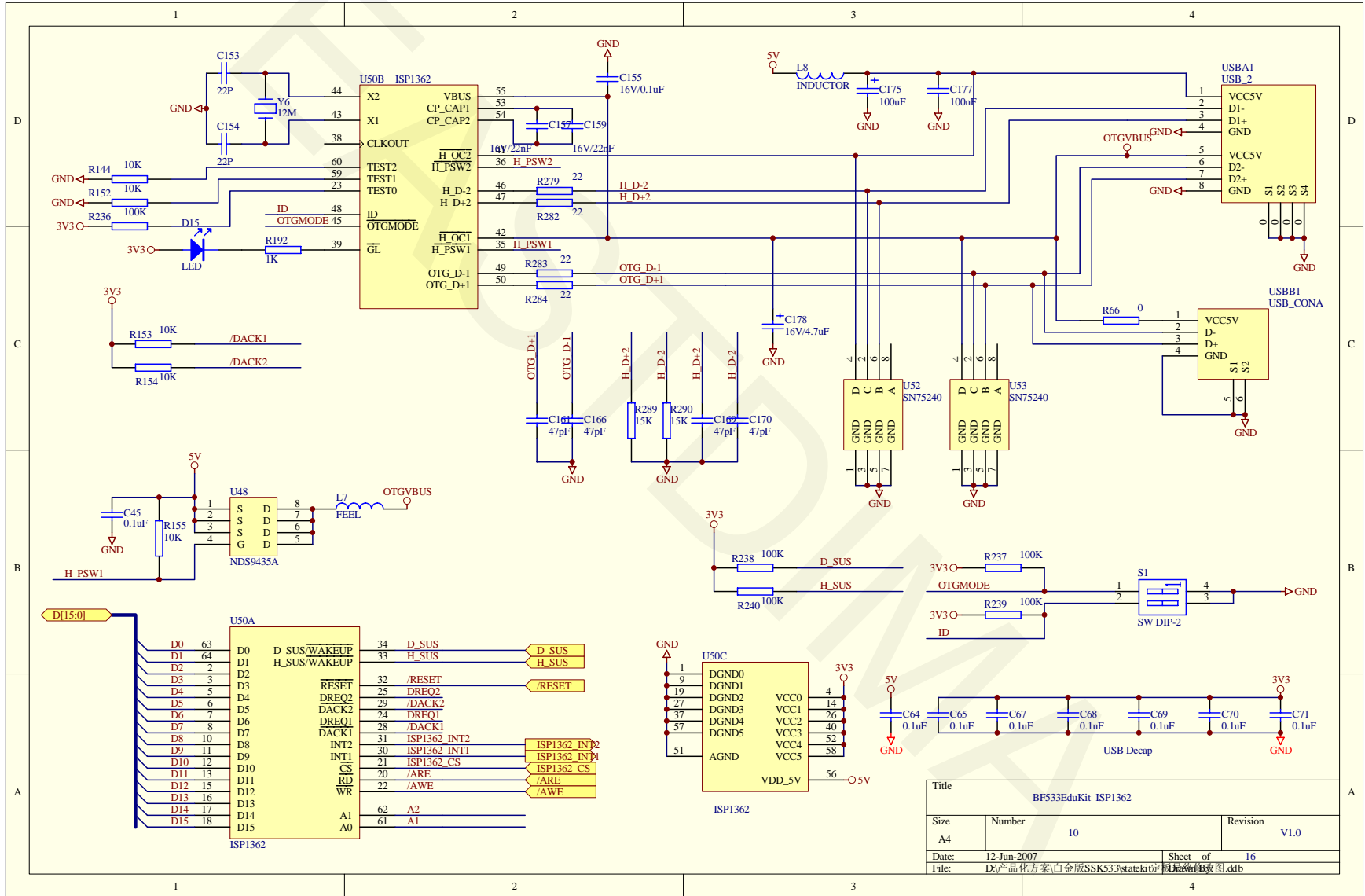
Size A4	Number 13	Revision V1.0
Date: 12-Jun-2007	Sheet of 16	
File: D:\产品化方案\白金版SSK533\statekit\原理图.dwg	JACK	



Title		
BF533EduKit_PCMCIA		
Size	Number	Revision
A4	15	V1.0
Date:	12-Jun-2007	Sheet of 16
File:	D:\产品化方案\白金版SSK533\stateki\定图\PCB图.ddb	

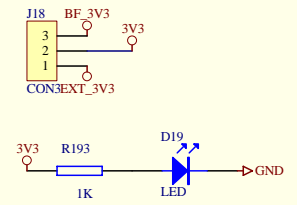
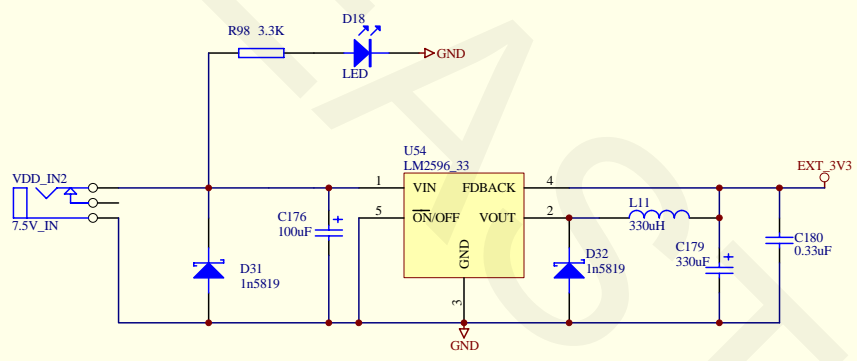


Title		
BF533EduKit_TFT		
Size	Number	Revision
A4	16	V1.0
Date:	12-Jun-2007	Sheet of 16
File:	D:\产品化方案\白金版SSK533\stateki\定制\图框\图框.dwg	JACK



Title			
BF533EduKit_ISP1362			
Size	Number	Revision	
A4	10	V1.0	
Date:	12-Jun-2007	Sheet of	16
File:	D:\产品化方案\白金版SSK533\stateki定板图\PCB图.dtb		

### Power LED



Title			BF533EduKit_ISP1362 POWER		
Size	Number			Revision	V1.0
A4	11				
Date:	12-Jun-2007	Sheet	of 16		
File:	D:\产品化方案\白金版SSK533\stateki\定图\图.ddb				

