

WARNING
The whole circuit up to
T1502 is at mains voltage.

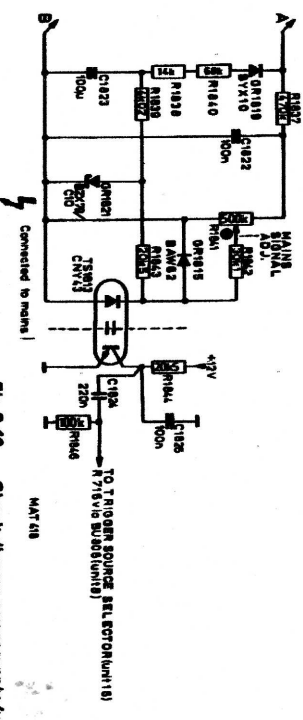


Fig. 3.40 Circuit diagram power supply (unit 3 and 6)