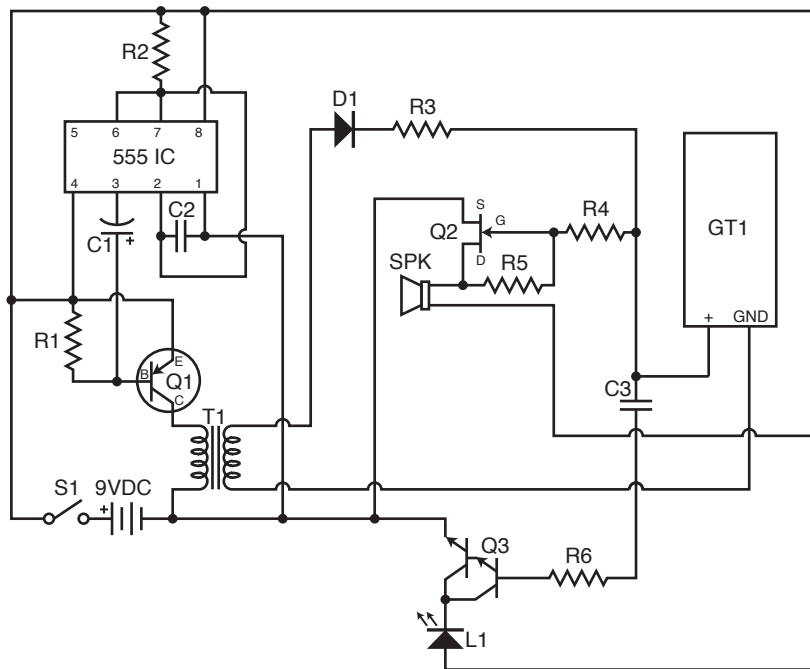


G17365 - Russian Geiger Tube



Parts List

- C1 _____ 1μF Tantalum Capacitor
- C2 _____ 0.47μF Monolythic Capacitor
- C3 _____ 10pF Ceramic Capacitor
- D1 _____ 1N4007 Diode
- GT1 _____ Russian Geiger Tube
- IC1 _____ 555 Timer IC
- L1 _____ LED
- Q1 _____ 2N3906 Transistor
- Q2 _____ 2N7000 FET Transistor
- Q3 _____ 2N6427 NPN Darlington Transistor
- R1 _____ 4.7KΩ 1/8W Resistor
- R2 _____ 12KΩ 1/8W Resistor
- R3 _____ 100KΩ 1/4W Resistor
- R4 _____ 4.7MegΩ 1/4W Resistor
- R5 _____ 1MegΩ 1/4W Resistor
- R6 _____ 10MegΩ 1/4W Resistor
- S1 _____ Switch
- T1 _____ Inverter Transformer