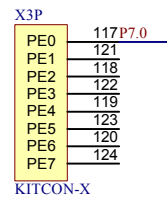
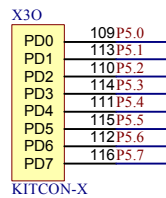
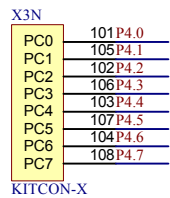
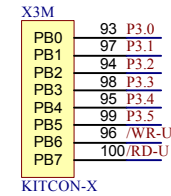
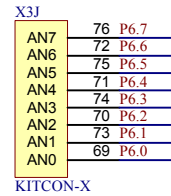
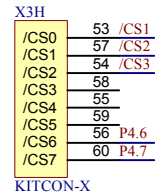
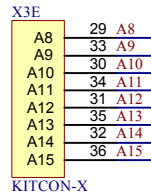
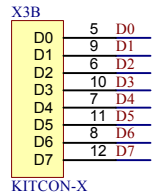
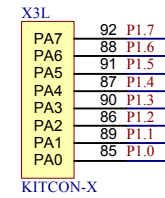
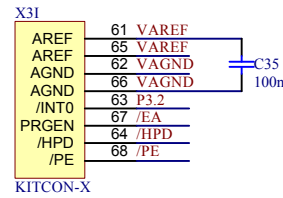
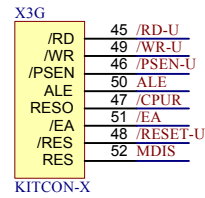
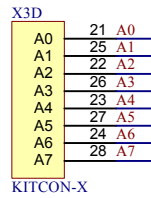
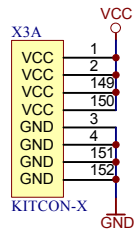
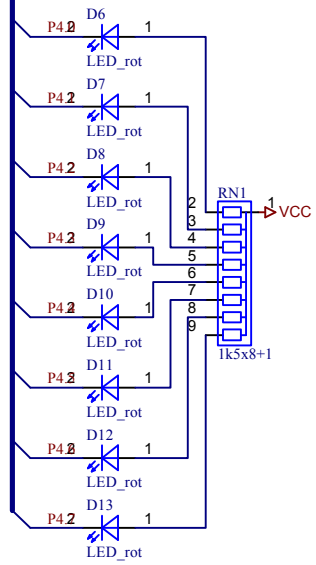
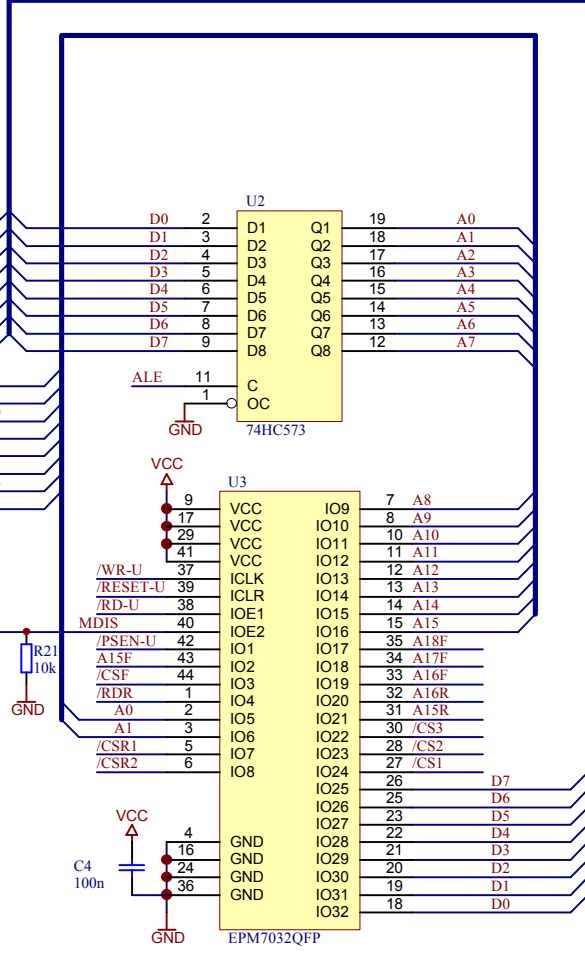
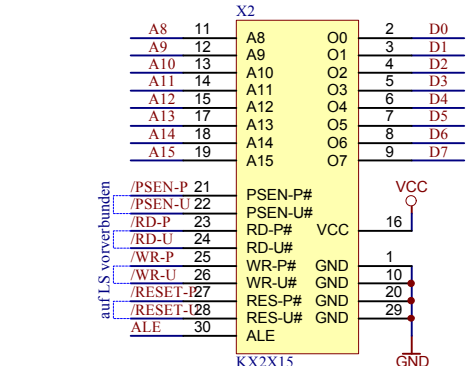
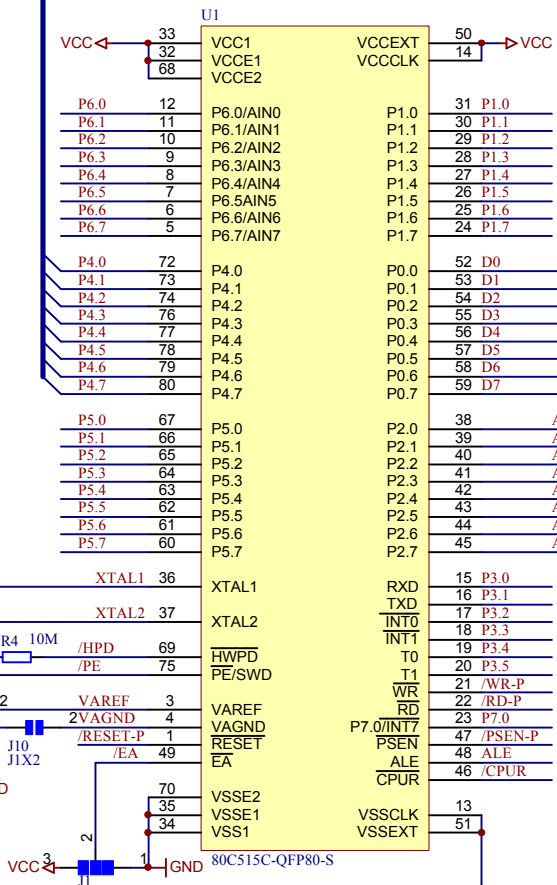
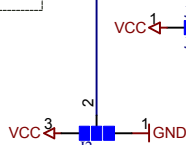
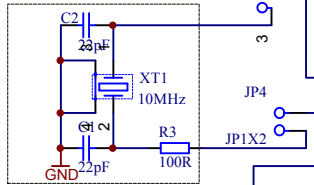
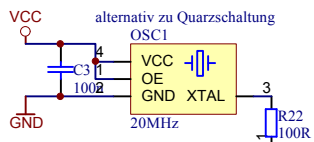
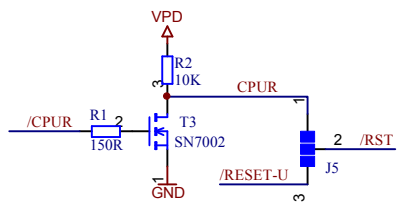


11290-1
11290-1.SCH

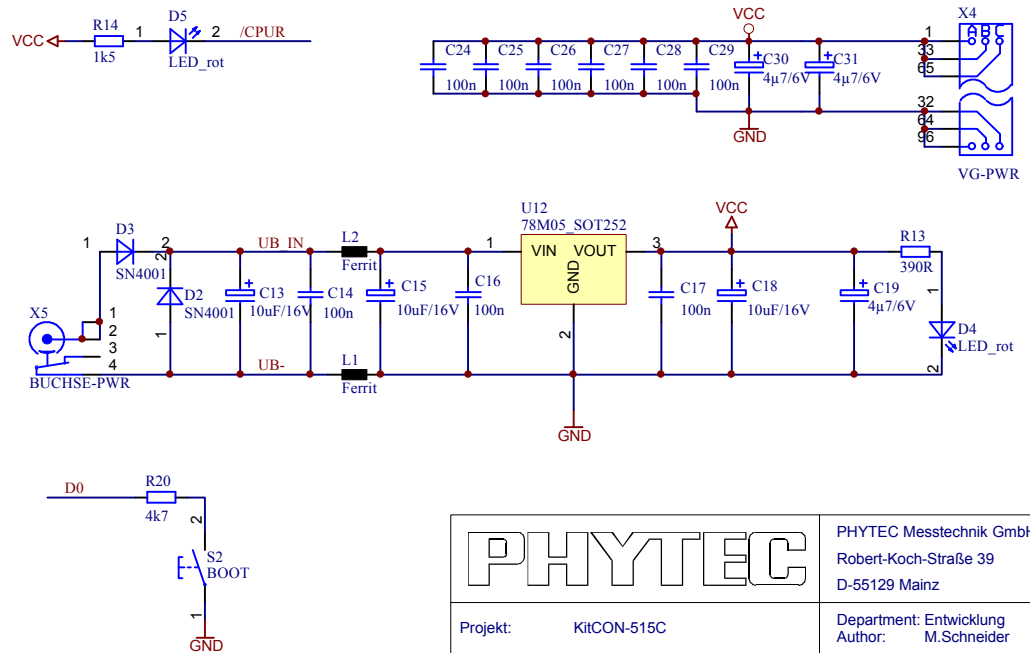
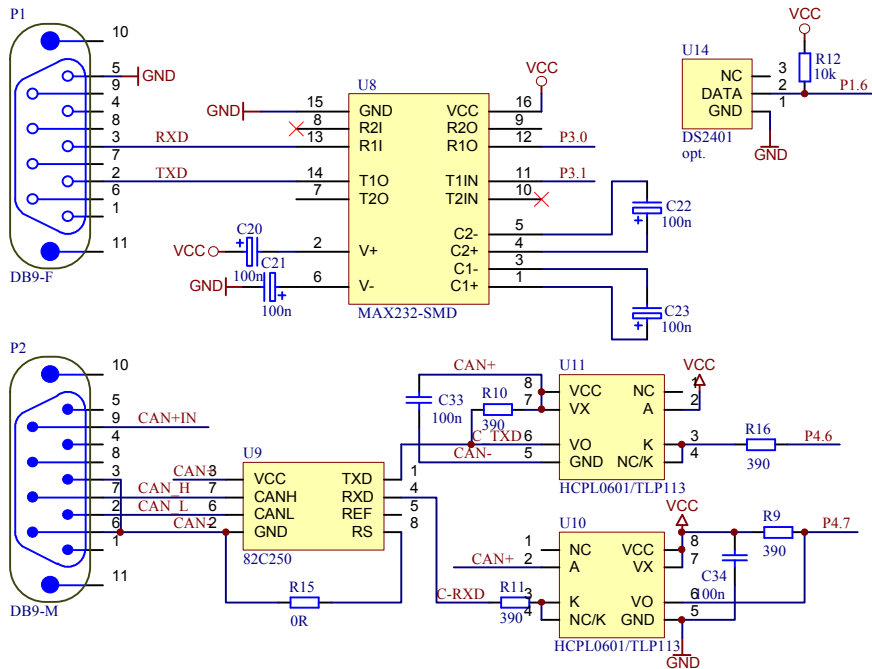
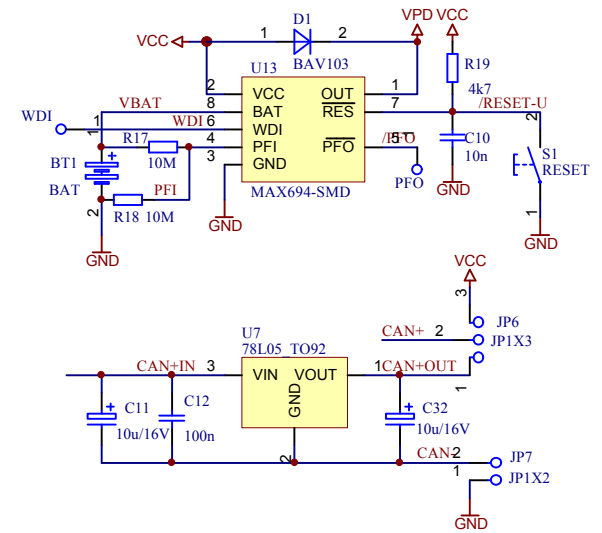
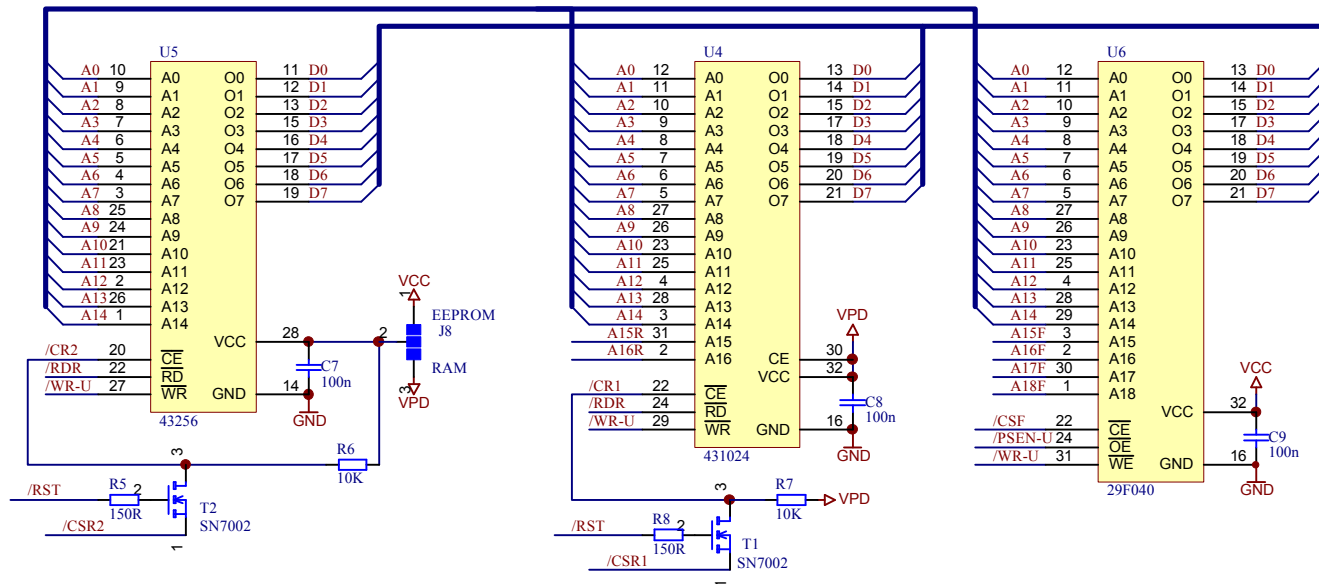


11290-2
11290-2.SCH





PHYTEC		PHYTEC Messtechnik GmbH Robert-Koch-Straße 39 D-55129 Mainz
Projekt:	KitCON-515C	Department: Entwicklung Author: M.Schneider
File:	N:\GROUP\DEVELOP\HARDWARE\KC515\1129.0\002\11290-1.SCH	
28-Feb-1997 12:54:29	PCB-No.: 1129.0-002	Revision: 1.0 Sheet 2 of 3



		PHYTEC Messtechnik GmbH Robert-Koch-Straße 39 D-55129 Mainz	
		Projekt: KitCON-515C	Department: Entwicklung Author: M. Schneider
File: N:\GROUP\DEVELOP\HARDWARE\KC515\1129.0\002\11290-2.SCH		28-Feb-1997 12:55:58 PCB-No.: 1129.0-002 Revision: 1.0 Sheet 3 of 3	