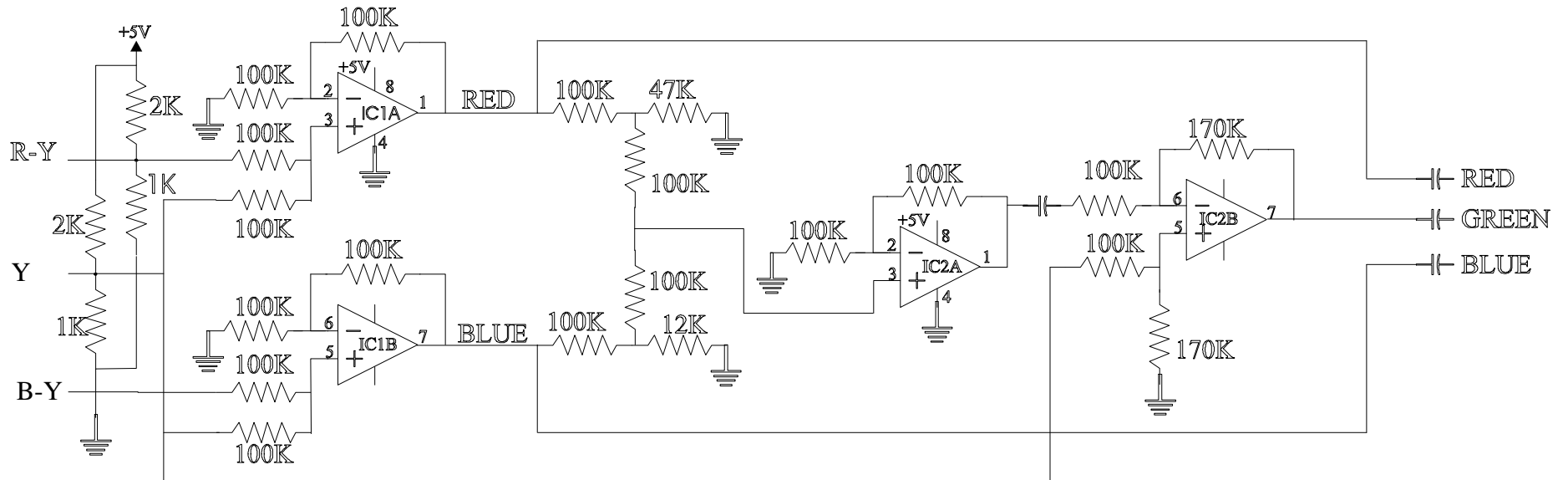


Luminance & Color Difference to RGB Video Converter.



Description

This circuit was designed to convert Luminance (Y) and color difference (RY, BY) video signals to RGB video. The Op-Amps are a Motorola MC34182 single supply video band width type amp. A similar type op amp could be substituted. Capacitors are .047 microfarad tantalum type.