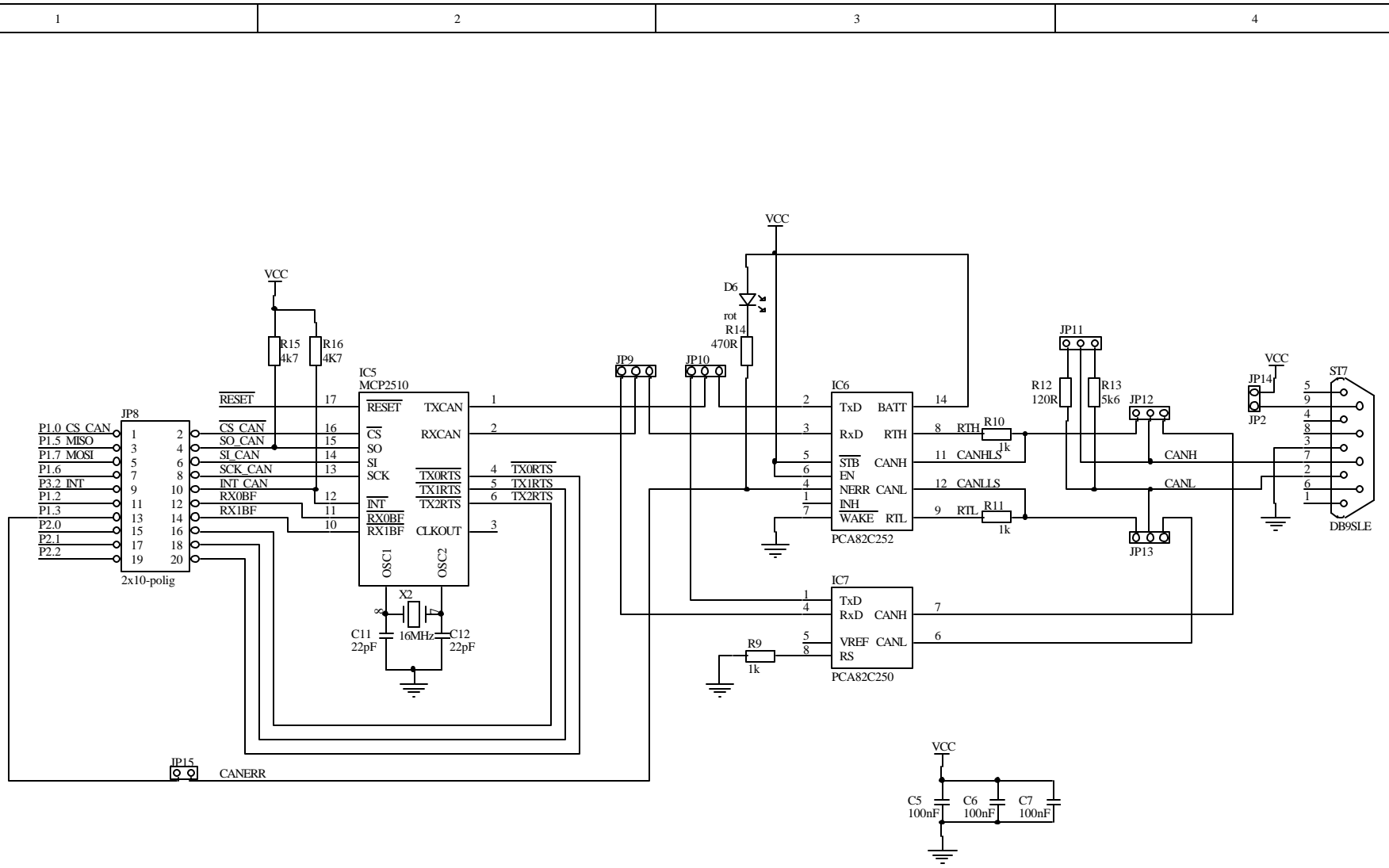
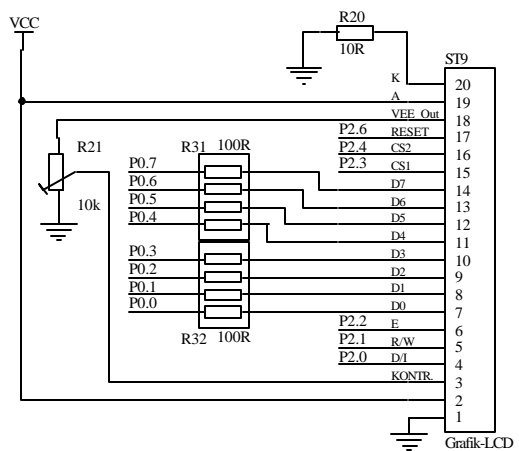
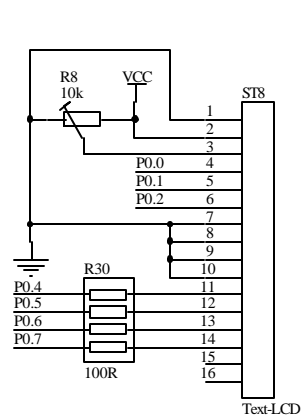
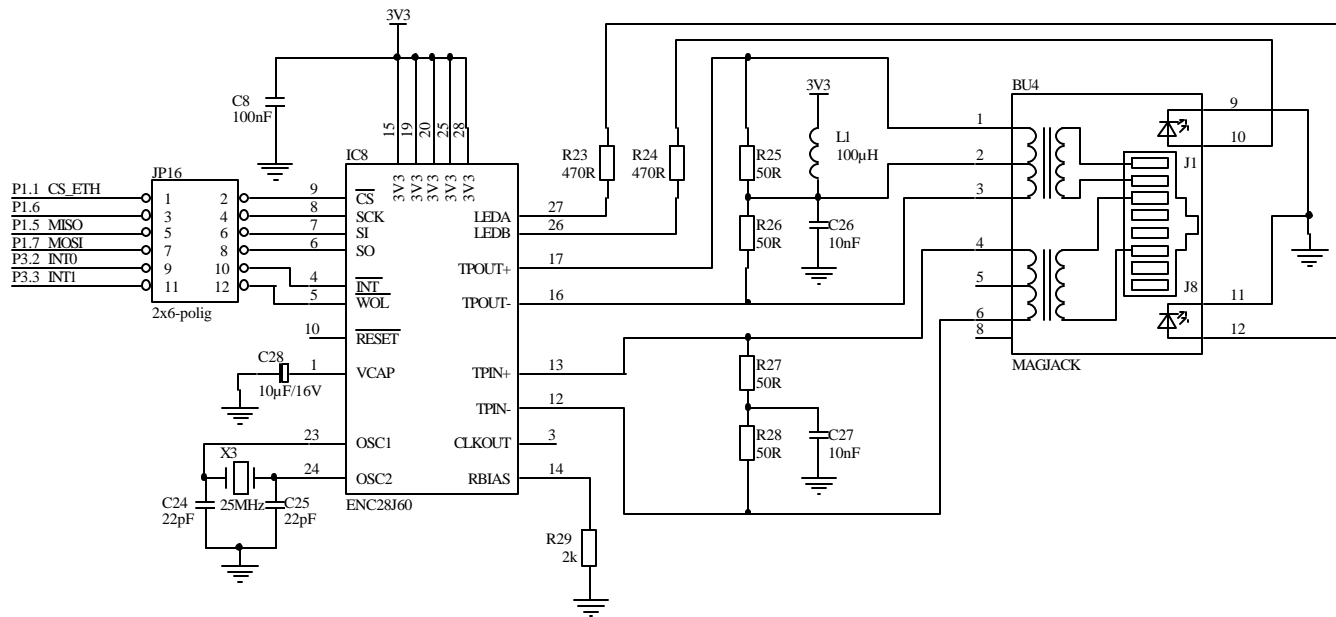


Title		
Microcontroller, RS232, TWI (PC), USB, Power, Reset, Ports und LED's		
Size	Number	Revision
A4	EVOB0004	REV_A
Date:	29-Oct-2005	Sheet of #1 von 3
File:	C:\Work\Design\MCS8051 EvoBoard\MCS8051 EvoBoard.MCSchaub	



Title			
CAN-Controller, CAN-High-Transceiver and CAN-Low-Transceiver			
Size	Number	Revision	
A4	EVOB0004	REV_A	
Date:	29-Oct-2005	Sheet of	#2 von 3
File:	C:\Work\Design\MCS8051 EvoBoard\MCS8051 EvoBoard.D	Author:	D. M. Schaub



Title Ethernet, Text-Display, Graphic-Display			
Size A4	Number EVOB0004	Revision REV_A	
Date: 29-Oct-2005	Sheet of #3 von 3	Drawn by Board D.M. Schaub	
File: C:\Work\Design\MCS8051 EvoBoard\MCS8051 EvoBoard.D.M. Schaub			