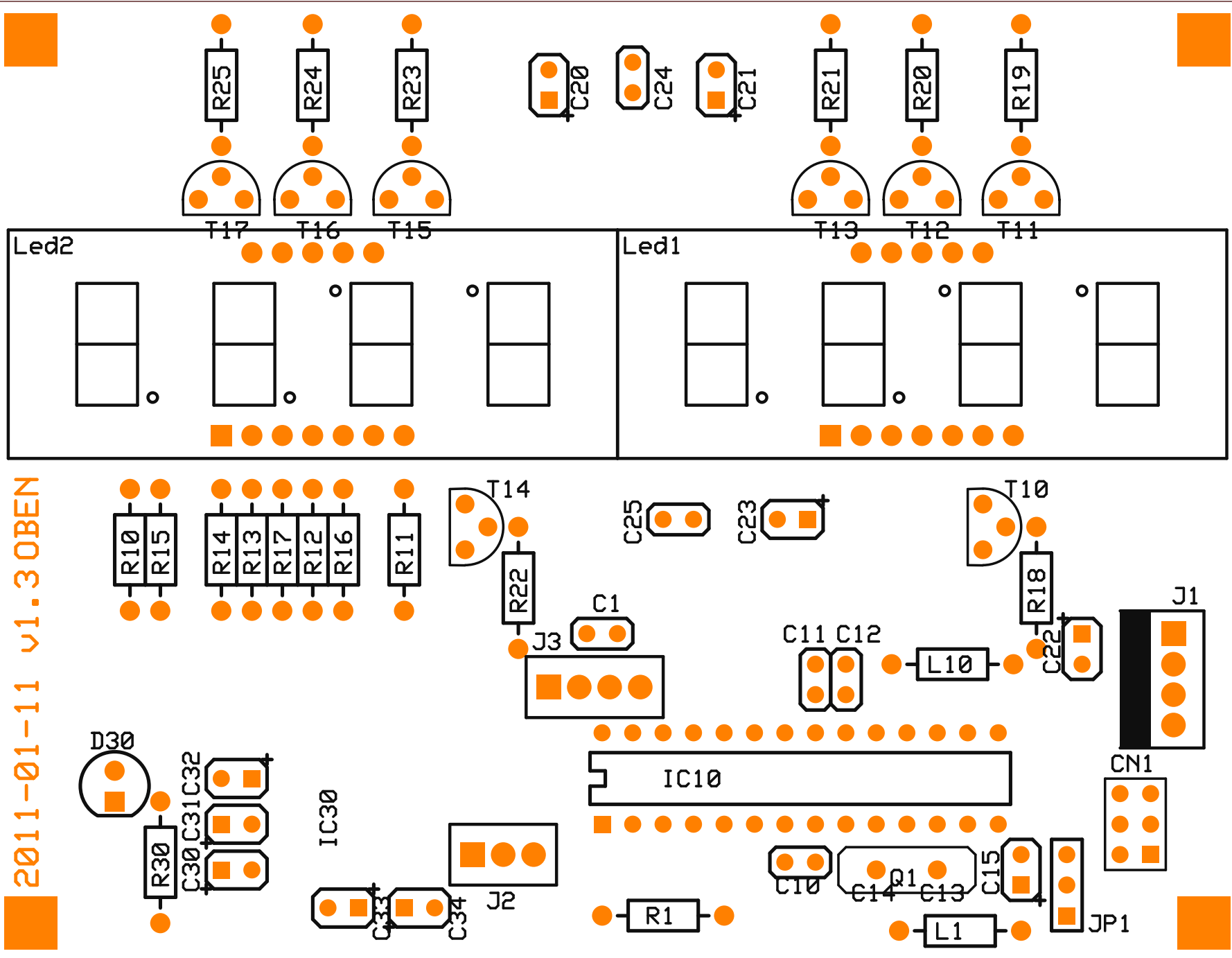


2011-01-11 v1.30BEN



FR4, 2-seitig, LxB 104,14mm x 80 mm