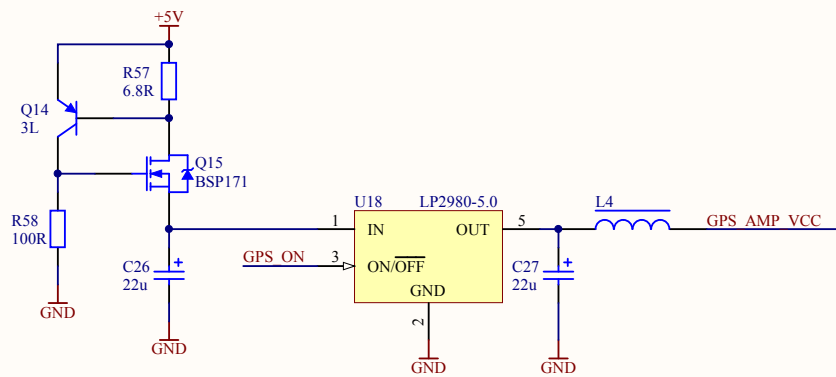
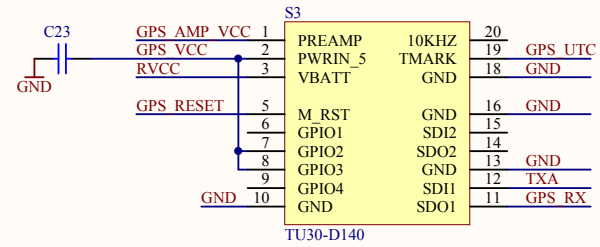
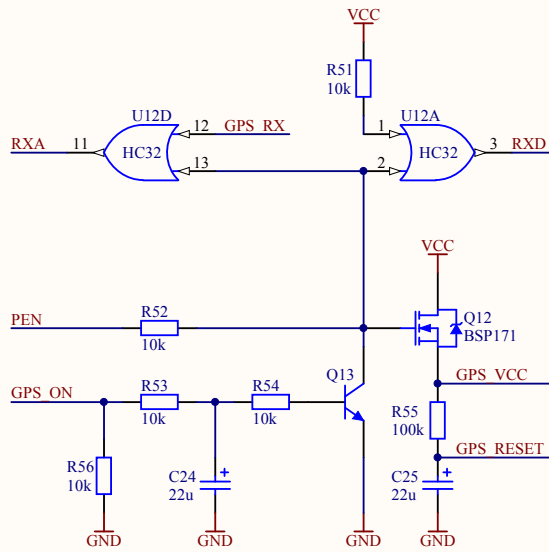
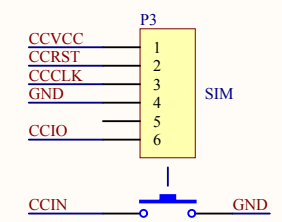
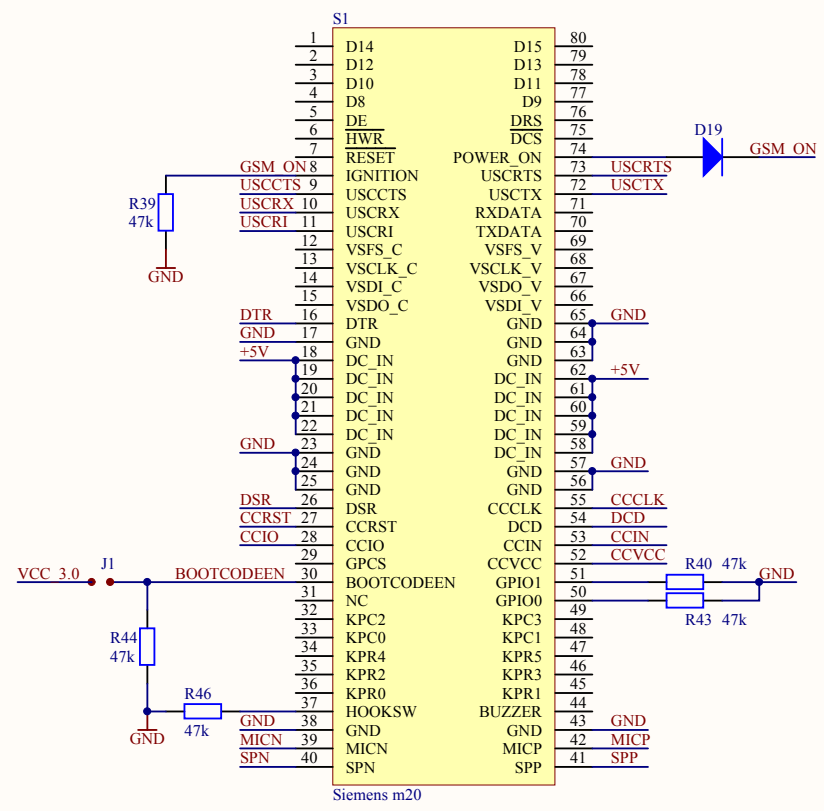
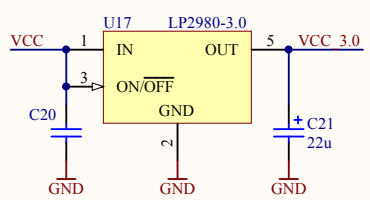
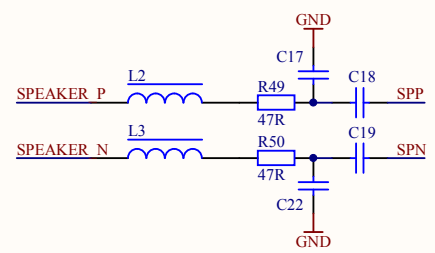
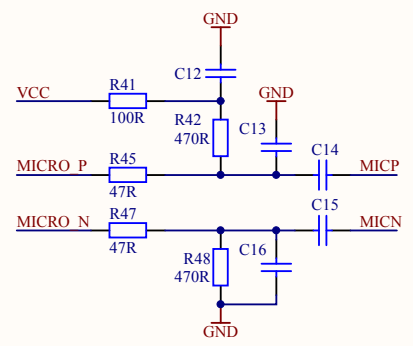
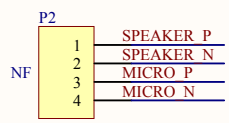
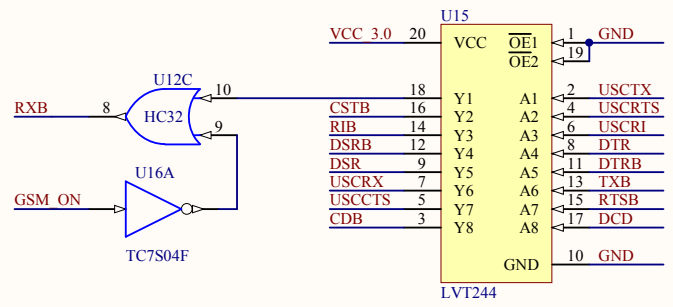


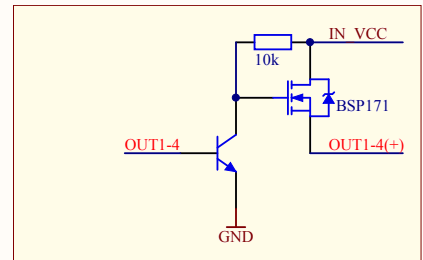
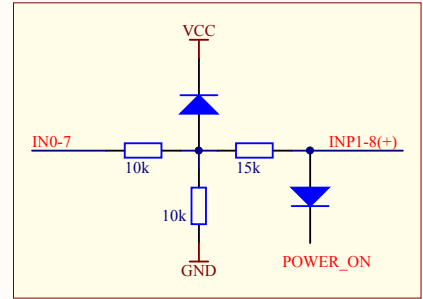
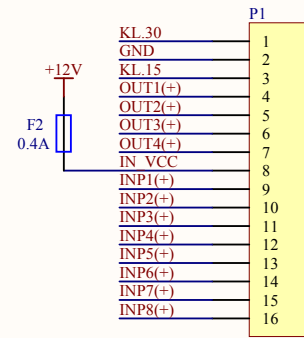
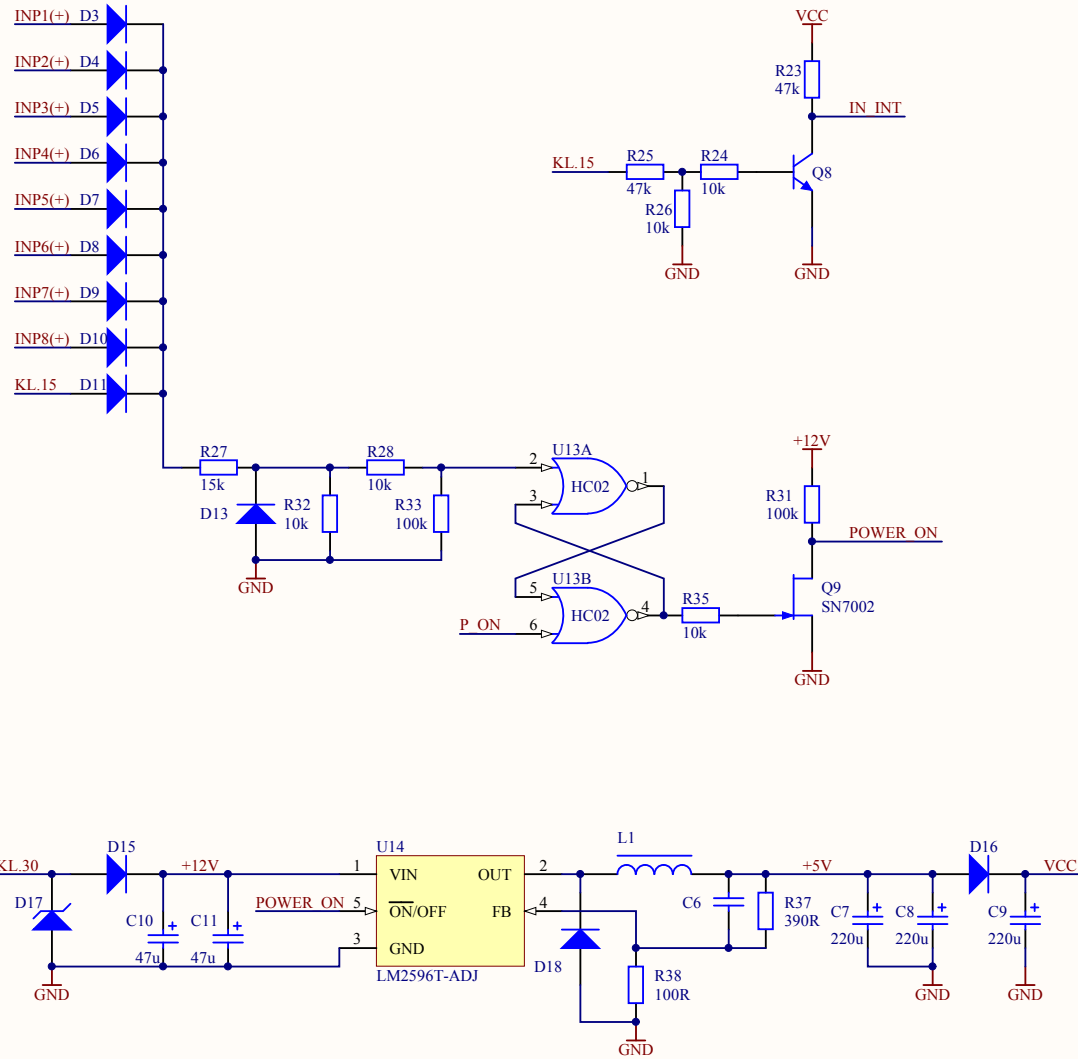
|       |                             |           |
|-------|-----------------------------|-----------|
| Title |                             |           |
| Size  | Number                      | Revision  |
| A4    |                             |           |
| Date: | 21.08.11                    | Sheet of  |
| File: | G:\Dokumente\...\CPU.SchDoc | Drawn By: |



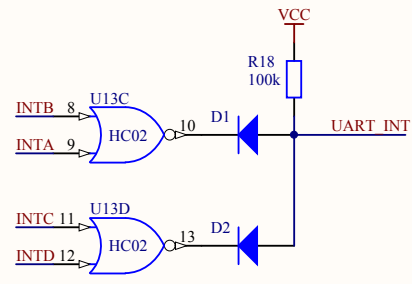
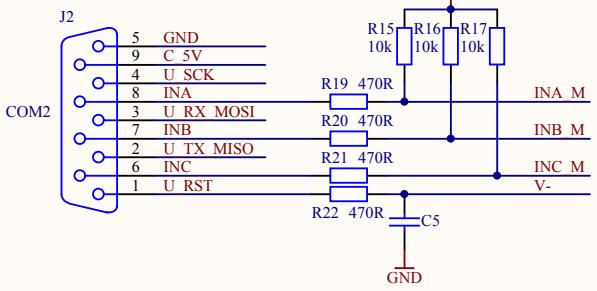
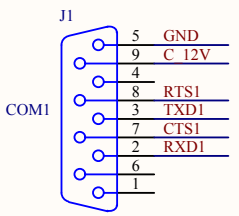
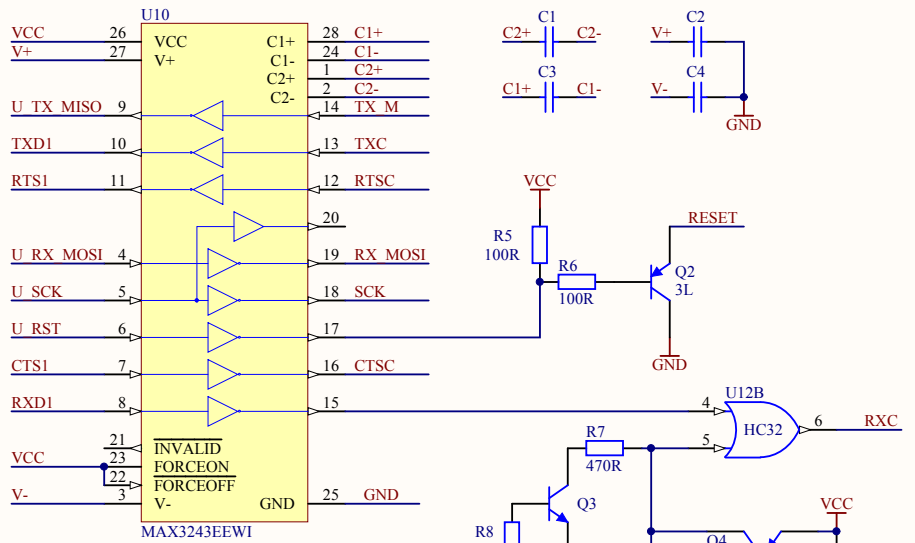
|       |                             |           |
|-------|-----------------------------|-----------|
| Title |                             |           |
| Size  | Number                      | Revision  |
| A4    |                             |           |
| Date: | 21.08.11                    | Sheet of  |
| File: | G:\Dokumente\...\GPS.SchDoc | Drawn By: |



|       |                             |           |
|-------|-----------------------------|-----------|
| Title |                             |           |
| Size  | Number                      | Revision  |
| A4    |                             |           |
| Date: | 21.08.11                    | Sheet of  |
| File: | G:\Dokumente\...\GSM.SchDoc | Drawn By: |



|       |                            |           |
|-------|----------------------------|-----------|
| Title |                            |           |
| Size  | Number                     | Revision  |
| A4    |                            |           |
| Date: | 21.08.11                   | Sheet of  |
| File: | G:\Dokumente\...\IO.SchDoc | Drawn By: |



|       |                              |           |
|-------|------------------------------|-----------|
| Title |                              |           |
| Size  | Number                       | Revision  |
| A4    |                              |           |
| Date: | 21.08.11                     | Sheet of  |
| File: | G:\Dokumente\...\UART.SchDoc | Drawn By: |

