

**15W HIGH POWER RGB LED**



ATTENTION: LED IS  
AN ELECTROSTATIC  
SENSITIVE DEVICE.  
HANDLE WITH  
PRECAUTION.

■ FEATURES

- Guaranteed minimum flux up to 70 for Blue, 200 for Green, 100 for Red at 300mA
- Maximum drive current up to 400mA.
- Max junction temperature : 120 °C
- No UV light
- Fast lit up response (less than 100nS)
- Electrically neutral thermal path
- Long lifetime of 50,000 hours.
- RoHS-compliant

■ TYPICAL APPLICATIONS

- Stage lighting
- Exterior and interior decorative lightings for shops, restaurants, hotels, discos, pubs, etc
- Signage lighting.
- Landscape lightings like parks, bridges, buildings.
- Edge-lit signs.

**15W HIGH POWER RGB LED****Flux Characteristics ( $T_j = 25^\circ\text{C}$  ;  $I_F = 300\text{mA}$ )**

Color	Wave Length (nm)	Luminous Flux(lm)	Ordering Code
Red	620~630	100~150	NPT5RGB102007
Green	520~530	200~300	
Blue	460~470	070~100	

Note: NPT maintains a tolerance of +/- 4% on flux measurements.

**Characteristics**

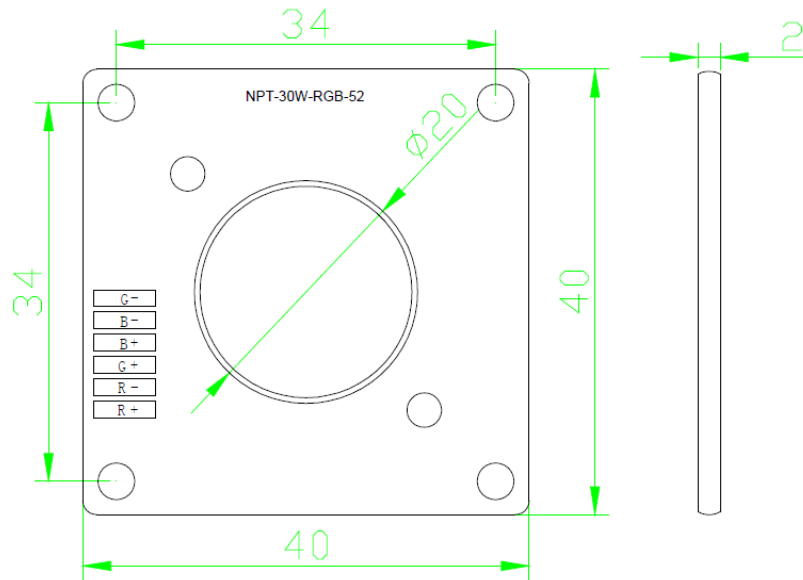
Characteristics	Unit	Minimum	Typical	Maximum
Viewing Angle	degrees	155	160	165
DC forward current	mA			300
DC pulse current (@ 1kHz, 10% duty cycle)	mA			400
Reverse voltage	V			5
Reverse Leakage current @5V	uA			10
Forward Voltage @300mA – Green, Blue	V	17	17.5	18
Forward Voltage @300mA – Red	V	12	12.5	13
LED Junction Temperature	°C			120
Suggested operating case temperature	°C			80
Storage temperature	°C	-40		100
Electrostatic Discharge Threshold (HBM)	V			2000

Note: NPT maintains a tolerance of +/- 0.1V on Forward Voltage measurements.

**15W HIGH POWER RGB LED**

**Outline dimensions**

---



Note:

1. All units in mm
2. Tolerance +/- 0.2mm