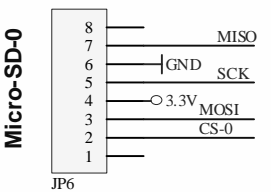
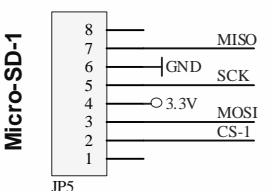
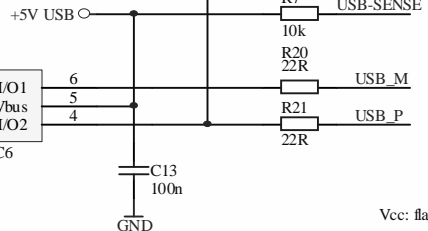
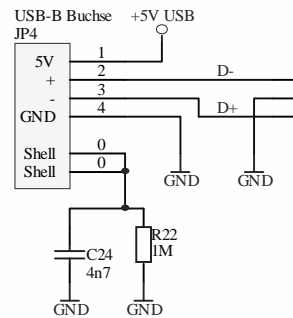
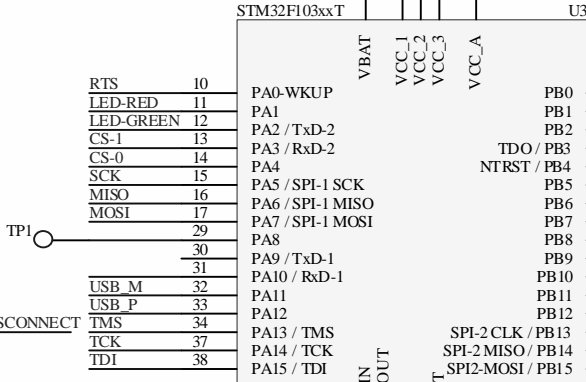
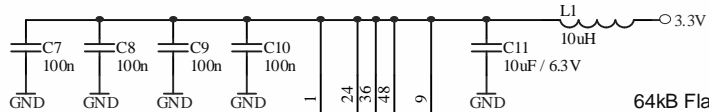
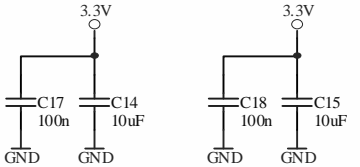


PCB USB-Buchse Type B (SMD)

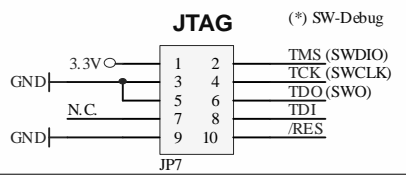
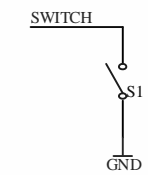
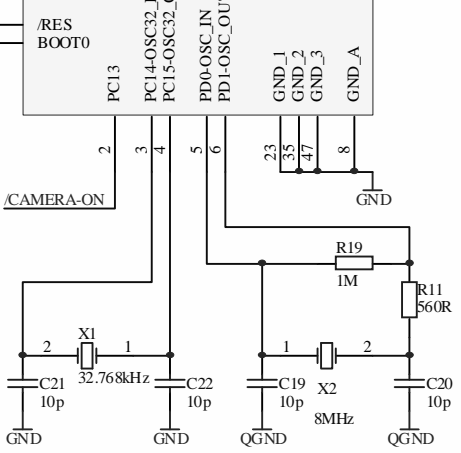
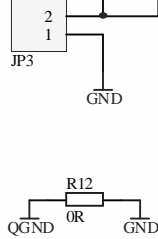
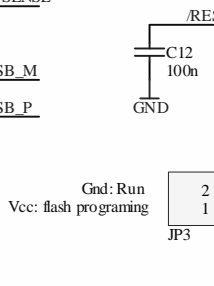
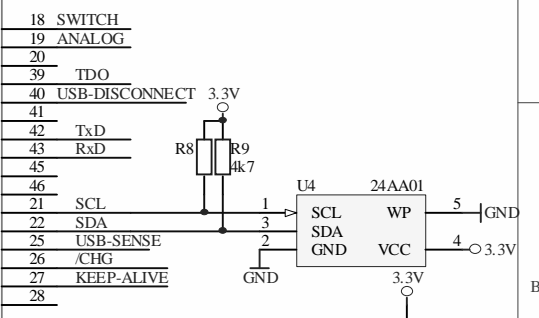
1	3 D+
2	2 D-
3	4 GND
4	1 Vcc



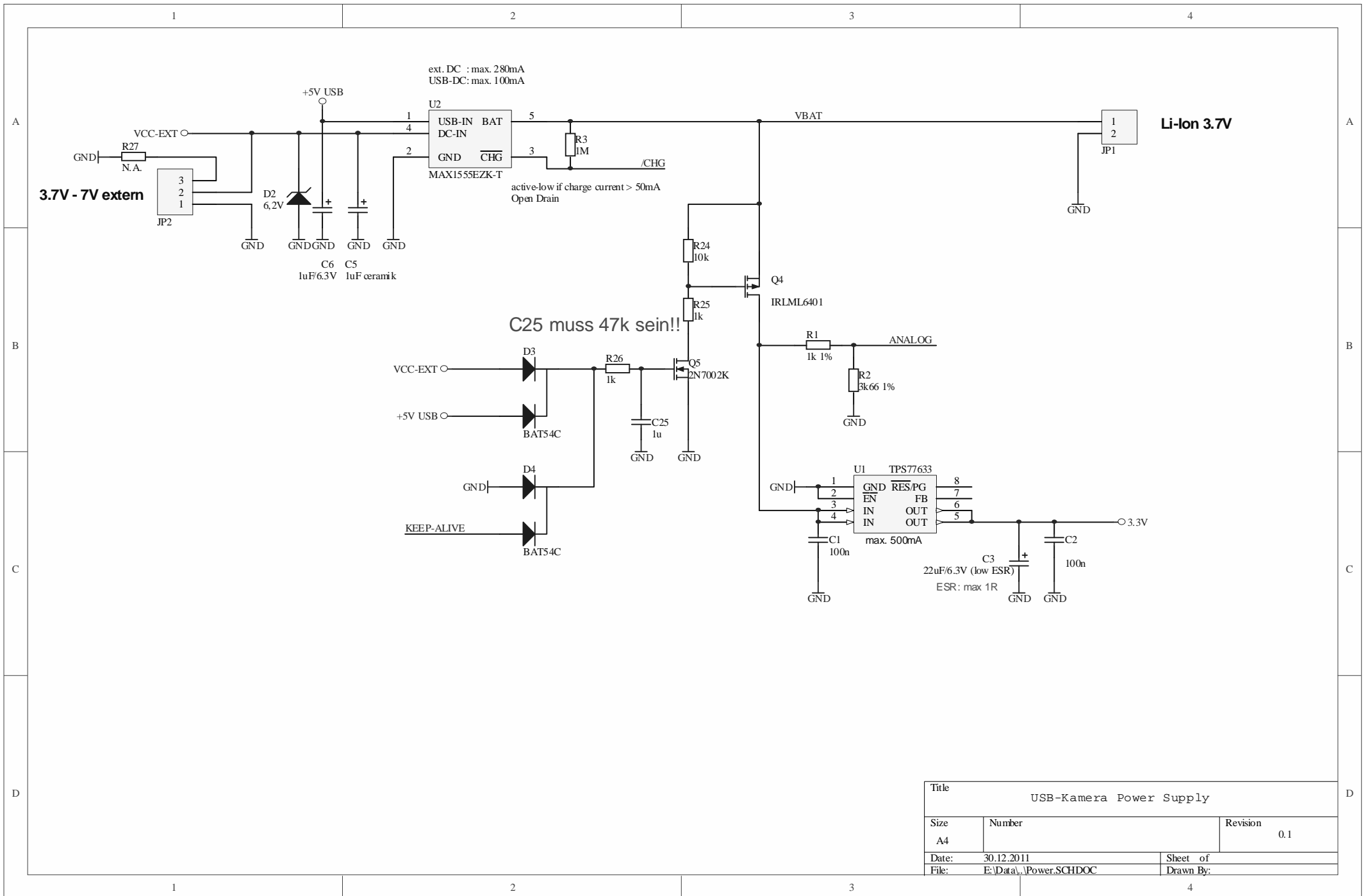
naechste Vers.:
Power on/off hinzufuegen
Pullup Widerstaende an CS und MISO



64kB Flash / 20kB RAM
TxD und RxD remapped!!



Title		
USB-Kamera core		
Size	Number	Revision
A4		0.1
Date:	30.12.2011	Sheet of
File:	E:\Data\...core.SCHDOC	Drawn By:



Title			USB-Kamera Power Supply		
Size	Number	Revision		0.1	
A4					
Date:	30.12.2011	Sheet of			
File:	E:\Data\Power.SCHDOC	Drawn By:			