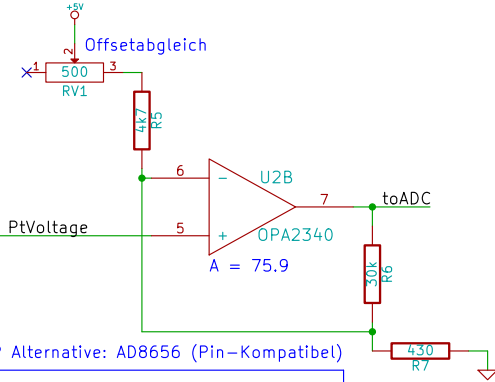
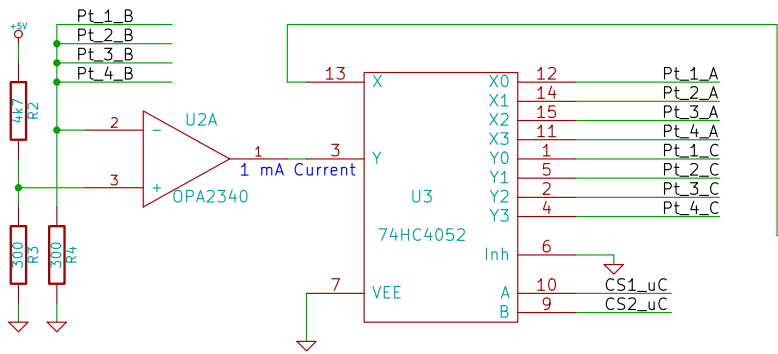
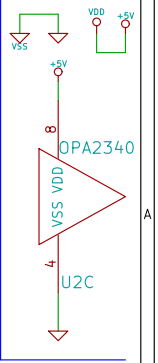
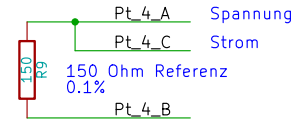
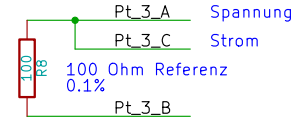
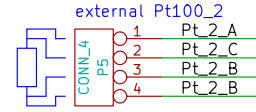
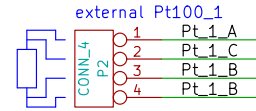
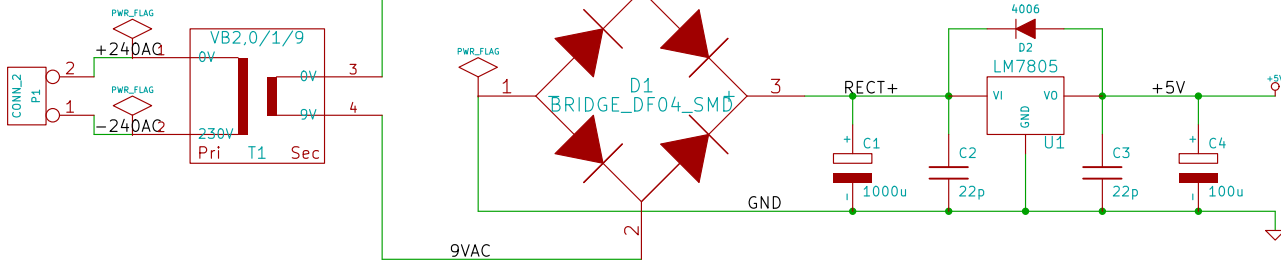
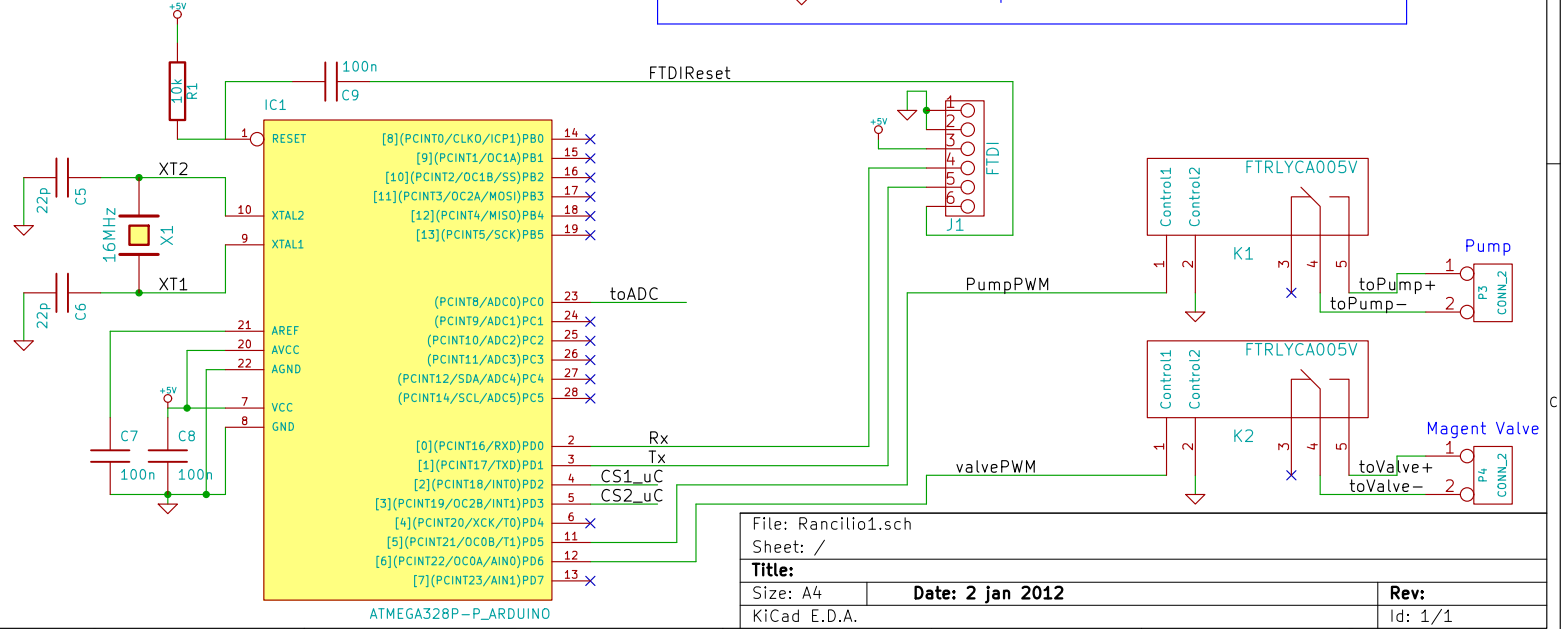


# Stromversorgung



OP Alternative: AD8656 (Pin-Kompatibel)

# Temperatursensor



File: Rancilio1.sch		Rev: 1/1	
Sheet: /		Date: 2 jan 2012	
Title:	Size: A4	Date: 2 jan 2012	Rev: 1/1
KiCad E.D.A.		Id: 1/1	