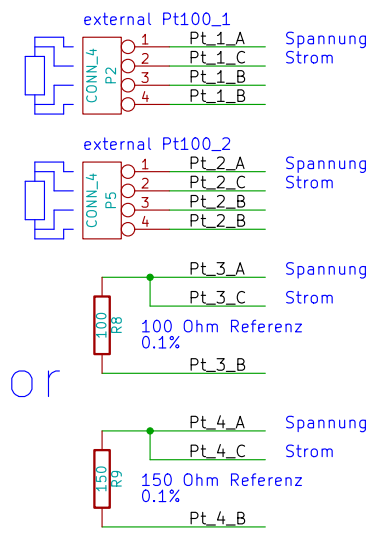
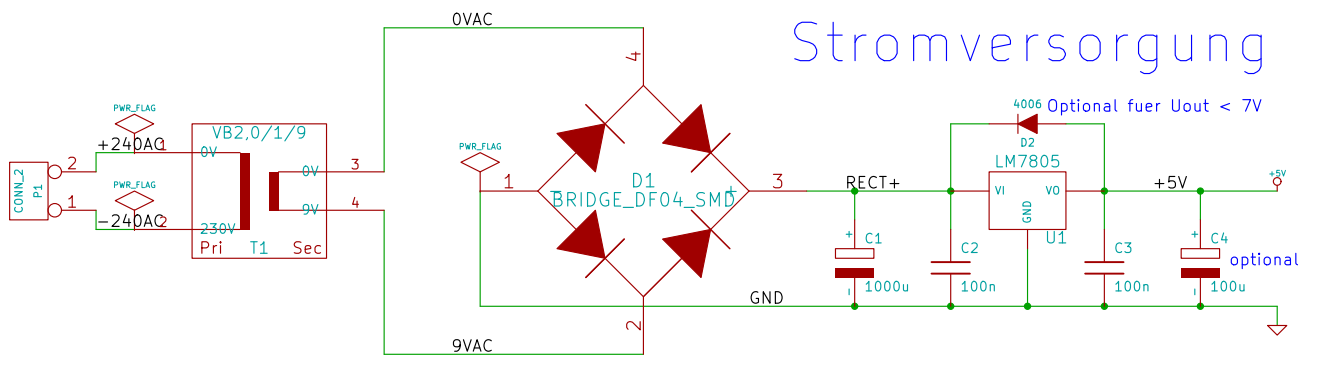
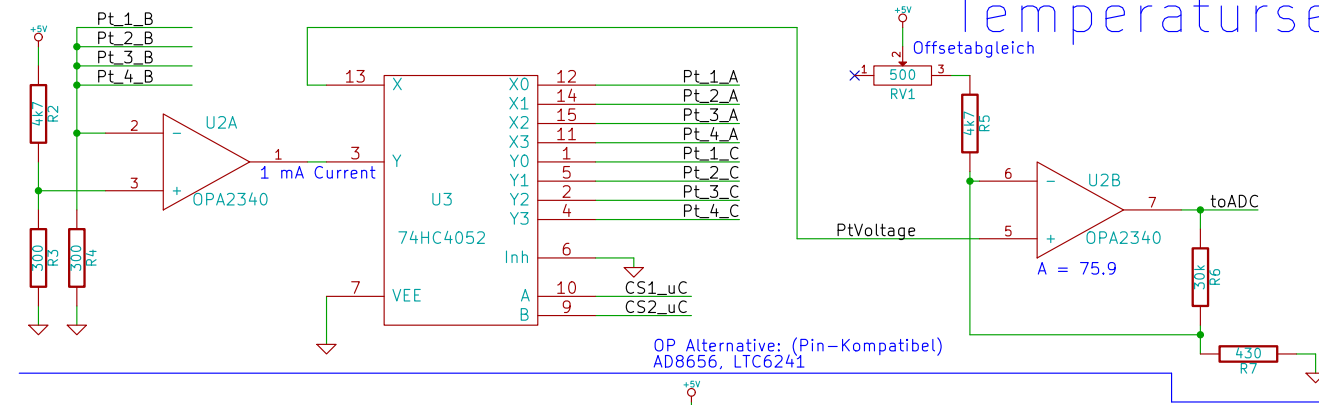


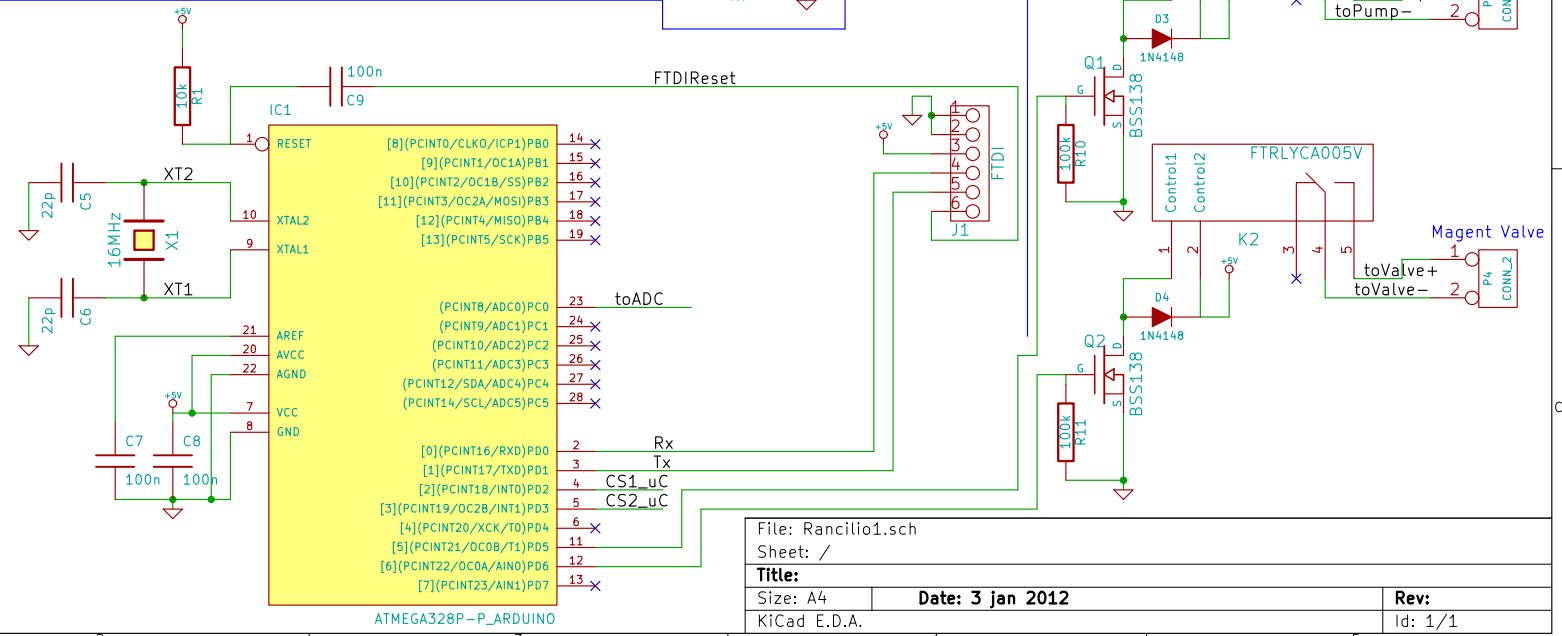
Stromversorgung



Temperatursensor



OP Alternative: (Pin-Kompatibel)
AD8656, LTC6241



File: Rancilio1.sch		
Sheet: /		
Title:		
Size: A4	Date: 3 jan 2012	Rev:
KiCad E.D.A.		Id: 1/1