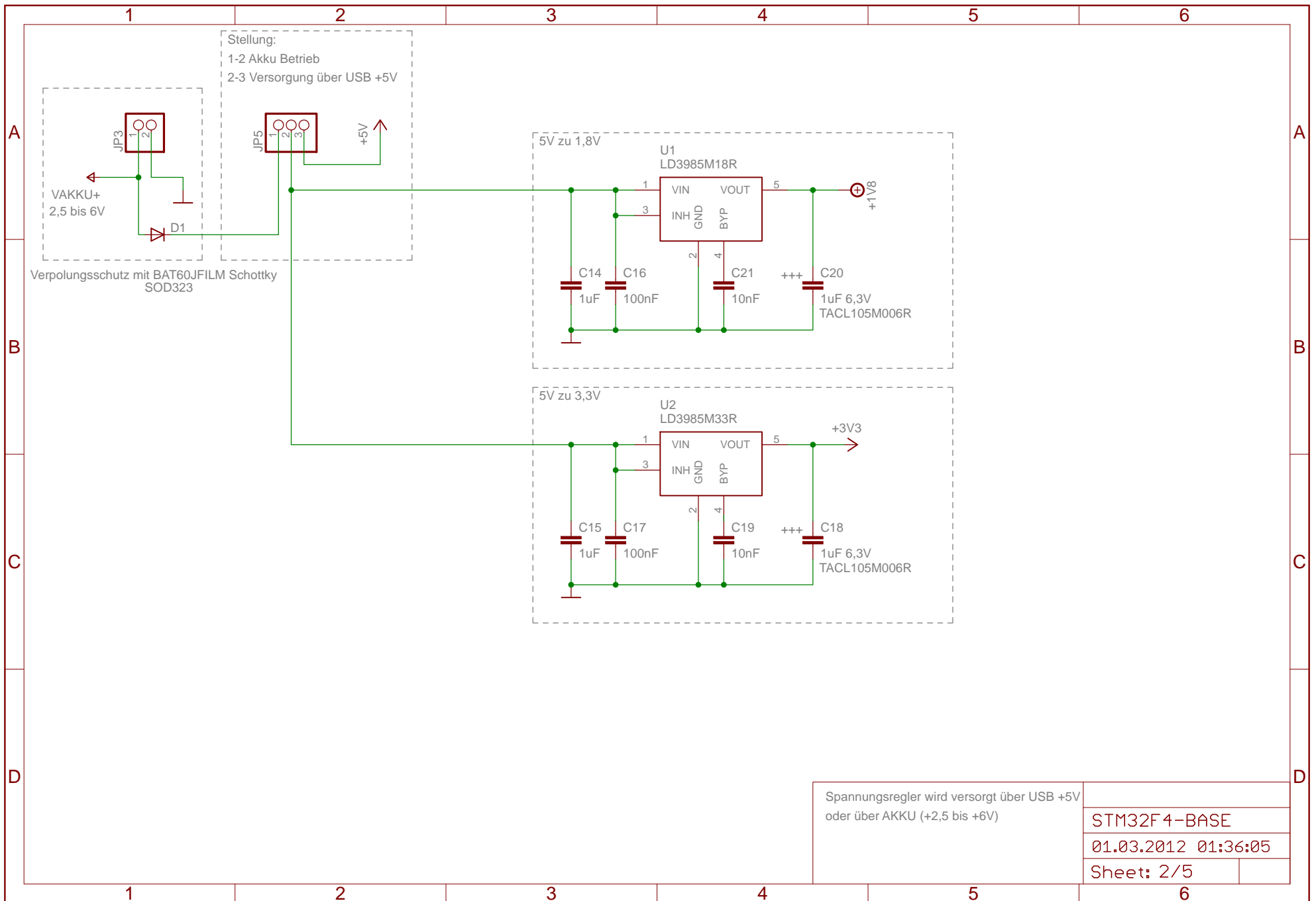
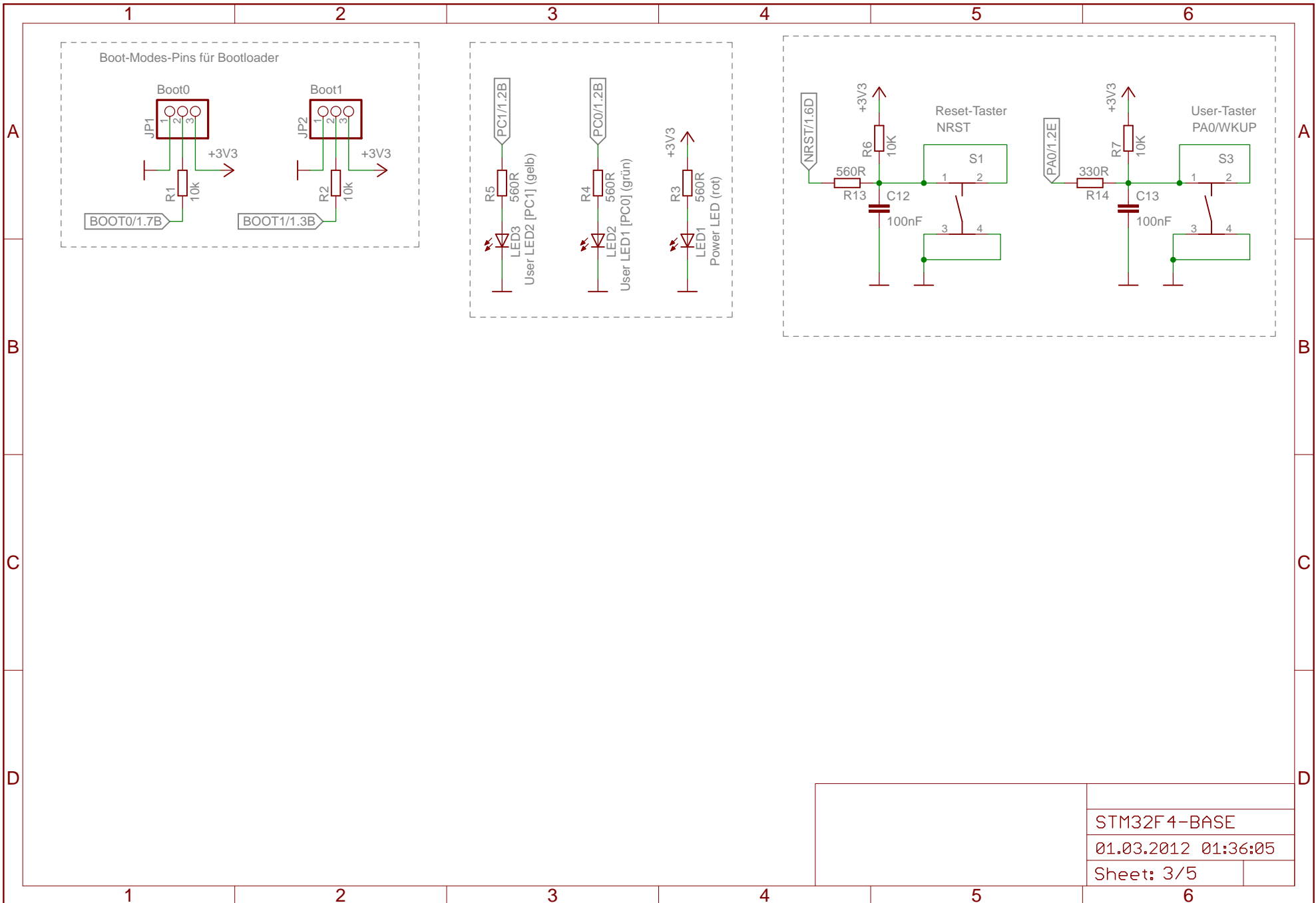
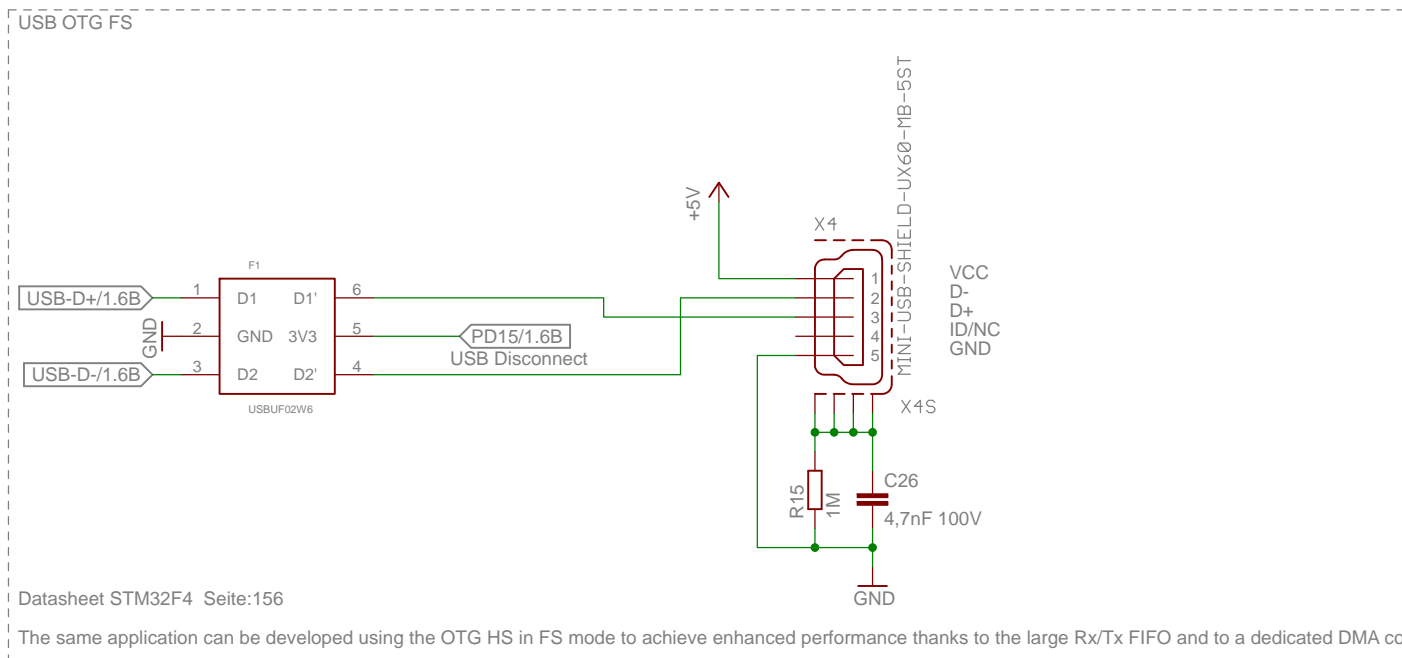


TYP: STM32F407-LQFP100 Basisboard	
Rev. A (29.02.2012)	
by Ersan Günes guenes@ieee.org	
STM32F4-BASE	
01.03.2012 01:36:05	
Sheet: 1/5	

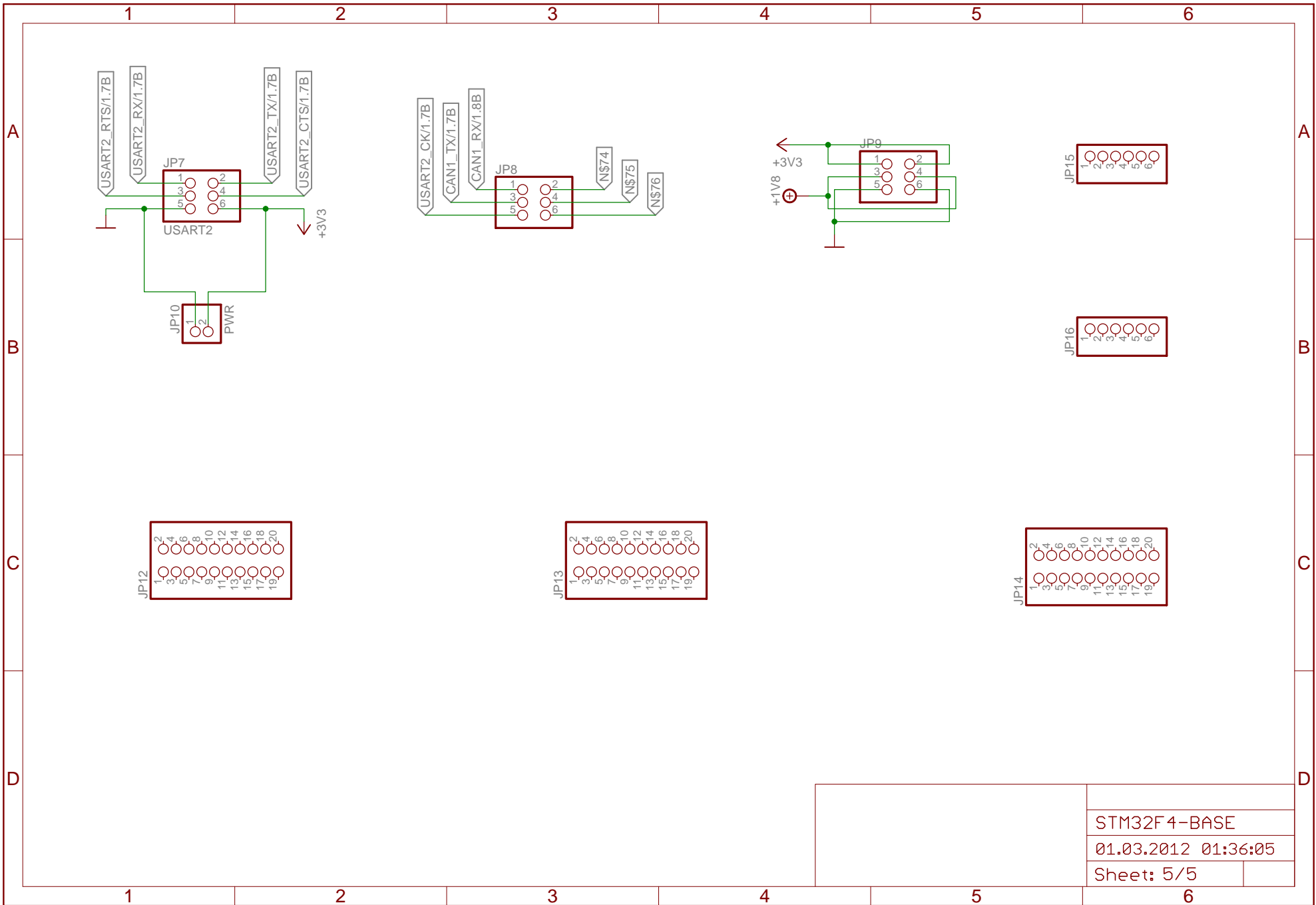




STM32F4-BASE
01.03.2012 01:36:05
Sheet: 3/5



STM32F4-BASE
01.03.2012 01:36:05
Sheet: 4/5



STM32F4-BASE	
01.03.2012 01:36:05	
Sheet: 5/5	