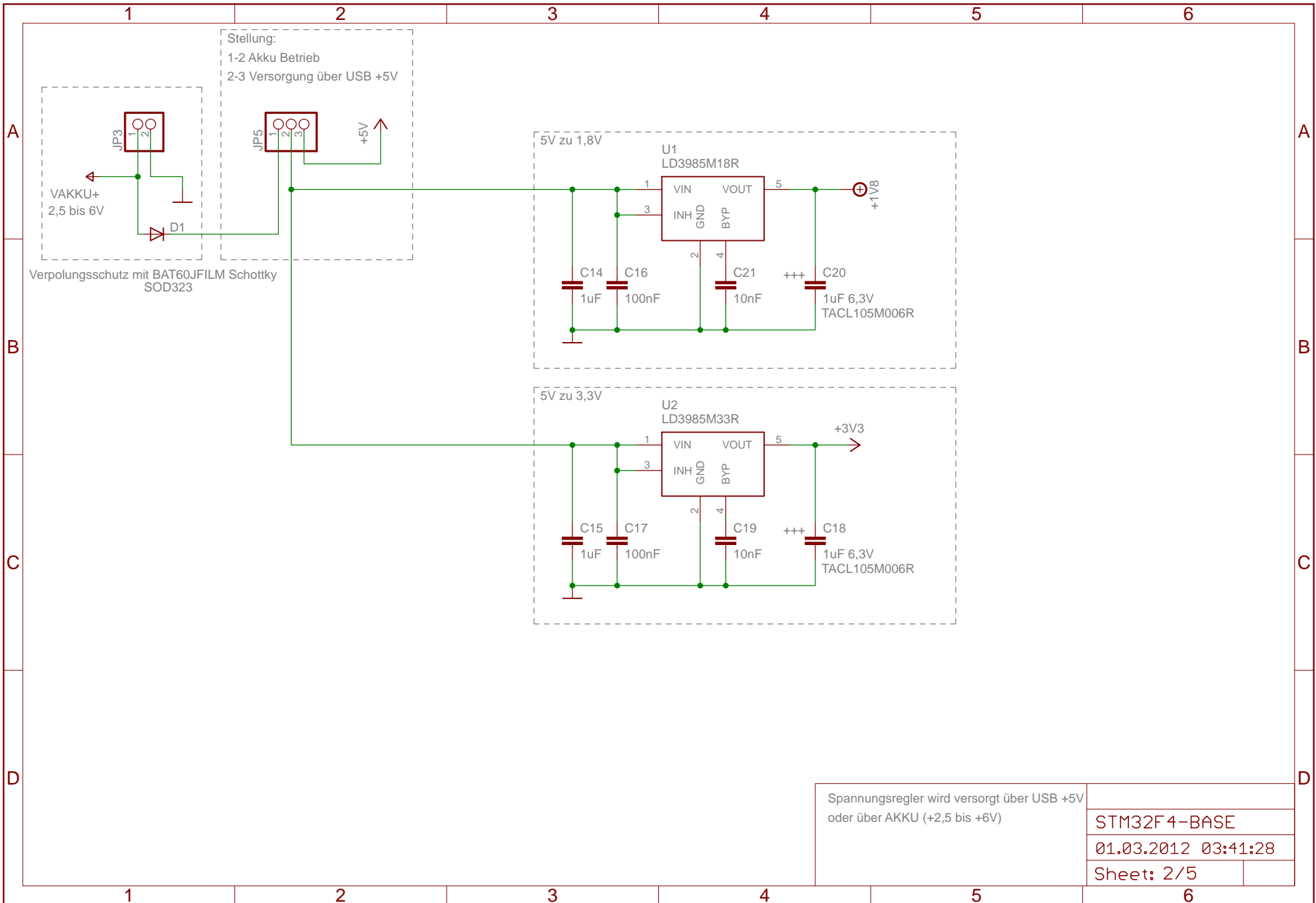
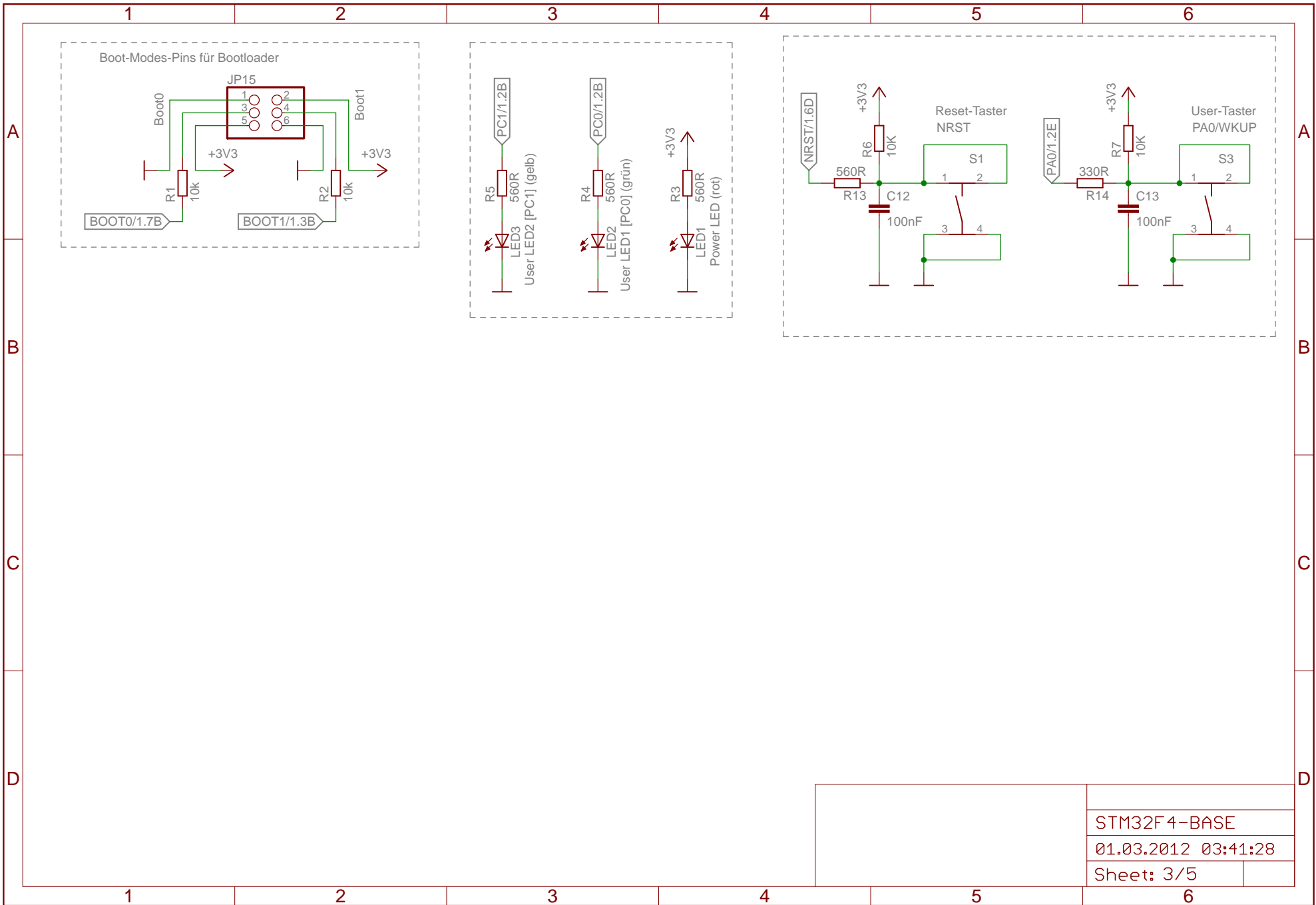
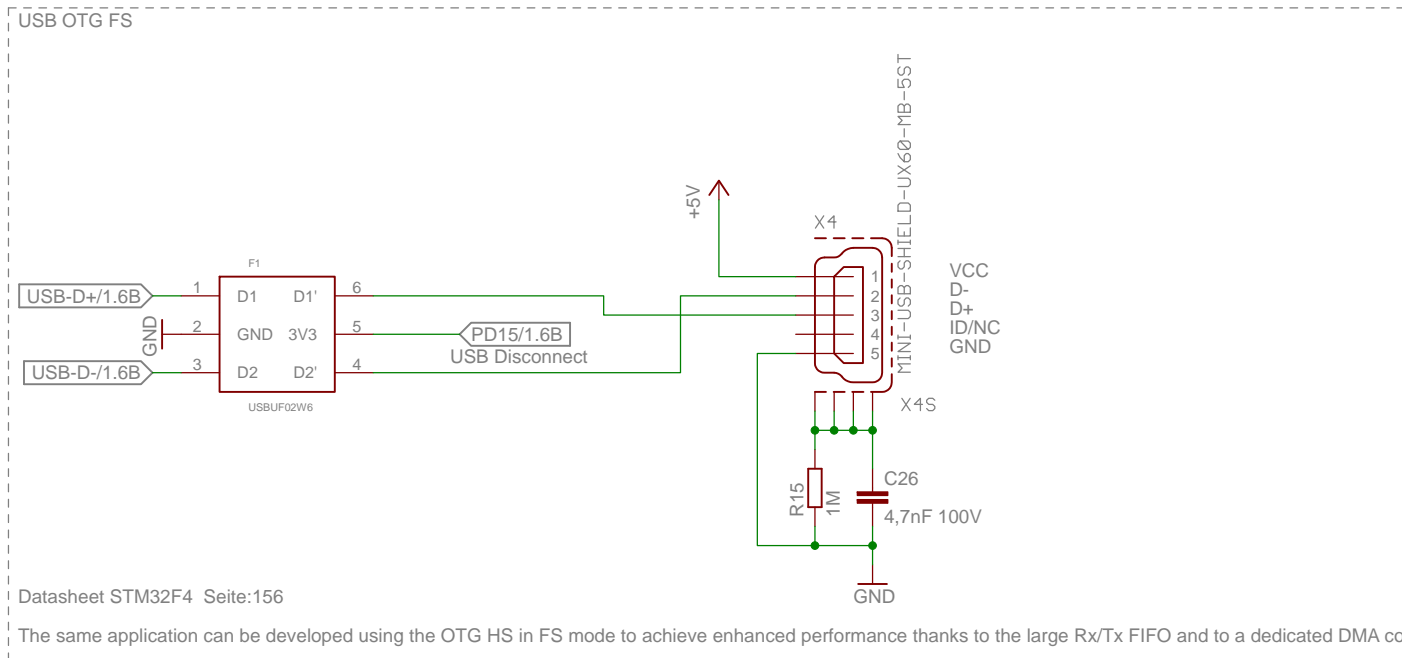


TYP: STM32F407-LQFP100 Basisboard	
Rev. A (29.02.2012)	
by Ersan Günes guenes@ieee.org	
<b>STM32F4-BASE</b>	
<b>01.03.2012 03:41:28</b>	
<b>Sheet: 1/5</b>	

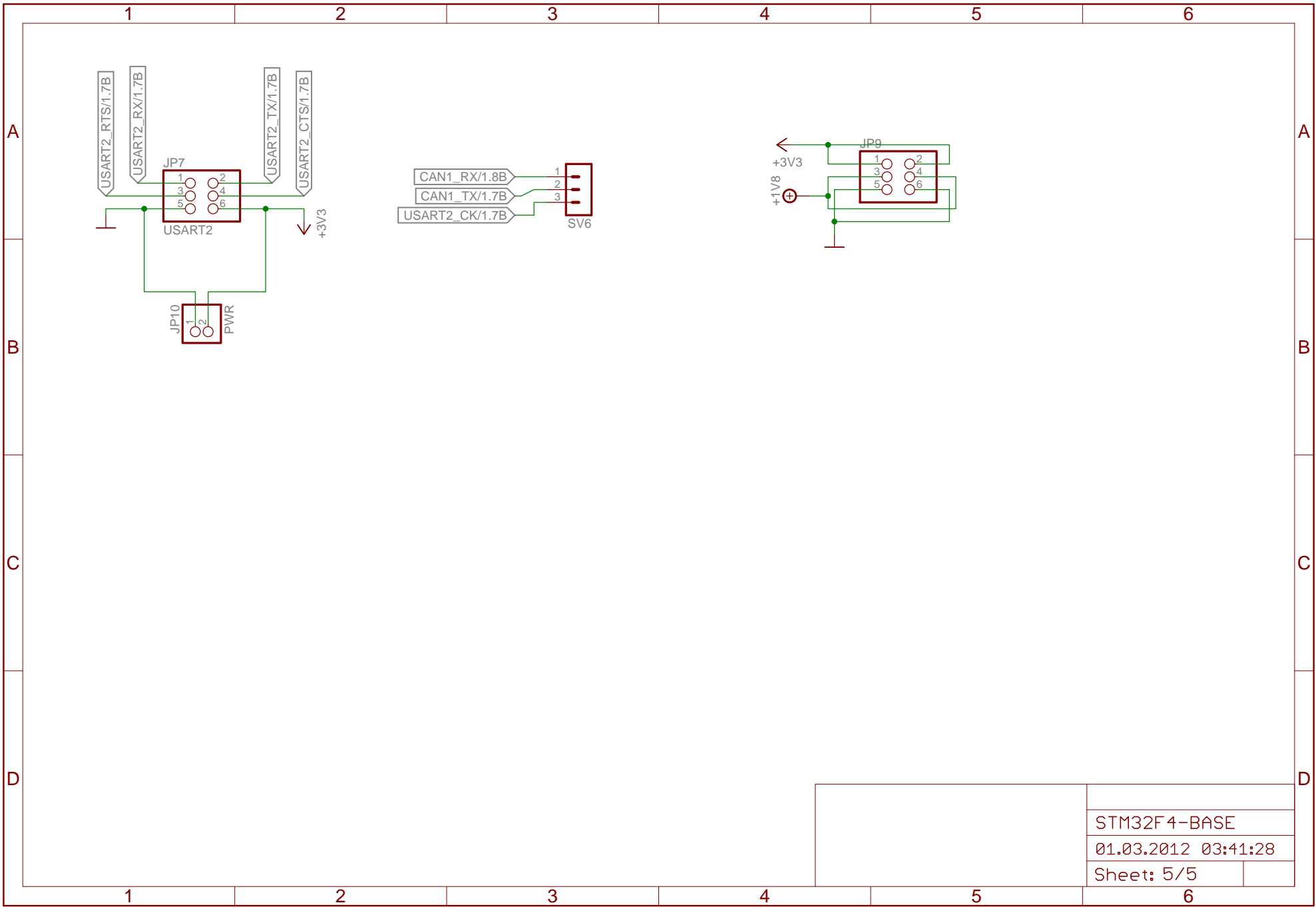




STM32F4-BASE
01.03.2012 03:41:28
Sheet: 3/5



STM32F4-BASE
01.03.2012 03:41:28
Sheet: 4/5



STM32F4-BASE
01.03.2012 03:41:28
Sheet: 5/5