

# Series 1640

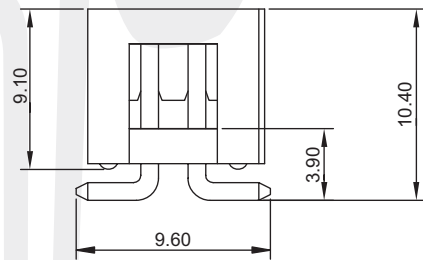
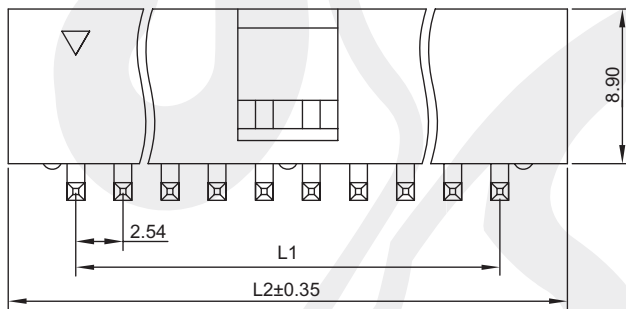
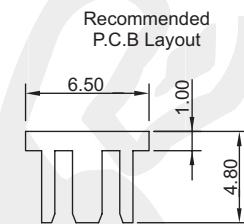
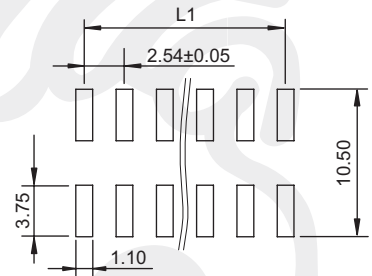
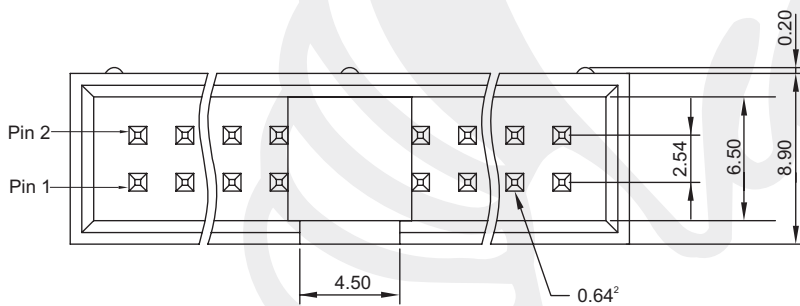
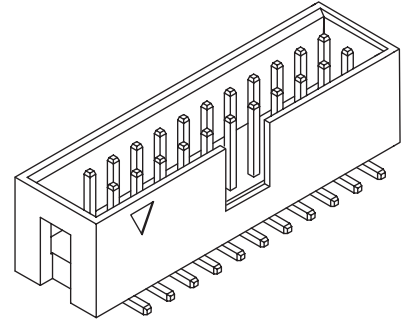
## 2.54mm SMT Box Header

### Material

Contact: Brass  
 Insulator: Nylon 6T, UL94V-0

### Electrical

Current rating: 3.0 Amp  
 Contact resistance: 20 mΩ max.  
 Insulator resistance: 1000 MΩ min.  
 Dielectrical withstanding: 500 VAC/minute  
 Operating temperature: -40°C ~ +105°C



$$L1 = \left( \frac{\text{No. of contacts}}{2} - 1 \right) \times 2.54$$

$$L2 = \left( \frac{\text{No. of contacts}}{2} \right) \times 2.54 + 7.62$$

Tolerances		
Linear	.X	±0.38
	.XX	±0.25
Angle		± 3°



All dim. in mm

<b>1640 V</b>	<b>06</b>	<b>B</b>	<b>R</b>
Series V = SMT vertical	No. of contacts 06 ~ 64	Plating B = flashgold E = 10µ" gold F = 15µ" gold J = 30µ" gold	Packing R = Reel T = Tube