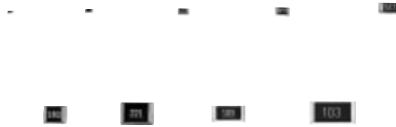


Thick Film Chip Resistors 0201, 0402, 0603, 0805, 1206, 1210, 1812, 2012, 2512

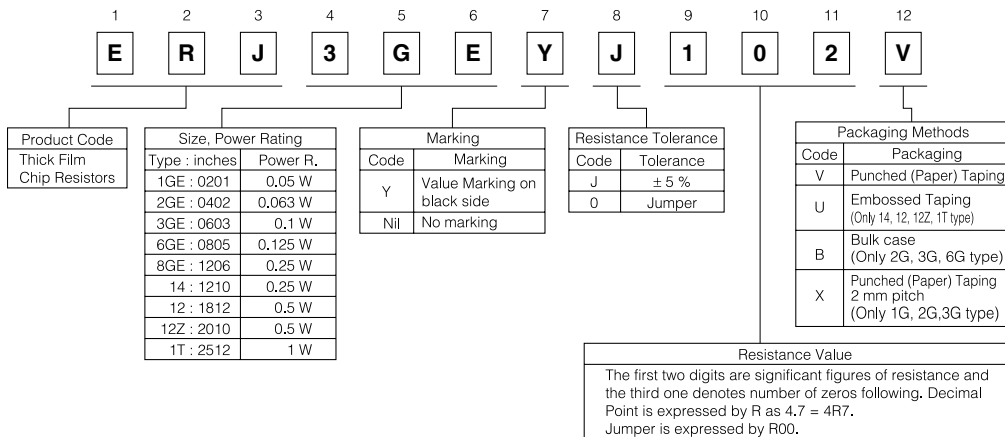
Type: **ERJ 1G, 2G, 3G, 6G, 8G, 14,
12, 12Z, 1T**



■ Features

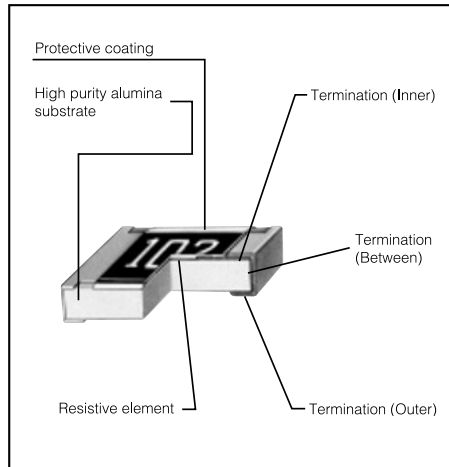
- Small size and lightweight
For PCB size reduction and lightweight products
- High reliability
Metal glaze thick film resistive element and three layers of electrodes result in high reliability
- Matching with placement machine
Taping and bulk case packaging for automatic placement machine
- Solderability
Suitable for both reflow soldering and flow soldering
- Approved under the ISO 9001 system
Approved under the QS-9000 system
- Reference Standards
IEC 60115-8, JIS C 5201-8, EIAJ RC-2134A

■ Explanation of Part Numbers

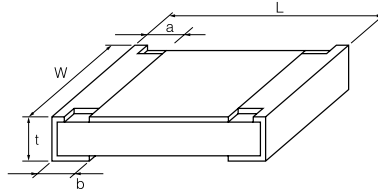


* When omitted, all other P/N factors shall be moved up respectively.

Construction



Dimensions in mm (not to scale)



Type (inches)	Dimensions (mm)					Weight (1000 pcs.)
	L	W	a	b	t	
NEW ERJ1G (0201)	0.60 ^{+0.03}	0.30 ^{+0.03}	0.15 ^{+0.05}	0.15 ^{+0.05}	0.25 ^{+0.05}	0.15 g
ERJ2G (0402)	1.00 ^{+0.05}	0.50 ^{+0.05}	0.20 ^{+0.10}	0.25 ^{+0.05}	0.35 ^{+0.05}	0.8 g
ERJ3G (0603)	1.60 ^{+0.15}	0.80 ^{+0.15} _{-0.05}	0.30 ^{+0.20}	0.30 ^{+0.15}	0.45 ^{+0.10}	2 g
ERJ6G (0805)	2.00 ^{+0.20}	1.25 ^{+0.10}	0.40 ^{+0.20}	0.40 ^{+0.20}	0.60 ^{+0.10}	4 g
ERJ8G (1206)	3.20 ^{+0.25} _{-0.20}	1.60 ^{+0.15} _{-0.10}	0.50 ^{+0.20}	0.50 ^{+0.20}	0.60 ^{+0.10}	10 g
ERJ14 (1210)	3.20 ^{+0.20}	2.50 ^{+0.20}	0.50 ^{+0.20}	0.50 ^{+0.20}	0.60 ^{+0.10}	16 g
ERJ12 (1812)	4.50 ^{+0.20}	3.20 ^{+0.20}	0.50 ^{+0.20}	0.50 ^{+0.20}	0.60 ^{+0.10}	27 g
ERJ12Z (2010)	5.00 ^{+0.20}	2.50 ^{+0.20}	0.60 ^{+0.20}	0.60 ^{+0.20}	0.60 ^{+0.10}	27 g
NEW ERJ1T (2512)	6.40 ^{+0.20}	3.20 ^{+0.20}	0.65 ^{+0.20}	0.60 ^{+0.20}	0.60 ^{+0.10}	45 g

Ratings

Type (inches)	Power Rating at 70 °C (W)	Limiting Element Voltage (Maximum RCWV) ⁽¹⁾ (V)	Maximum Overload Voltage ⁽²⁾ (V)	Resistance Tolerance(%)	Resistance Range (Ω)		T.C.R. ×10 ⁻⁶ /°C (ppm/°C)	Standard Resistance Values
					min.	max.		
ERJ1G (0201)	0.05	15	30	± 5	10	1 M	<10 Ω: -100 to +600	E24
ERJ2G (0402)	0.063	50	100	± 5	1	2.2 M		E24
ERJ3G (0603)	0.1	50	100	± 5	1	10 M		E24
ERJ6G (0805)	0.125	150	200	± 5	1	10 M		E24
ERJ8G (1206)	0.25	200	400	± 5	1	10 M		E24
ERJ14 (1210)	0.25	200	400	± 5	1	10 M	10 Ω to 1 MΩ: ±200	E24
ERJ12, 12Z (1812, 2010)	0.5	200	400	± 5	1	10 M		E24
ERJ1T (2512)	1	200	400	± 5	1	1 M		E24

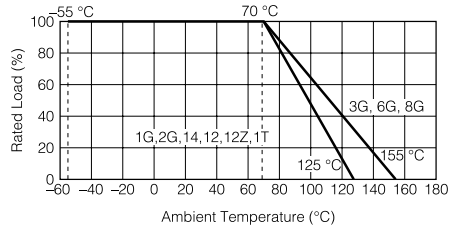
		Rated Current	Maximum Overload Current
Jumper	1G	0.5 A	1 A
	2G·3G	1 A	2 A
	6G·8G·14·12·12Z·1T	2 A	4 A

(1) Rated Continuous Working Voltage (RCWV) shall be determined from $RCWV = \sqrt{\text{Power Rating} \times \text{Resistance Values}}$, or Limiting Element Voltage (max. RCWV) listed above, whichever is less.

(2) Overload (Short-time Overload) Test Voltage (SOTV) shall be determined from $SOTV = 2.5 \times \text{Power Rating}$ or max. Overload Voltage listed above whichever is less.

Power Derating Curve

For resistors operated in ambient temperatures above 70 °C, power rating shall be derated in accordance with the figure on the right.

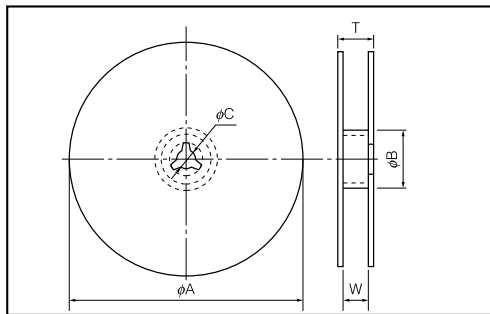


■ Packaging Methods

● Standard Quantity

Type (inches)	Thickness (mm)	Punched (Paper) Taping (4 mm pitch)	Embossed Taping (4 mm pitch)	Bulk Case
ERJ1G (0201)	0.25	10000 pcs./reel (2 mm pitch)		
ERJ2G (0402)	0.35	10000 pcs./reel (2 mm pitch)		50000 pcs./case
ERJ3G (0603)	0.45	10000 pcs./reel (2 mm pitch) 5000, 10000 pcs./reel		25000 pcs./case
ERJ6G (0805)	0.6	5000, 10000 pcs./reel		10000 pcs./case
ERJ8G (1206)	0.6	5000, 10000 pcs./reel		
ERJ14 (1210)	0.6		5000 pcs./reel	
ERJ12, 12Z (1812, 2010)	0.6		5000 pcs./reel	
ERJ1T (2512)	0.6		4000 pcs./reel	

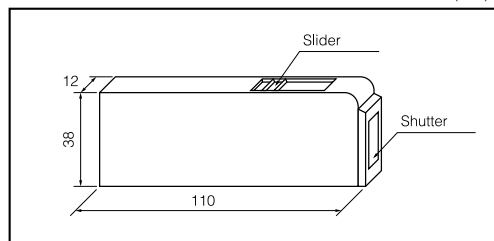
● Taping Reel



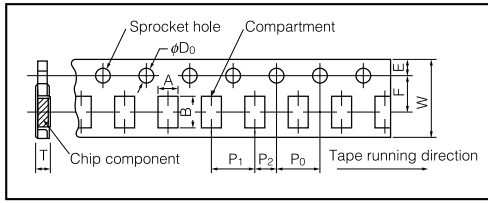
Dimensions (mm)	Type	φA	φB	φC	W	T
	1G, 2G, 3G	180.0 ⁰ _{±0.0}	60 min.	13.0 ^{+1.0}	9.0 ^{+1.0}	11.4 ^{+2.0}
	6G, 8G, 14				13.0 ^{+1.0}	15.4 ^{+2.0}
	12, 12Z, 1T					

Note φA: 10000 pcs./reel=255 20000 pcs./reel=330

● Bulk Case



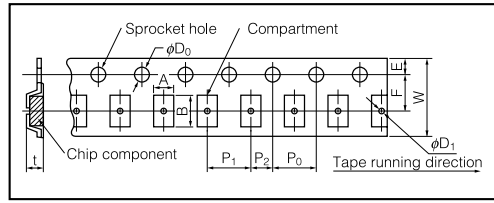
● Punched (Paper) Taping



Dimensions (mm)	Type	A	B	W	F	E
	1G	0.40 ^{+0.05}	0.70 ^{+0.05}			
2G	0.70 ^{+0.05}	1.20 ^{+0.05}				
3G	1.10 ^{+0.10}	1.90 ^{+0.10}		8.00 ^{+0.20}	3.50 ^{+0.05}	1.75 ^{+0.10}
6G	1.65 ^{+0.15}	2.50 ^{+0.20}				
8G	2.00 ^{+0.15}	3.60 ^{+0.20}				

Dimensions (mm)	Type	P ₁	P ₂	P ₀	φD ₀	T
	1G					
2G		2.00 ^{+0.10}				0.45 ^{+0.05}
3G			2.00 ^{+0.05}	4.00 ^{+0.10}	1.50 ^{+0.10}	0.64 ^{+0.05}
6G		4.00 ^{+0.10}				
8G						0.84 ^{+0.05}

● Embossed Taping



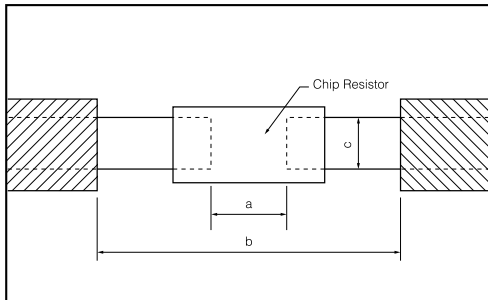
Dimensions (mm)	Type	A	B	W	F	E	P ₁
	14	2.80 ^{+0.20}	3.50 ^{+0.20}	8.00 ^{+0.30}	3.50 ^{+0.05}		
12	3.50 ^{+0.20}	4.80 ^{+0.20}					
12Z	2.80 ^{+0.20}	5.30 ^{+0.20}	12.00 ^{+0.30}	5.50 ^{+0.05}		1.75 ^{+0.10}	4.00 ^{+0.10}
1T	3.60 ^{+0.20}	6.90 ^{+0.20}					

Dimensions (mm)	Type	P ₂	P ₀	φD ₀	t	φD ₁
	14					
12						
12Z		2.00 ^{+0.05}	4.00 ^{+0.10}	1.50 ^{+0.10}	1.00 ^{+0.10}	1.5 min.
1T						

⚠ Safety Precautions

In the case of flow soldering, the land width must be smaller than the Chip Resistor width to control the solder amount properly. Generally, the land width should be 0.7 to 0.8 times the width of chip resistor (W).

In the case of reflow soldering, solder amount can be adjusted, therefore the land width should be set to 1.0 to 1.3 times chip resistor width (W).



Type (inches)	Dimensions (mm)		
	a	b	c
ERJ1G (0201)	0.3 to 0.4	0.8 to 0.9	0.25 to 0.35
ERJ2G (0402)	0.5 to 0.6	1.4 to 1.6	0.4 to 0.6
ERJ3G (0603)	0.7 to 0.9	2 to 2.2	0.8 to 1
ERJ6G (0805)	1 to 1.4	3.2 to 3.8	0.9 to 1.4
ERJ8G (1206)	2 to 2.4	4.4 to 5	1.2 to 1.8
ERJ14 (1210)	2 to 2.4	4.4 to 5	1.8 to 2.8
ERJ12 (1812)	3.3 to 3.7	5.7 to 6.5	2.3 to 3.5
ERJ12Z (2010)	3.6 to 4	6.2 to 7	1.8 to 2.8
ERJ1T (2512)	5 to 5.4	7.6 to 8.6	2.3 to 3.5

1. If transient load (heavy load in a short time) such as pulse is expected to be applied, carry out evaluation and confirmation test with the resistors actually mounted on your own board.
When the load of more than rated power is applied under the load condition at steady state, it may impair performance and/or reliability of resistor.
Never exceed the rated power.
2. Chlorine type or other high-activity flux is not recommended as the residue may affect performance or reliability of resistors.
3. When soldering with soldering iron, never touch the body of the chip resistor with a tip of the soldering iron. When using a soldering iron with a tip at high temperature, solder for as short a time as possible (three seconds or less up to 350 °C).
4. Avoid physical shock to the resistor and nipping of the resistor with hard tool (a pair of pliers or tweezers) as it may damage protective film or the body of resistor and may affect resistor's performance.