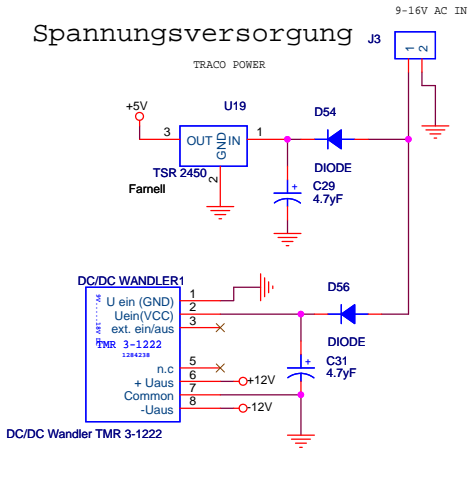
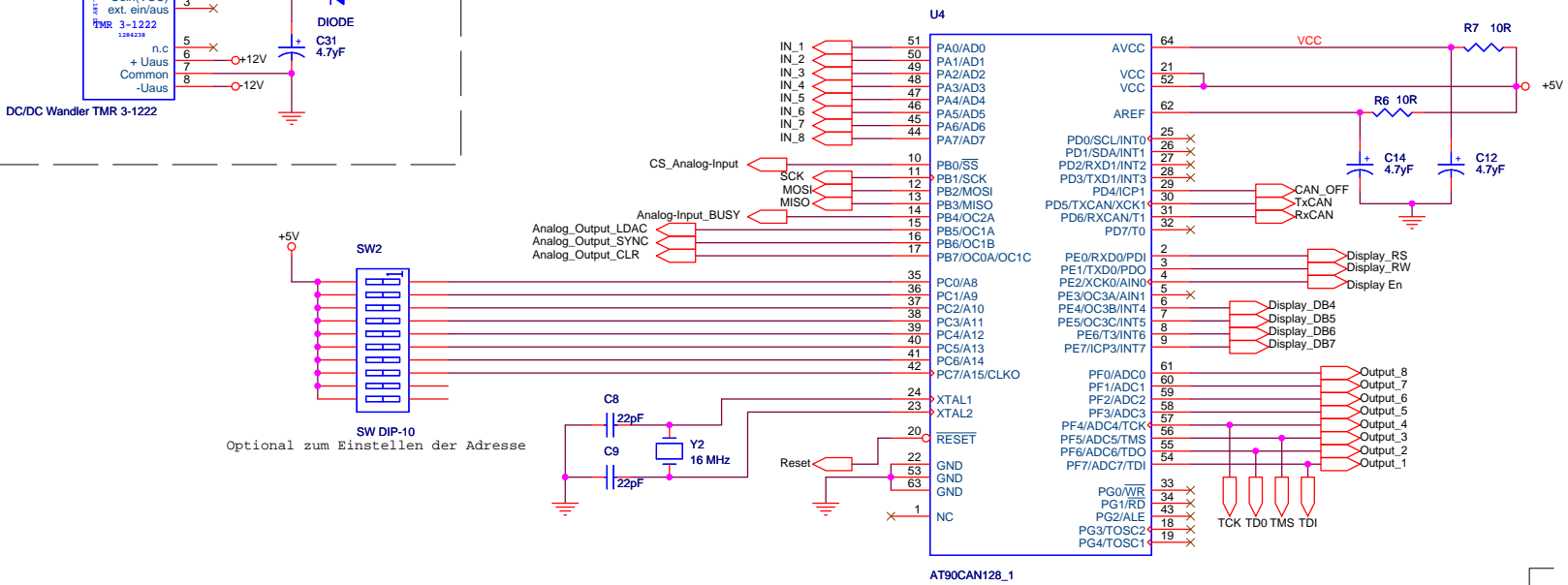


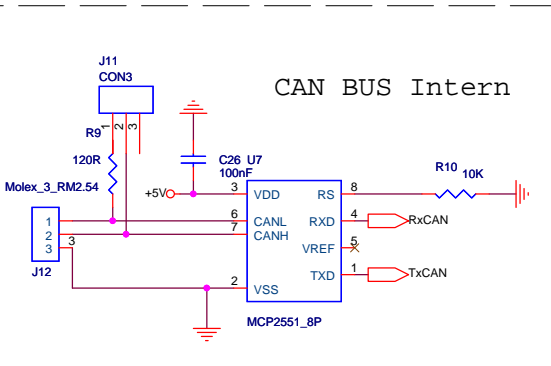
Spannungsversorgung



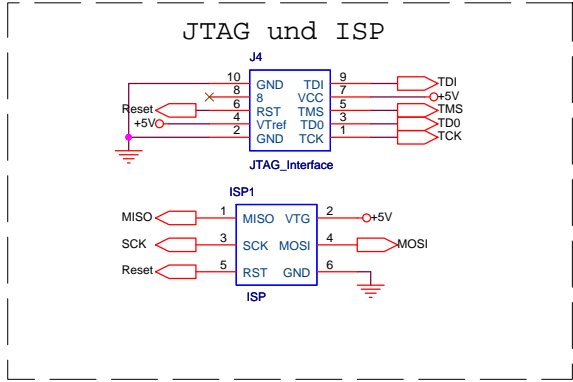
Microcontroller



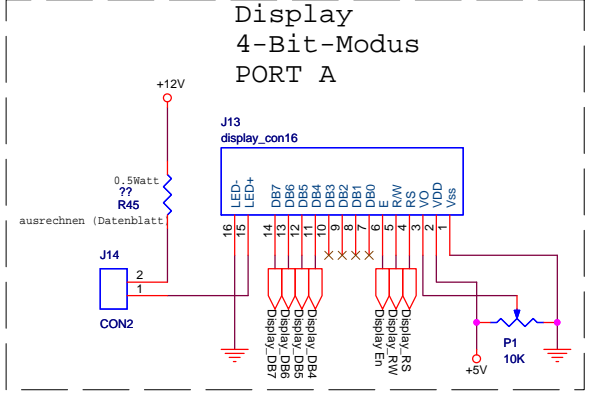
CAN BUS Intern



JTAG und ISP

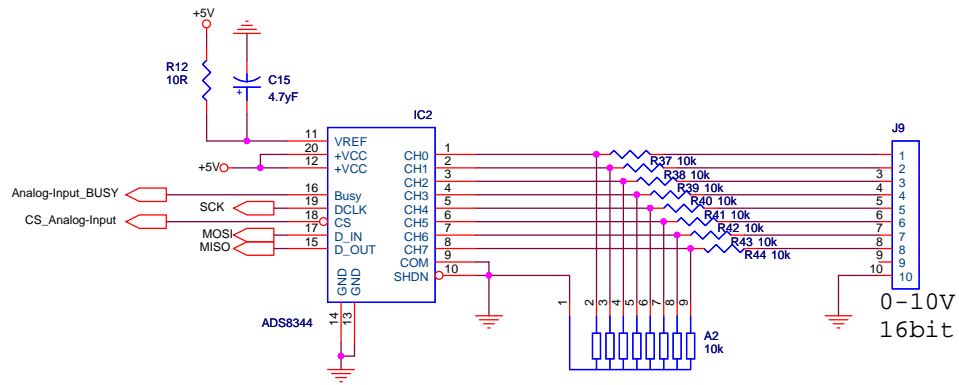


Display 4-Bit-Modus PORT A

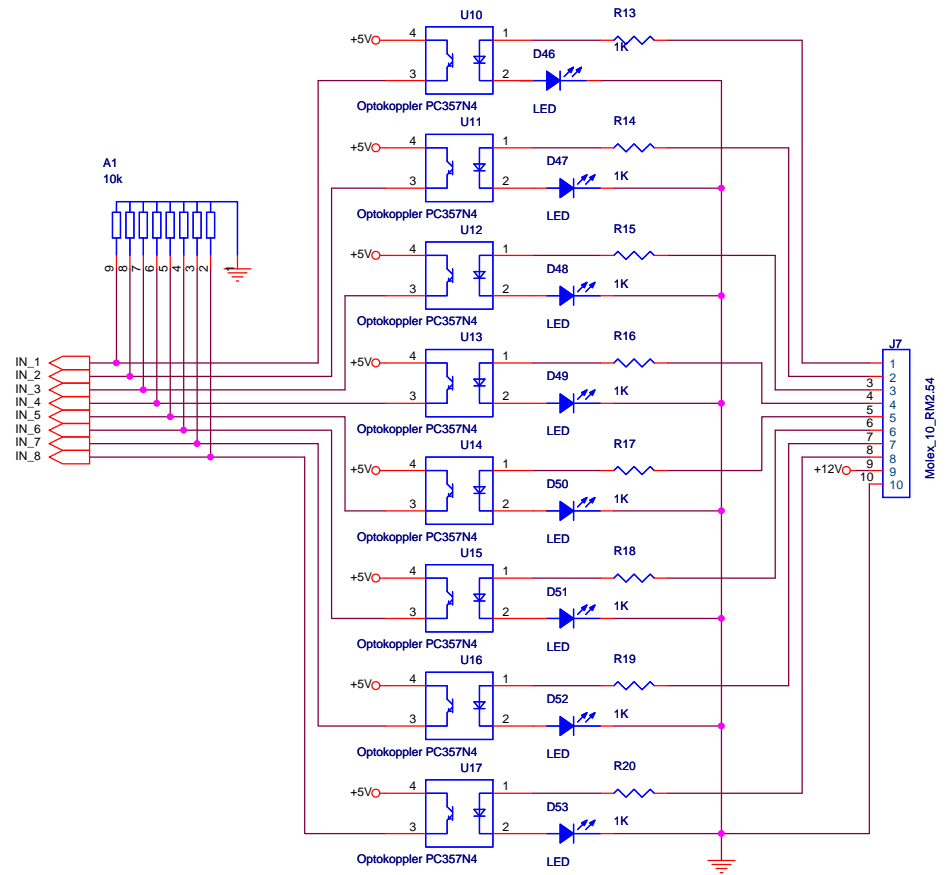


| | | |
|------------|-----------------------------|--------------|
| Title | | |
| Controller | | |
| Size | Document Number | Rev |
| A3 | 2 | Simon |
| Date: | Saturday, February 04, 2012 | Sheet 1 of 1 |

Analog-Eingänge

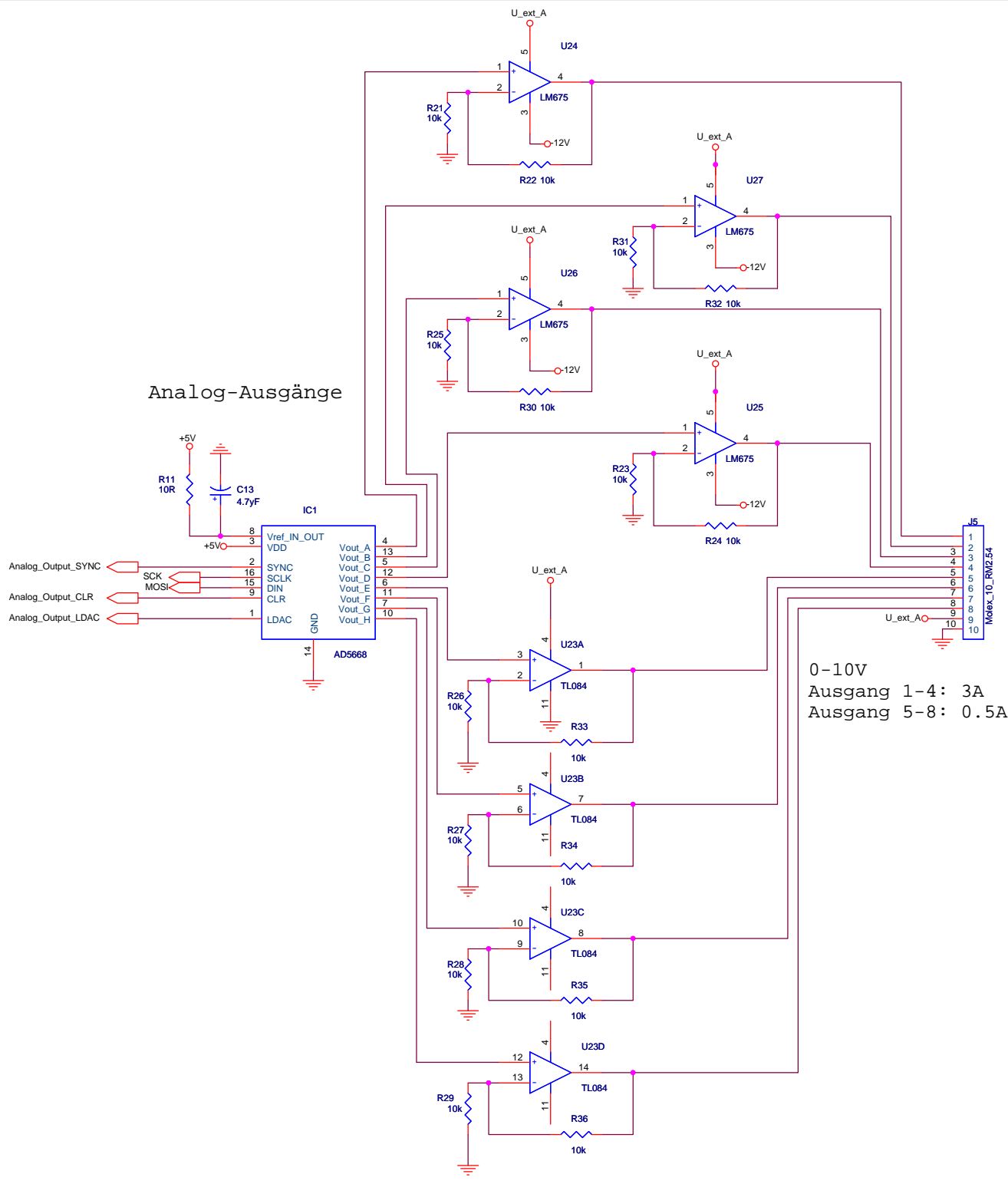


8x Digitaleingänge

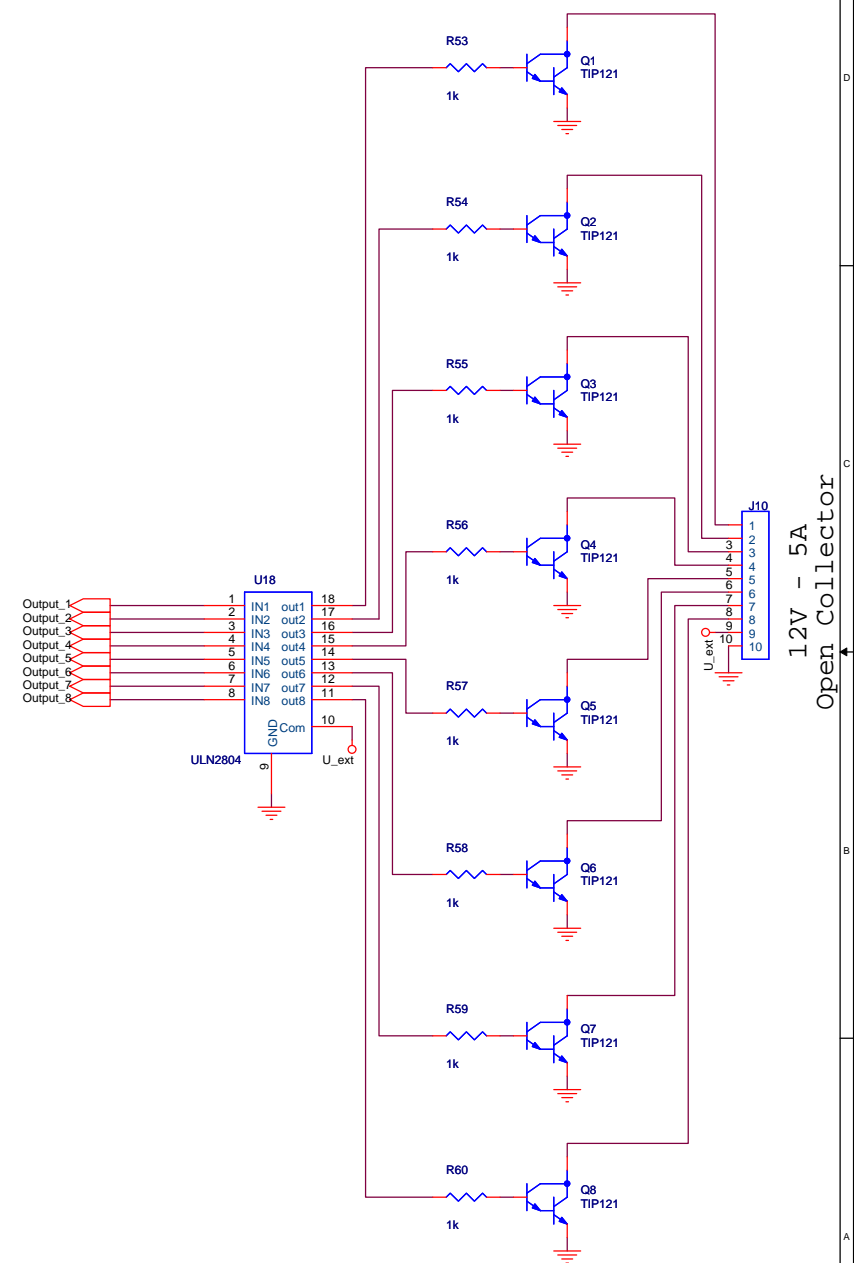


| | | | |
|-------|-----------------------------|-----------------|--------|
| Title | | Eingänge | |
| Size | A3 | Document Number | <Doc> |
| Date: | Saturday, February 04, 2012 | Sheet | 1 of 1 |
| Rev | SW | | |

Analog-Ausgänge



Digital-Ausgänge



| | | | |
|-------|-----------------------------|-------|----------|
| Title | | | Ausgänge |
| Size | Document Number | Rev | |
| A3 | <Doc> | SW | |
| Date: | Saturday, February 04, 2012 | Sheet | 1 of 1 |