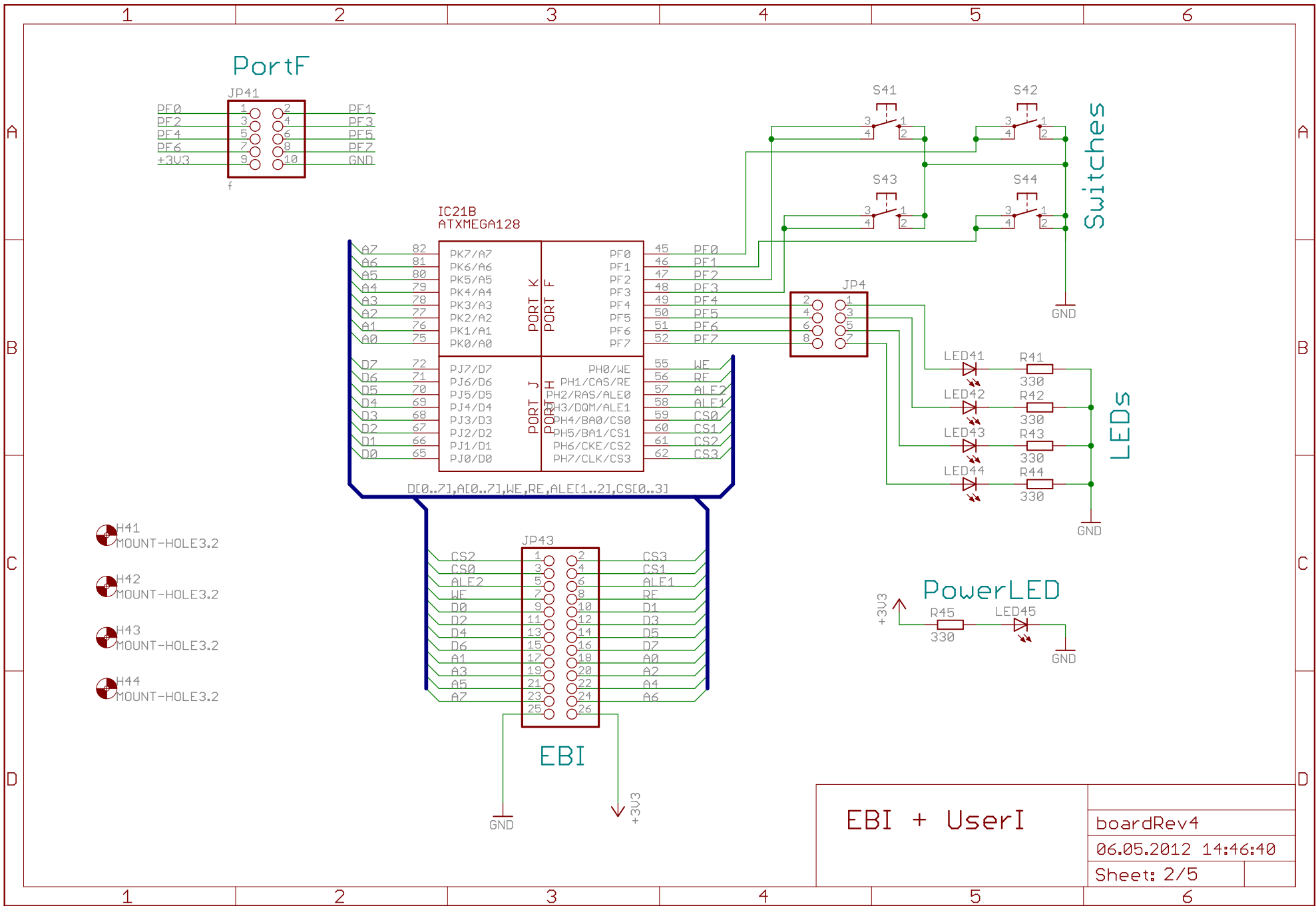
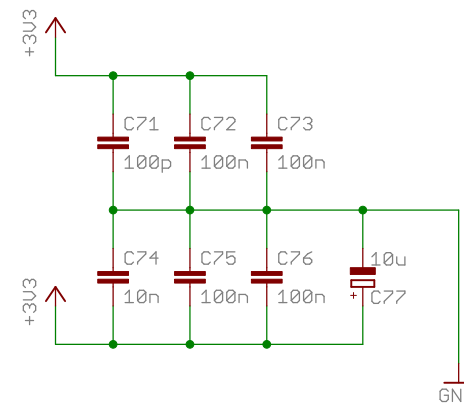
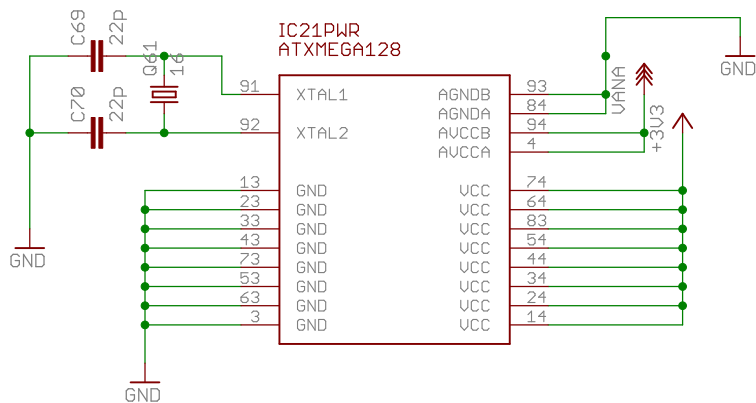
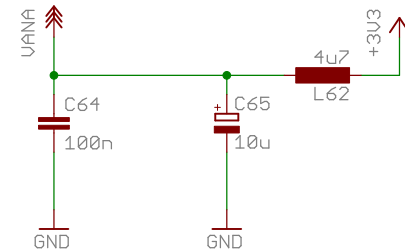
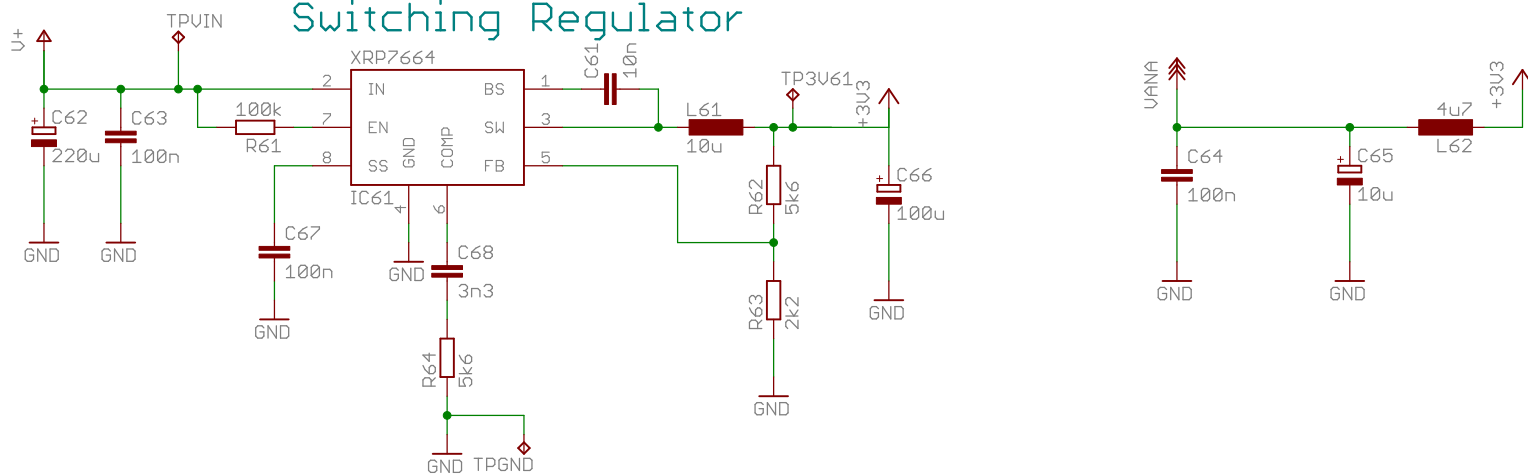


I/O + PDI

boardRev4	
06.05.2012 14:46:40	
Sheet: 1/5	

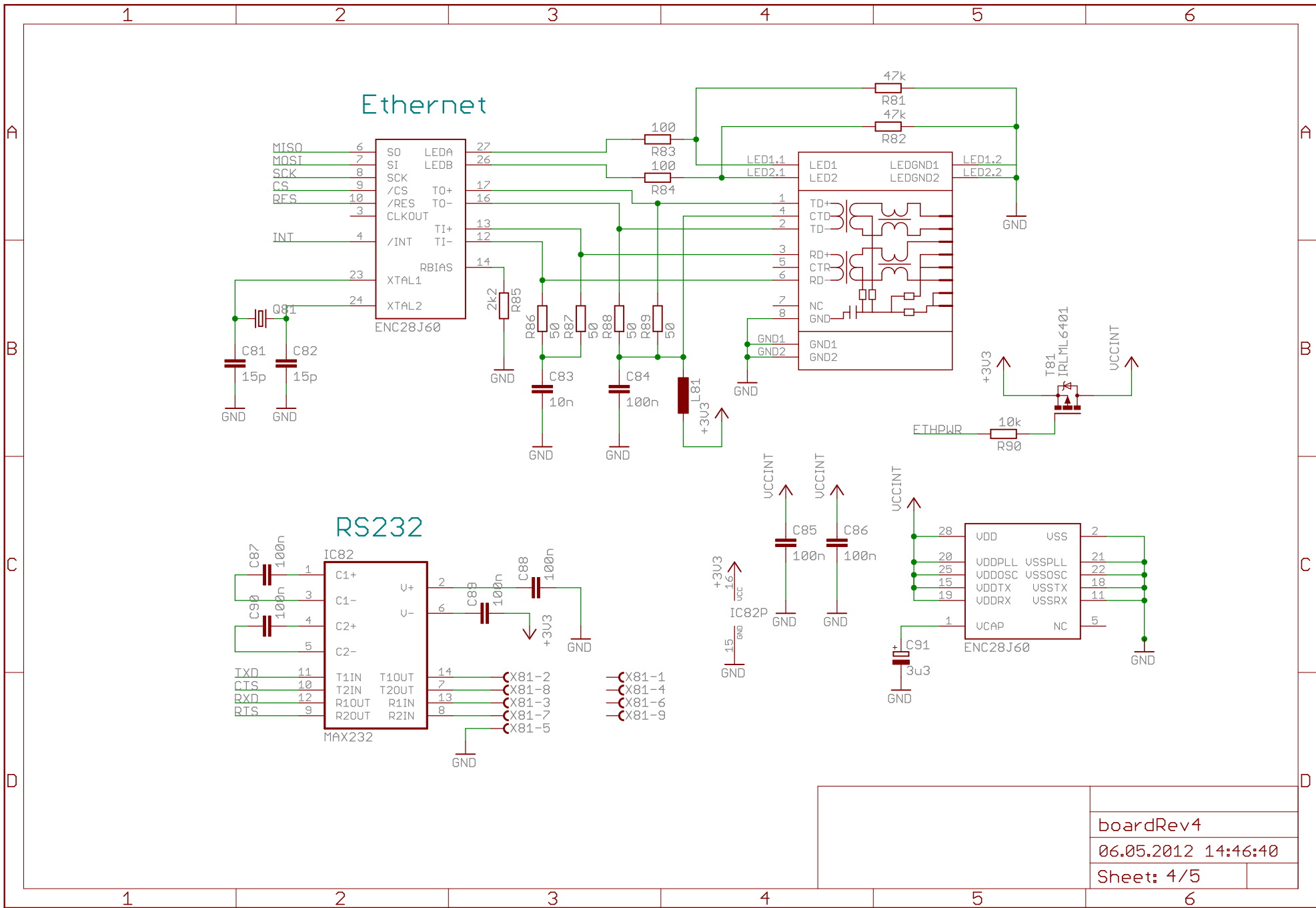


# Switching Regulator

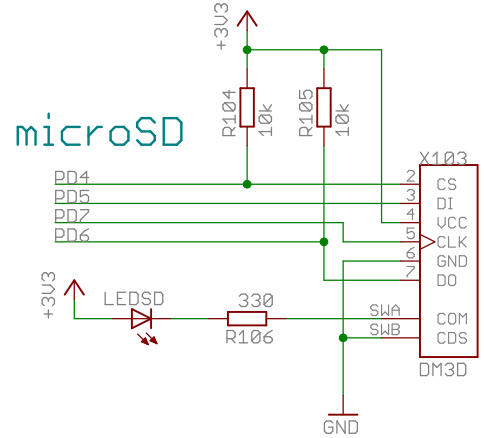
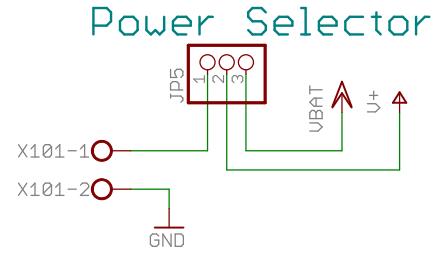
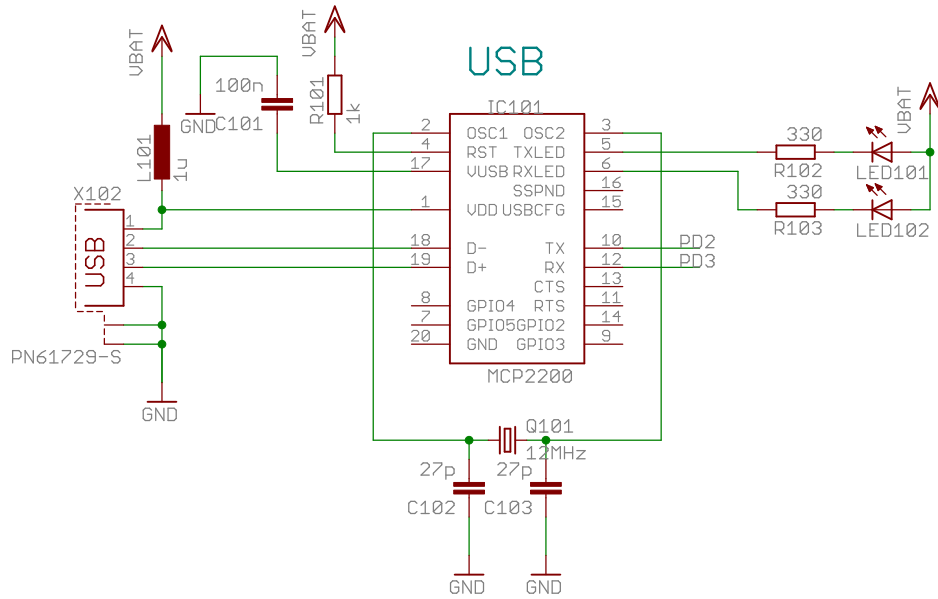


Power Supply

boardRev4
06.05.2012 14:46:40
Sheet: 3/5



boardRev4	
06.05.2012 14:46:40	
Sheet: 4/5	



boardRev4	
06.05.2012 14:46:40	
Sheet: 5/5	