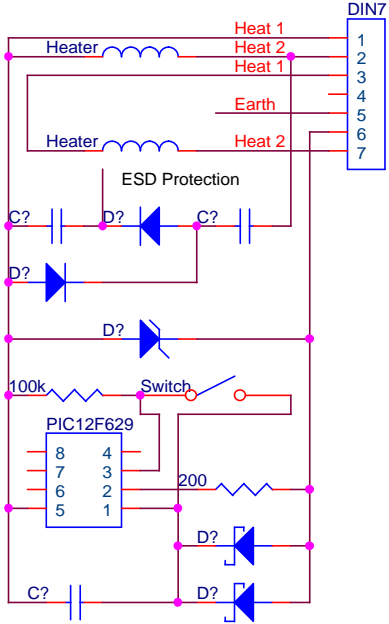
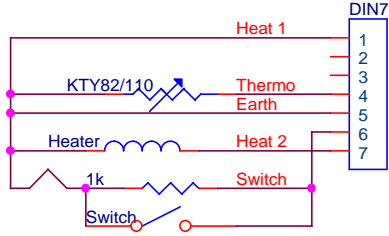


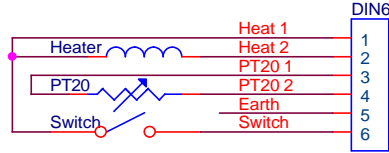
HAP200



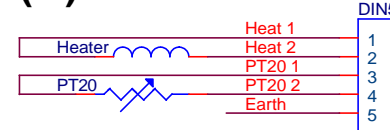
WMRP



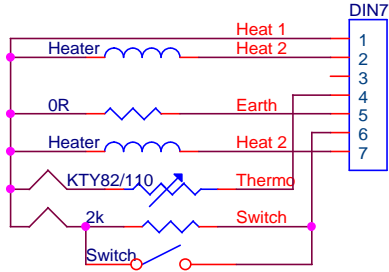
DS21



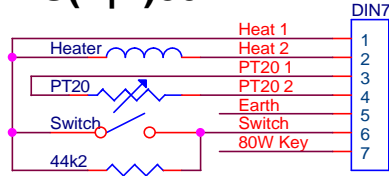
(M)LR20



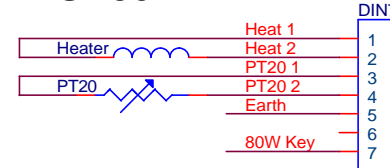
WMRT



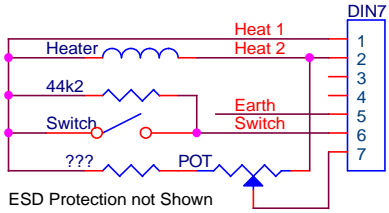
DS(X|V)80



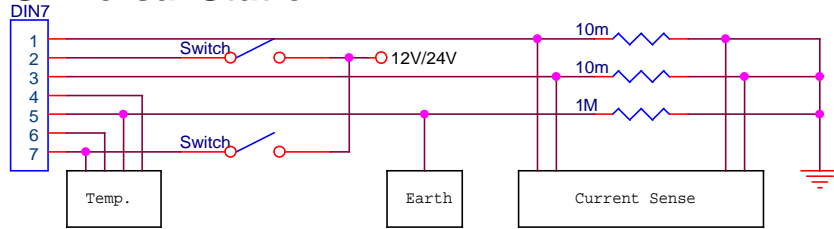
WSP80



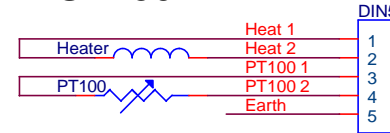
HAP1



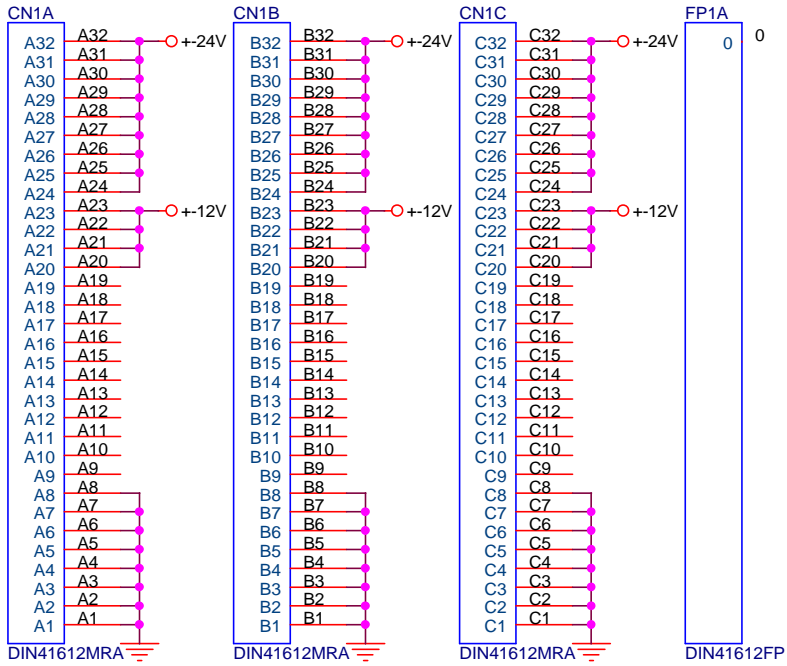
Universal Station



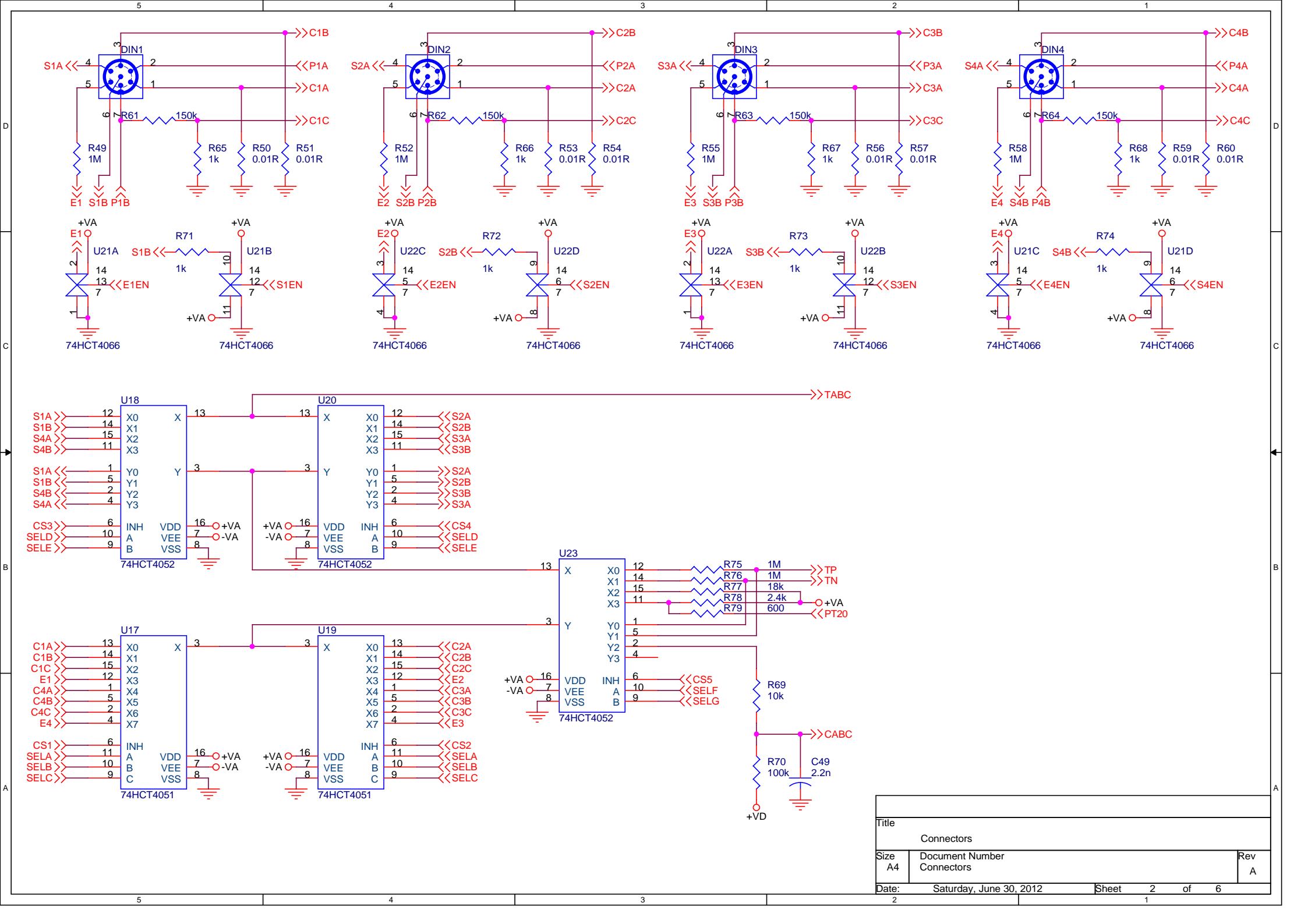
WSP150



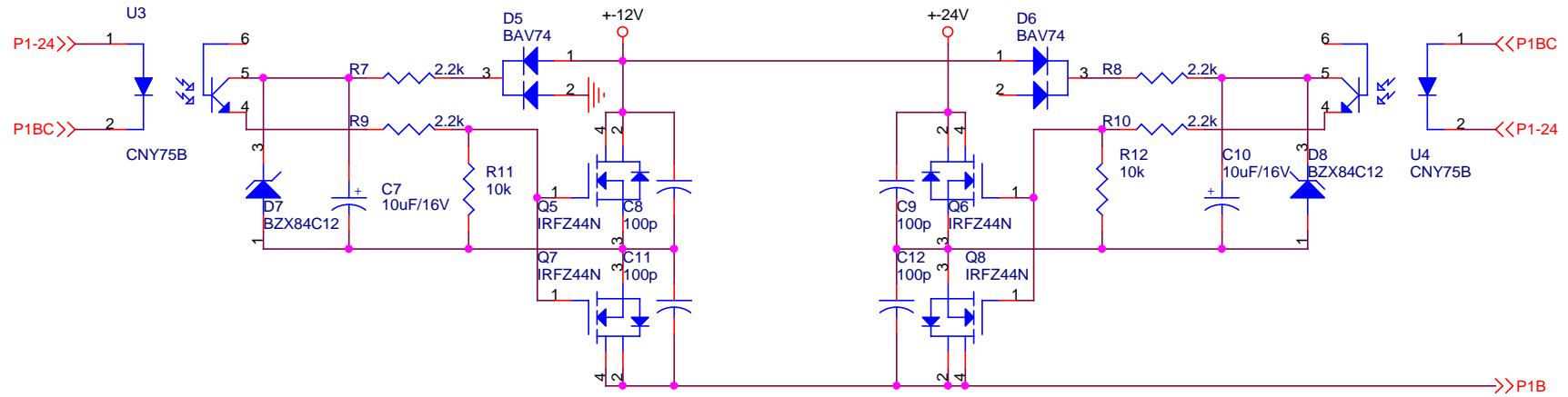
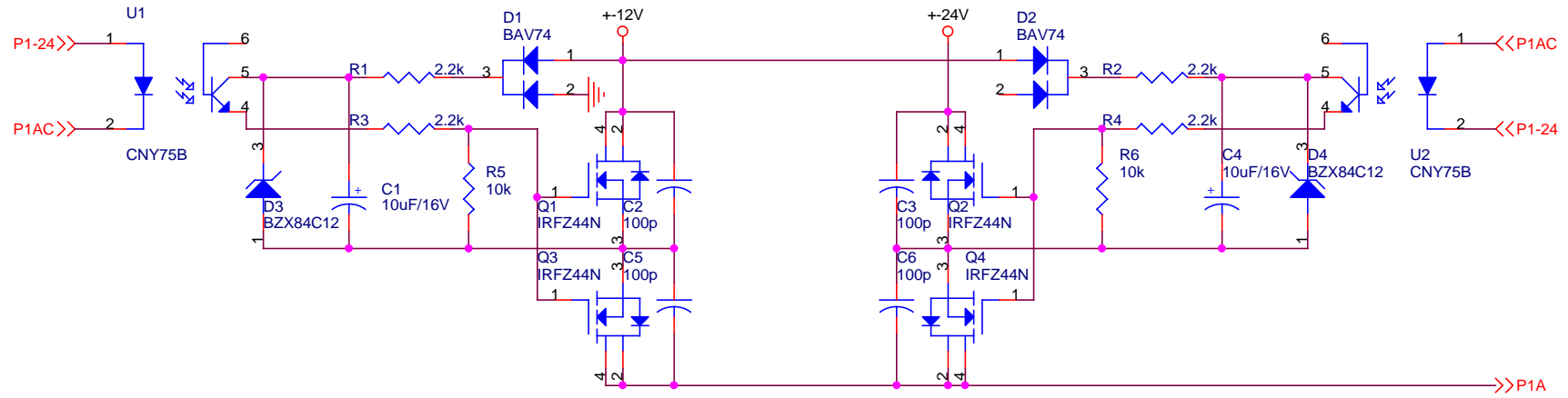
Title		
Weller Irons		
Size	Document Number	Rev
A4	Weller-Irons	A
Date:	Thursday, June 14, 2012	Sheet 1 of 1



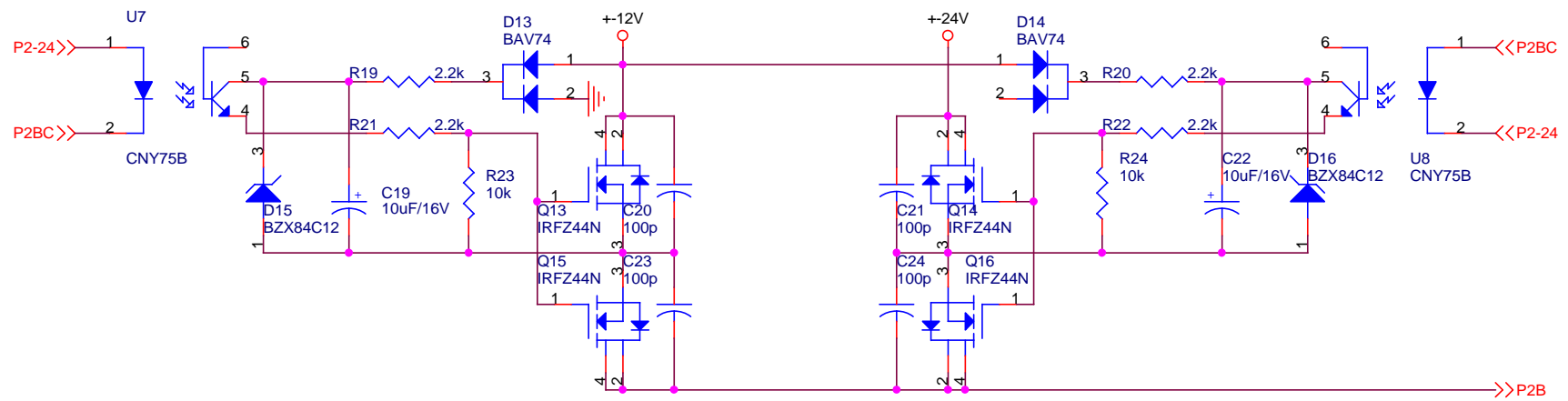
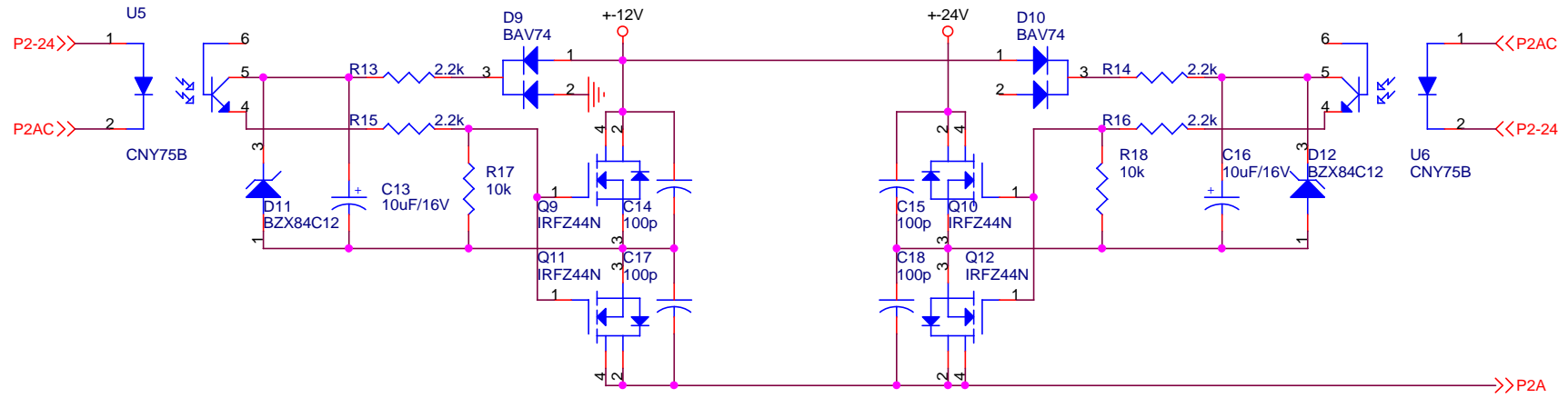
Title		
Bus		
Size A4	Document Number {Doc}	Rev A
Date: Friday, June 29, 2012	Sheet 1	of 6



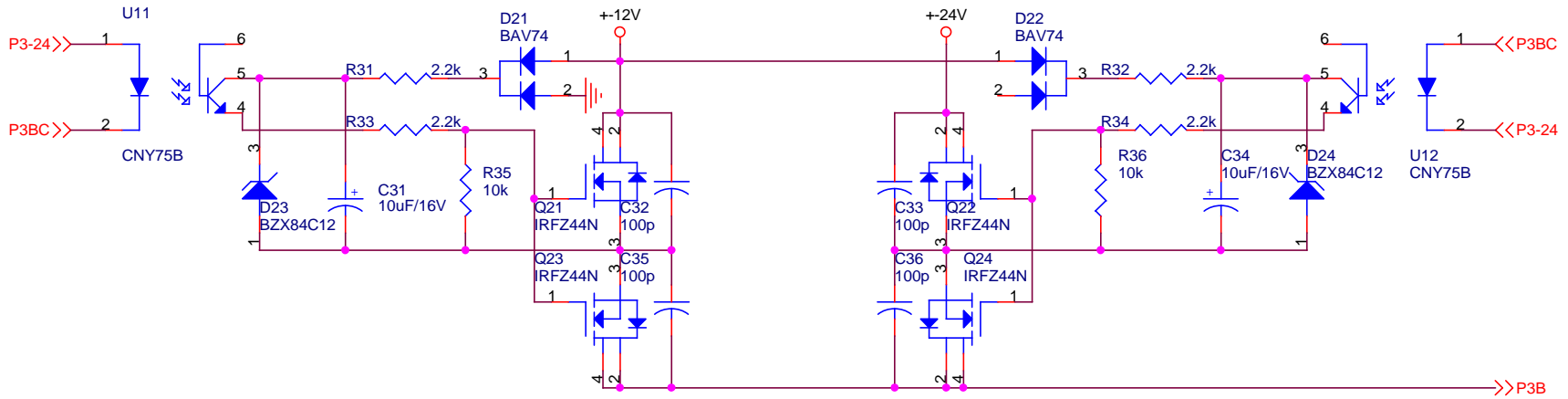
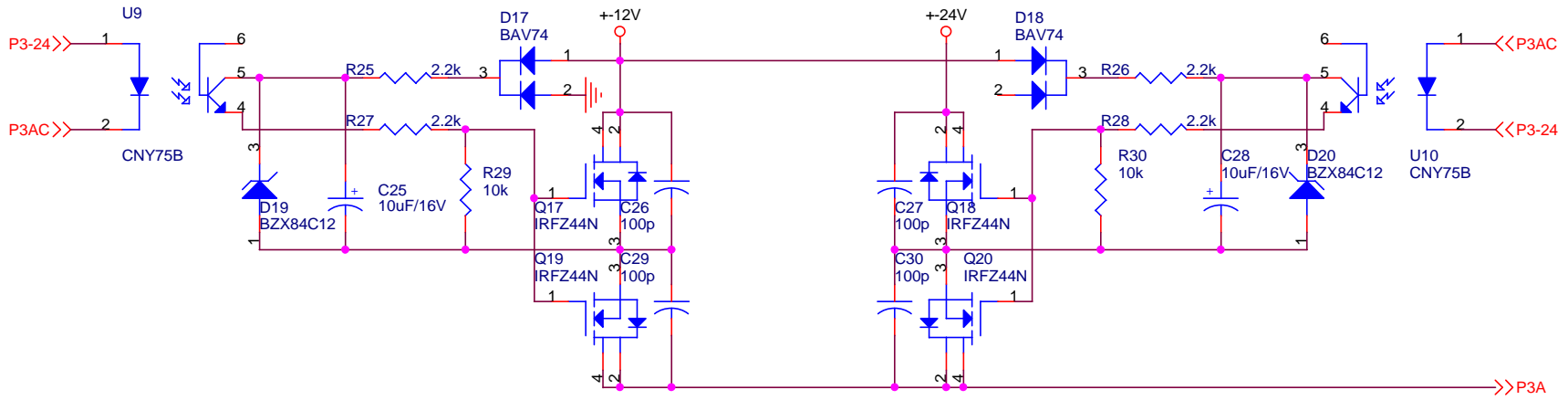
Title		
Connectors		
Size	Document Number	Rev
A4	Connectors	A
Date:	Saturday, June 30, 2012	Sheet 2 of 6



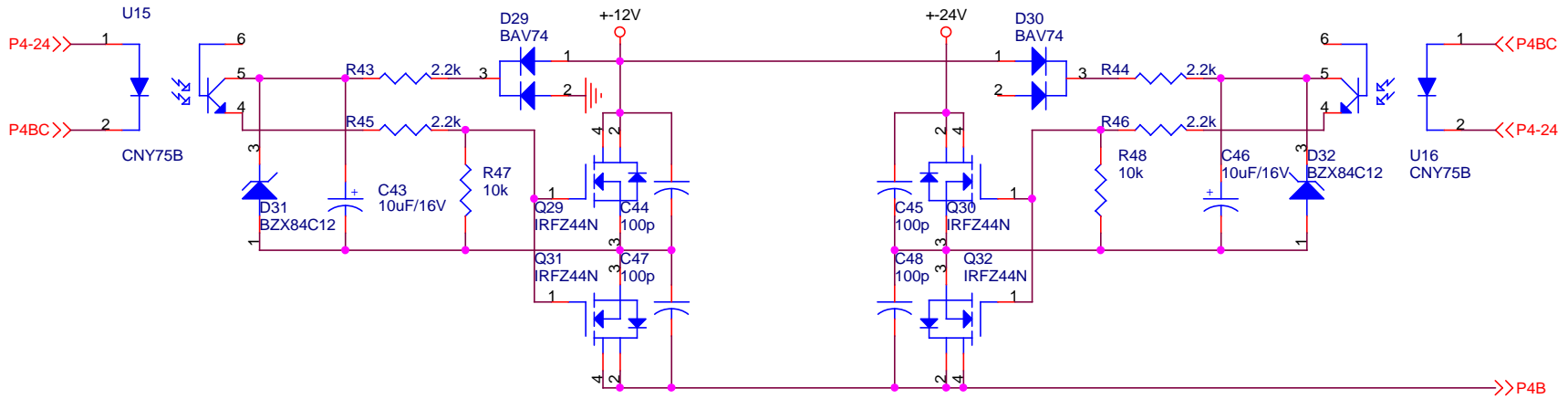
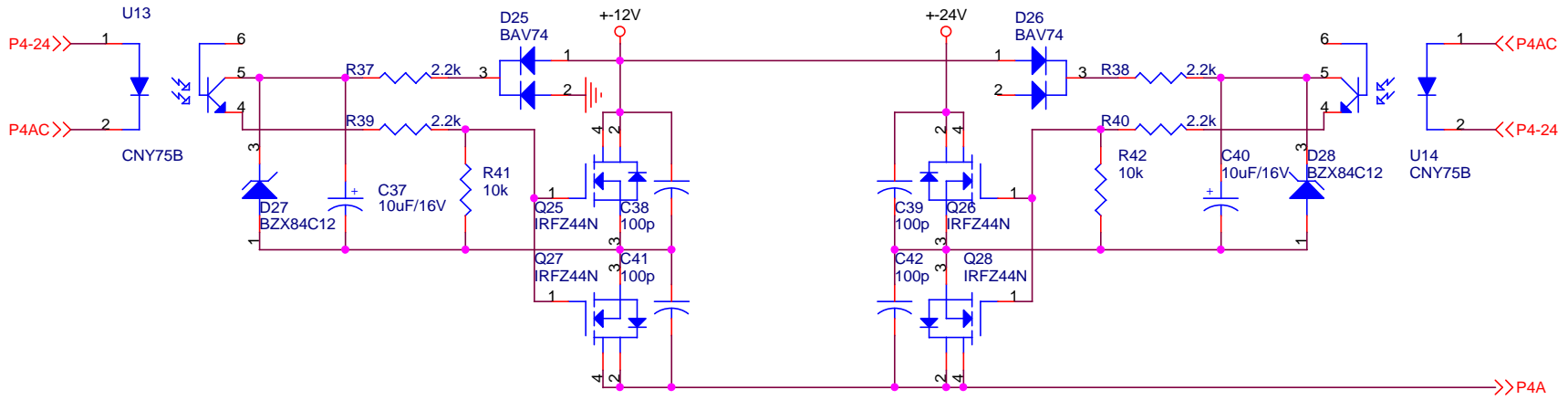
Title		
12V/24V Driver Stage		
Size	Document Number	Rev
A4	{Doc}	A
Date:	Friday, June 29, 2012	Sheet 3 of 6



Title		
12V/24V Driver Stage		
Size	Document Number	Rev
A4	{Doc}	A
Date:	Friday, June 29, 2012	Sheet 4 of 6



Title		
12V/24V Driver Stage		
Size	Document Number	Rev
A4	{Doc}	A
Date:	Friday, June 29, 2012	Sheet 5 of 6



Title		
12V/24V Driver Stage		
Size	Document Number	Rev
A4	{Doc}	A
Date:	Friday, June 29, 2012	Sheet 6 of 6

