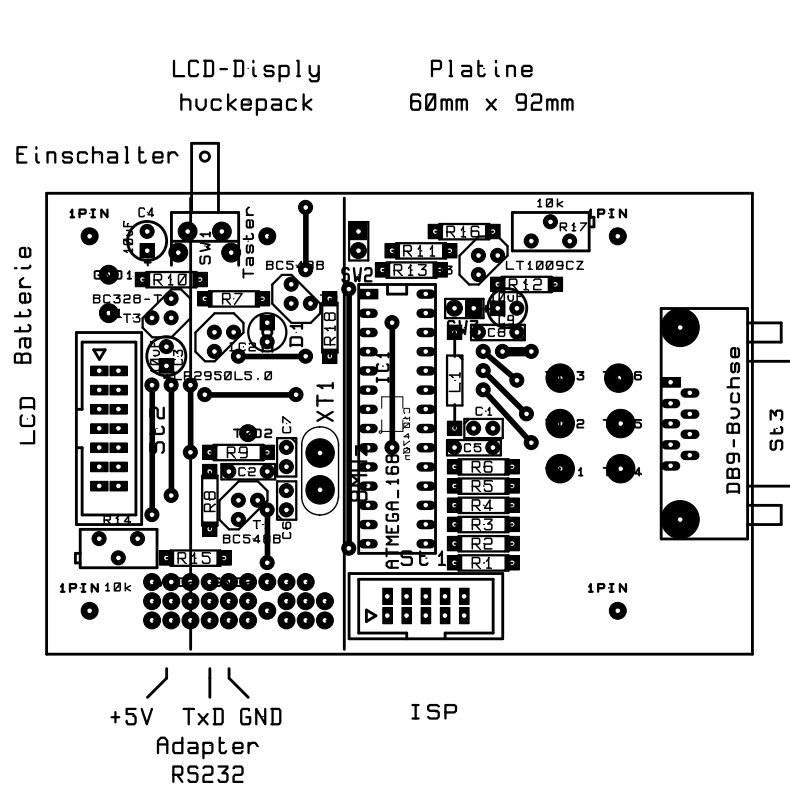


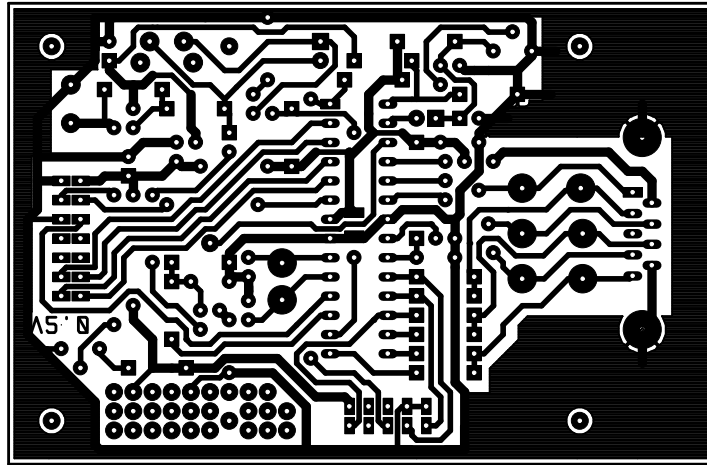
23.7.2012		
File: Transistortester.sch		
Sheet: /		
Title: Komponenten-Tester		
Size: A4	Date: 12 sep 2009	Rev: V2.0
Kicad E.D.A. EESchema (20090216-final)		Id: 1/1



LCD-Montage
Bohrung 15mm x 48mm / 2,5mm
60mm x 20,3mm



23.7.2012		
File: Transistortester.brd		
Sheet: 1/1		
Title: Component-Tester		
Size: A4	Date: 23 jul 2012	Rev: V2.0
K:\Cad E.D.A. PCBnew (20090216-final)		Id: 1/1



23.7.2012		
File: Transistortester.brd		
Sheet: 1/1		
Title: Componenten-Tester		
Size: A4	Date: 23 jul 2012	Rev: V2.0
KiCad E.D.A. PCBnew (20090216-final)		Id: 1/1