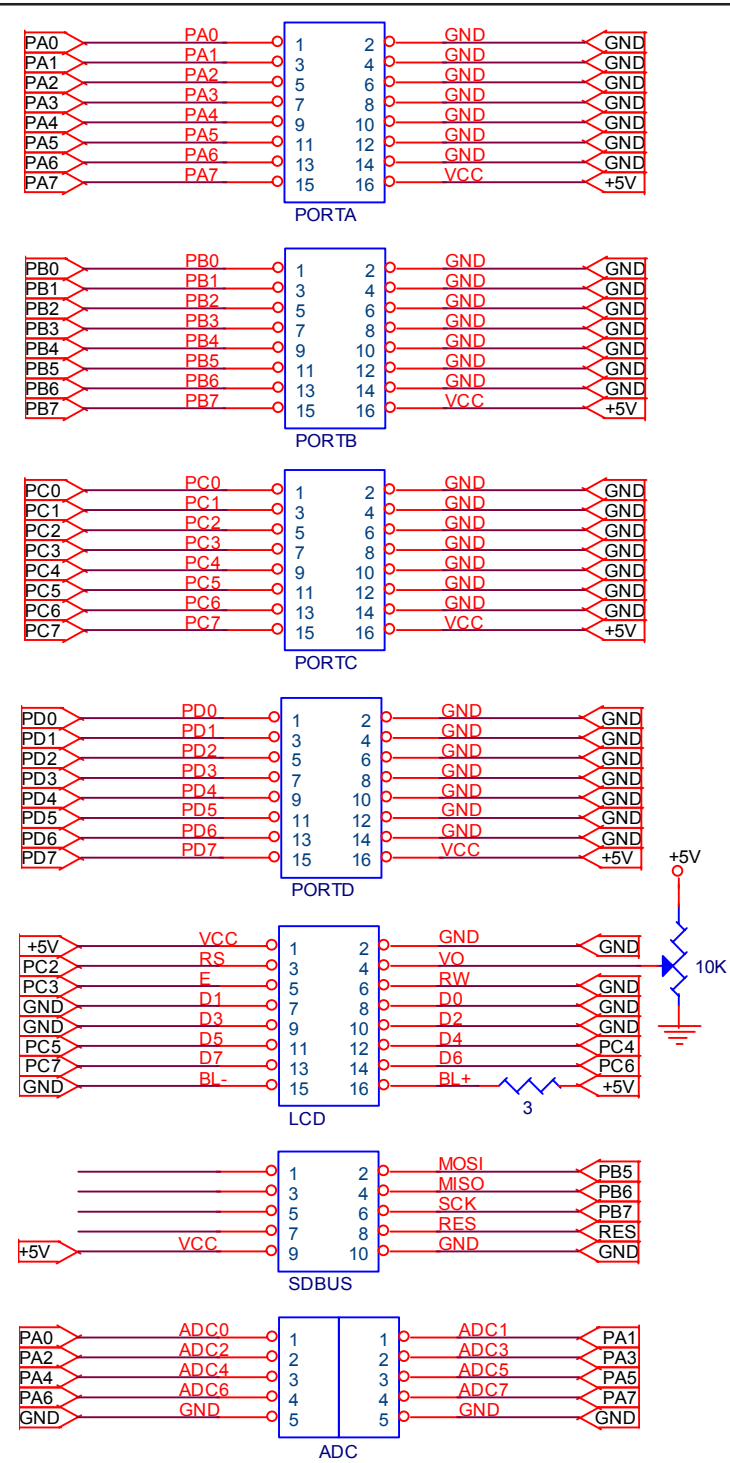
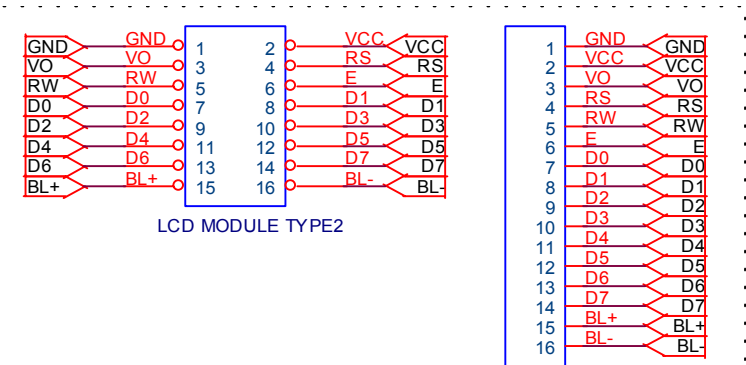


PIN DIAGRAM OF LCD MODULE



Title		
emb-avr e1 Family		
Size	Document Number	Rev
B	ere co.,ltd.	A
Date:	Sunday, August 17, 2003	Sheet 1 of 1