

Voltage Reference Circuit Collection

Brian Huffman

This application note is a guidebook of circuits featuring voltage reference ICs in various configurations. The circuits shown are both basic as well as complex and employ many popular IC references. Included are 2-terminal and 3-terminal references in series and shunt modes, for

positive and negative polarities, in voltage and current boosted versions. Additional circuit information can be located in the references listed in the index. The reference works as follows, i.e., AN8, page 2 = Application Note 8, page 2; LTC1044 DS = LTC1044 data sheet.

DRAWING INDEX

FIGURE TITLE	FIGURE #	PAGE	REFERENCE/SOURCE
2-Terminal Reference			
1.2V Output, Micropower Reference from 1.5V Battery	Figure 44	10	LT1004 DS
1.2V Output, Micropower Reference from 9V Battery	Figure 45	10	LT1004 DS
1.2V Output, Micropower Reference with Wide Input Voltage Range	Figure 46	11	
1.24V Output, Micropower, Current Boosted Reference (100mA)	Figure 52	11	LT1004 DS
2.5V Output, Micropower Reference	Figure 47	11	LT1004 DS
2.5V Output, Micropower Reference with Wide Input Voltage Range	Figure 48	11	
3-Terminal Reference			
2.5V Output, Temperature Independent Trim	Figure 7	5	LM336 DS
2.490V Output, Trim for Minimum TC	Figure 8	5	LM336 DS
2.5V Output Reference, $\pm 5\%$ Trim Range	Figure 4	5	LT1009 DS
2.5V Output with Wide Input Range	Figure 49	11	LT1009 DS
Basic Hookup for LT1019 Series Reference	Figure 18	7	LT1019 DS
Basic Hookup for LT1021 Series Reference	Figure 19	7	LT1021 DS
Basic Hookup for LT1027 Series Reference	Figure 20	7	LT1027 DS
5V Output Reference, $+5\%$, -13% Trim Range	Figure 5	5	LT1029 DS
5V Output Reference, Narrow Trim Range	Figure 6	5	LT1029 DS
5.120V Output, Trimmed Reference	Figure 9	6	LT1029 DS
Basic Hookup for LT1031 Series Reference	Figure 21	7	LT1031 DS
Bipolar Reference			
$\pm 10V$ Output, Precision Reference	Figure 39	10	LM129 DS
$\pm 1.25V$ Output, Logic Programmable Reference	Figure 43	10	
$+1.227V$, $+2.45V$ Output, Self-Buffered, Micropower Reference	Figure 51	11	LT1178 DS
$\pm 10V$ Output Reference	Figure 42	10	
$\pm 5V$ Output Reference	Figure 40	10	LT1029 DS
$\pm 2.5V$ Output Reference	Figure 41	10	LT1029 DS
$+1.2V$, $+7V$ Output, Pre-Regulated Reference	Figure 50	11	

Application Note 42

DRAWING INDEX (Continued)

FIGURE TITLE	FIGURE #	PAGE	REFERENCE/SOURCE
Boosted Reference			
1.24V Output, Micropower, Current Boosted Reference (100mA)	Figure 52	11	
Current Boost Negative Reference (LT1019-2.5, -5, -10)	Figure 37	9	LT1019 DS
-10V Output, Current Boosted Reference	Figure 38	10	LT1031 DS
10V Output with $V_{IN}-V_{OUT}$ Shunt Resistor for Greater Current	Figure 53	12	LT1031 DS
10V Output with External PNP for Boosted Output (100mA)	Figure 54	12	LT1031 DS
10V Boosted Output with Current Limit (100mA)	Figure 55	12	LT1031 DS
Series Reference with PNP Boost	Figure 56	12	LT1021 DS
Buffered Reference			
2.5V Output, Low Noise Reference	Figure 64	15	LT1009 DS
Precision High Current Reference (1.5A)	Figure 57	12	AN2, page 7
-10V Output, Low Noise Reference	Figure 62	14	
Single Supply, -10V Output, Trimmed Low Noise, Low TC Reference	Figure 63	14	
-5V Output, Current Boosted Negative Reference with Overload Protection	Figure 60	13	
10V Output, Low Noise Reference	Figure 61	14	LT1031 DS
7V Output, Low Noise, Low Drift Reference	Figure 65	15	LTZ1000 DS
Buffered Standard Cell	Figure 58	13	LT1012 DS
Standard Grade Variable Voltage Reference	Figure 59	13	LTC1052 DS
Micropower Reference			
1.2V Output, Micropower Reference from 1.5V Battery	Figure 44	10	LT1004 DS
+1.236V, 2.45V Output, Self-Buffered, Micropower Reference (100mA)	Figure 51	11	LT1178 DS
1.24V Output, Micropower, Current Boosted Reference	Figure 52	11	LT1004 DS
2.5V Output, Micropower Reference	Figure 47	11	LT1004 DS
2.5V Output, Micropower Reference with Wide Input Voltage Range	Figure 48	11	
Negative Output Reference			
Shunt Operation of a Series Device (LT1019-2.5, -5, -10)	Figure 36	9	
Current Boost Negative Reference (LT1019-2.5, -5, -10)	Figure 37	9	LT1019 DS
Shunt Mode Operation of a Series Device (LT1021-7, -10)	Figure 32	9	LT1021 DS
-5V Output Reference (LT1021-5)	Figure 33	9	LT1021 DS
-10V Output for a Series Device	Figure 34	9	LT1031 DS
-10V Output, Wide Input Range	Figure 35	9	LT1031 DS
-10V Output, Current Boosted Reference	Figure 38	10	LT1031 DS
Power Reference/Regulator Circuits			
Programmable Negative Output High Stability Regulator	Figure 83	22	LT1033 DS
High Current Variable Output Supply	Figure 88	23	LT1004 DS
Simple High Stability Regulator	Figure 77	19	LT1004 DS
High Stability Negative Regulator	Figure 78	19	LT1033 DS
Regulator with Reference	Figure 79	20	
Negative Output Regulator with Reference	Figure 80	20	
Low Temperature Coefficient Regulator	Figure 84	22	
Precision High Current Reference (1.5A)	Figure 57	12	AN2, page 7
5V Output, Low Dropout, Micropower Regulator with 2.5V Reference	Figure 85	22	LT1020 DS
Programmable High Stability Regulator	Figure 82	21	
High Current Regulator with Reference	Figure 87	23	LT1086 DS

DRAWING INDEX (Continued)

FIGURE TITLE	FIGURE #	PAGE	REFERENCE/SOURCE
Power Reference/Regulator Circuits (Continued)			
5V Output, Low Dropout, Micropower Regulator with 2.5V Reference and Shutdown ...	Figure 86	23	LT1120 DS
Simple Stacked Reference/Regulator	Figure 81	21	
Series Reference			
Wide Trim Range ($\pm 5\%$)	Figure 25	8	LT1019 DS
Narrow Trim Range ($\pm 0.2\%$)	Figure 26	8	LT1019 DS
10V Output, Trimmed to 10.240V	Figure 29	8	LT1019 DS
5V Output, Trimmed to 5.120V	Figure 28	8	LT1019 DS
10V Output, Full Trim Range ($\pm 0.7\%$)	Figure 22	7	LT1021 DS
10V Output, Restricted Trim Range for Improved Resolution	Figure 23	7	LT1021 DS
10V Output, Trimmed to 10.24V	Figure 27	8	LT1021 DS
Low Noise Statistical Voltage Standard	Figure 31	9	
5V Output, Fast Settling, Trimmed Reference	Figure 30	8	LT1027 DS
10V Output, Trimmed Reference	Figure 24	8	LT1031 DS
Shunt Reference*			
Precision Divide by Two	Figure 15	6	LTC1043 DS
Precision Multiply by Two	Figure 16	6	LTC1043 DS
Ultra-Precision Voltage Inverter	Figure 17	6	LTC1043 DS
2.5V Reference (LT1431Z)	Figure 10	6	LT1431 DS
2.5V Reference (LT1431)	Figure 11	6	LT1431 DS
5V Reference	Figure 12	6	LT1431 DS
Increasing 5V Reference	Figure 13	6	LT1431 DS
Programmable Reference with Adjustable Current Limit	Figure 14	6	LT1431 DS
Basic Operation of Shunt Reference Family	Figure 1	5	LT1004 DS
Current Source Stabilized Reference	Figure 2	5	LM334 DS
Low TC Current Stabilized Reference	Figure 3	5	
Temperature Stabilized Reference			
Buffered Standard Cell Replacement	Figure 69	17	
10V Output, Self-Biased Temperature Stabilized Reference	Figure 70	17	LM399 DS
Ultra-Precision Variable Voltage Reference	Figure 71	18	AN6, page 6
10V Output, Temperature Stabilized Reference	Figure 72	18	LM399 DS
Temperature Stabilized 10V Buffered Reference	Figure 73	18	LT1012 DS
6.95V Output, Temperature Stabilized Reference ($V_{IN} = \pm 15V$)	Figure 74	19	LM399 DS
6.95V Output, Temperature Stabilized Reference ($V_{IN} = 9V$ to $40V$)	Figure 75	19	LM399 DS
6.95V Output, Temperature Stabilized Reference ($V_{IN} = -9V$ to $-33V$)	Figure 76	19	LM399 DS
10V Output, Temperature Stabilized Reference	Figure 66	15	LT1019 DS
Low Noise, Ultra Low Drift, Long Term Stable 7V Positive Reference	Figure 67	16	LTZ1000 DS
Low Noise, Ultra Low Drift, Long Term Stable Negative Voltage Reference	Figure 68	16	LTZ1000 DS
Appendix			
Precision Resistor Selection	Appendix A	24	
Capacitor Selection	Appendix B	27	
Trimming Techniques	Appendix C	29	

*See also 2-Terminal References

Application Note 42

VOLTAGE REFERENCE SELECTION GUIDE*

* COMMERCIAL 0°C to + 70°C

** LTZ1000 requires external control and biasing circuits.

VOLTAGE V_Z (VOLTS)	VOLTAGE TOLERANCE MAXIMUM $T_A = 25^\circ\text{C}$	DEVICE	TEMPERATURE DRIFT, ppm/ $^\circ\text{C}$ OR mV CHANGE	OPERATING CURRENT RANGE (OR SUPPLY CURRENT)	MAXIMUM DYNAMIC IMPEDANCE (Ω)	MAJOR FEATURE
1.235	$\pm 0.32\%$	LT1004C-1.2	20ppm (typ)	10 μA to 20mA	1.5	Micropower
	$\pm 0.32\%$	LT1004CS8-1.2	20ppm (typ)	10 μA to 20mA	1.5	Micropower
	$\pm 1\%$	LT1034BC-1.2	20ppm (max)	20 μA to 20mA	1.5	Low TC Micropower with 7V Aux. Reference
	$\pm 1\%$	LT1034C-1.2	40ppm (max)	20 μA to 20mA	1.5	Low TC Micropower with 7V Aux. Reference
	$\pm 2\%$ $\pm 1\%$	LM385-1.2 LM385B-1.2	20ppm (typ) 20ppm (typ)	15 μA to 20mA 15 μA to 20mA	1.5 1.5	Micropower Micropower
2.5	$\pm 0.5\%$	LT1004C-2.5	20ppm (typ)	20 μA to 20mA	1.5	Micropower
	$\pm 0.8\%$	LT1004CS8-2.5	20ppm (typ)	20 μA to 30mA	1.5	Micropower
	$\pm 0.2\%$	LT1009C	6mV (max)	400 μA to 10mA	1.4	Precision
	$\pm 2.5\%$	LT1009S8	25ppm (max)	400 μA to 20mA	0.6	Precision
	$\pm 0.2\%$	LT1019C-2.5	20ppm (max)	1.2mA	N/A	Precision Bandgap
	$\pm 4\%$	LM336-2.5	6mV (max)	400 μA to 10mA	1.4	General Purpose
	$\pm 2\%$	LM336B-2.5	6mV (max)	400 μA to 10mA	1.4	General Purpose
	$\pm 3\%$	LM385-2.5	20ppm (typ)	20 μA to 20mA	1.5	Micropower
	$\pm 1.5\%$	LM385B-2.5	20ppm (typ)	20 μA to 20mA	1.5	Micropower
	$\pm 3\%$	LT580J	85 (max)	1.5mA	N/A	3 Terminal Low Drift
	$\pm 1\%$	LT580K	40 (max)	1.5mA	N/A	3 Terminal Low Drift
	$\pm 0.4\%$ $\pm 0.4\%$	LT580L LT580M	25 (max) 10 (max)	1.5mA 1.5mA	N/A N/A	3 Terminal Low Drift 3 Terminal Low Drift
4.5	$\pm 0.2\%$	LT1019C-4.5	20ppm (max)	1.2mA	N/A	Precision Bandgap
5.0	$\pm 0.2\%$	LT1019C-5	20ppm (max)	1.2mA	N/A	Precision Bandgap
	$\pm 1\%$	LT1021BC-5	5ppm (max)	1.2mA	0.1	Very Low Drift
	$\pm 0.05\%$	LT1021CC-5	20ppm (max)	1.2mA	0.1	Very Tight Initial Tolerance
	$\pm 1\%$	LT1021DC-5	20ppm (max)	1.2mA	0.1	Low Cost, High Performance
	$\pm 1\%$	LT1021CS8	20ppm (max)	1.2mA	0.1	Low Cost, High Performance
	$\pm 0.02\%$	LT1027A	2ppm (max)	2.0mA	N/A	Low Drift, Tight Tolerance
	$\pm 0.05\%$	LT1027B	2ppm (max)	2.0mA	N/A	Low Drift, Tight Tolerance
	$\pm 0.05\%$	LT1027C	3ppm (max)	2.0mA	N/A	Low Drift, Tight Tolerance
	$\pm 0.05\%$	LT1027D	5ppm (max)	2.0mA	N/A	Low Drift, Tight Tolerance
	$\pm 0.1\%$	LT1027E	7.5ppm (max)	2.0mA	N/A	Low Drift, Tight Tolerance
	$\pm 0.2\%$	LT1029AC	20ppm (max)	700 μA to 10mA	0.6	Precision Bandgap
	$\pm 1\%$	LT1029C	34ppm (max)	700 μA to 10mA	0.6	Precision Bandgap
	$\pm 0.3\%$	REF02E	8.5ppm (max)	1.4mA	N/A	Precision Bandgap
	$\pm 0.5\%$	REF02H	25ppm (max)	1.4mA	N/A	Precision Bandgap
$\pm 1\%$	REF02C	6.5ppm (max)	1.6mA	N/A	Precision Bandgap	
$\pm 2\%$	REF02E	250ppm (max)	2.0mA	N/A	Bandgap	
6.9	$\pm 3\%$	LM329A	10ppm (max)	600 μA to 15mA	1.0 (typ)	Low Drift
	$\pm 5\%$	LM329B	20ppm (max)	600 μA to 15mA	1.0 (typ)	Low Drift
	$\pm 5\%$	LM329C	50ppm (max)	600 μA to 15mA	1.0 (typ)	General Purpose
	$\pm 5\%$	LM329D	100ppm (max)	600 μA to 15mA	1.0 (typ)	General Purpose
	$\pm 4\%$	LTZ1000	0.1ppm/ $^\circ\text{C}$	4mA	20.0	Ultra Low Drift, 2ppm Long Term Stability**
6.95	$\pm 5\%$	LM399	2ppm (max)	500 μA to 10mA	1.5	Ultra Low Drift
	$\pm 5\%$	LM399A	1ppm (max)	500 μA to 10mA	1.5	Ultra Low Drift
7.0	$\pm 0.7\%$	LT1021BC-7	5ppm (max)	1.0mA	0.2	Low Drift/Noise, Exc. Stability
	$\pm 0.7\%$	LT1021DC-7	20ppm (max)	1.0mA	0.2	Low Cost, High Performance
10.0	$\pm 0.2\%$	LT1019C-10	20ppm (max)	1.2mA	N/A	Precision Bandgap
	$\pm 0.5\%$	LT1021BC-10	5ppm (max)	1.7mA	0.25	Very Low Drift
	$\pm 0.05\%$	LT1021CC-10	20ppm (max)	1.7mA	0.25	Very Tight Initial Tolerance
	$\pm 0.5\%$	LT1021DC-10	20ppm (max)	1.7mA	0.25	Low Cost, High Performance
	$\pm 0.5\%$	LT1031BC	5ppm (max)	1.7mA	0.25	Very Low Drift
	$\pm 0.1\%$	LT1031CC	15ppm (max)	1.7mA	0.25	Very Tight Initial Tolerance
	$\pm 0.2\%$	LT1031DC	25ppm (max)	1.7mA	0.25	Low Cost, High Performance
	$\pm 0.3\%$	LT581J	30ppm (max)	1.0mA	N/A	3 Terminal Low Drift
	$\pm 0.1\%$	LT581K	15ppm (max)	1.0mA	N/A	3 Terminal Low Drift
	$\pm 0.3\%$	REF01E	8.5ppm (max)	1.4mA	N/A	Precision Bandgap
	$\pm 0.5\%$	REF01H	25ppm (max)	1.4mA	N/A	Precision Bandgap
	$\pm 1\%$	REF01C	65ppm (max)	1.6mA	N/A	Precision Bandgap

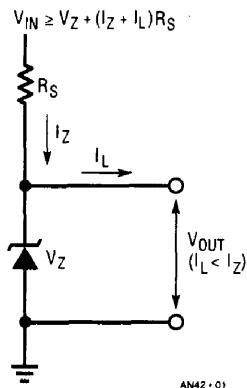


Figure 1. Basic Operation of Shunt Reference Family

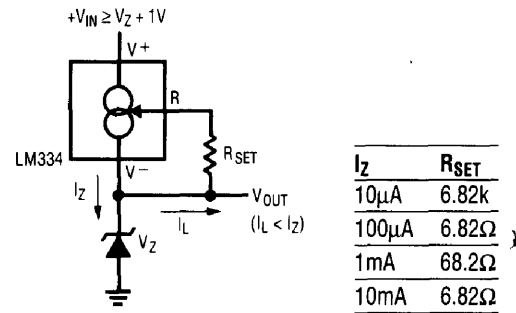
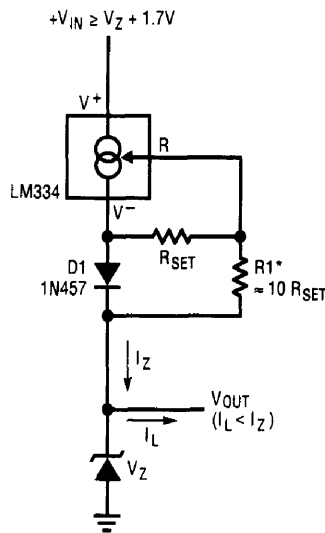


Figure 2. Current Source Stabilized Reference



$$I_Z \approx \frac{67\text{mV}}{R_{SET}} + \frac{667\text{mV}}{R1}$$

* TRIM R1 FOR MIN T_C OF I_Z (IF NECESSARY)

Figure 3. Low TC Current Stabilized Reference

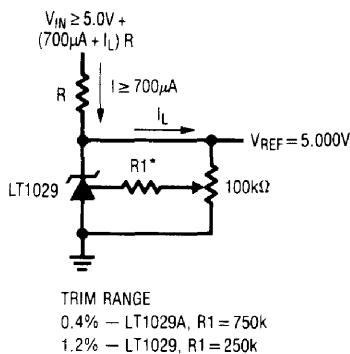


Figure 6. 5V Output Reference, Narrow Trim Range

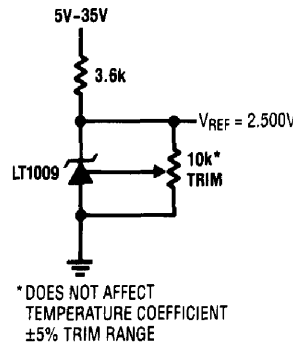


Figure 4. 2.5V Output Reference, ±5% Trim Range

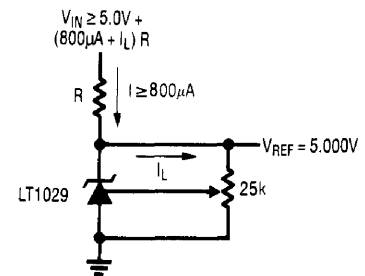


Figure 5. 5V Output Reference, +5%, -13% Trim Range

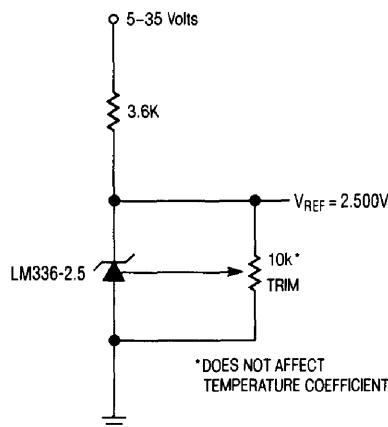


Figure 7. 2.5V Output, Temperature Independent Trim

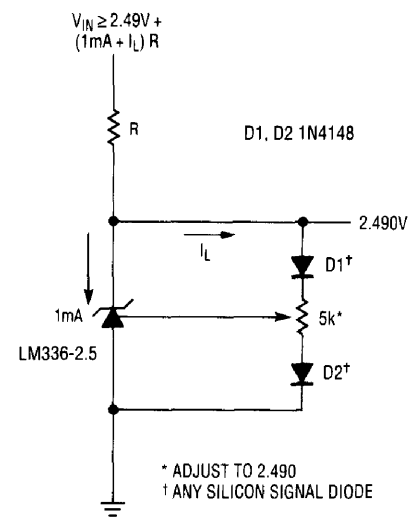


Figure 8. 2.490V Output, Trim for Minimum TC

Application Note 42

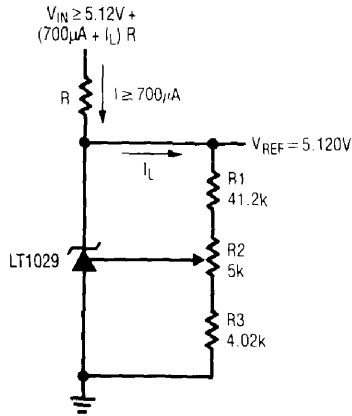


Figure 9. 5.120V Output, Trimmed Reference

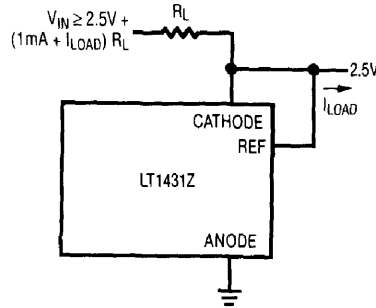


Figure 10. 2.5V Reference

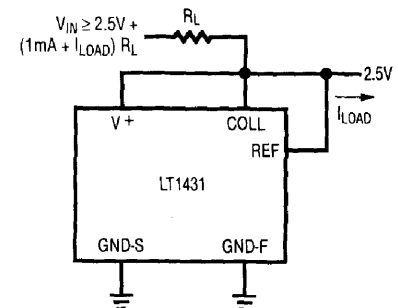


Figure 11. 2.5V Reference

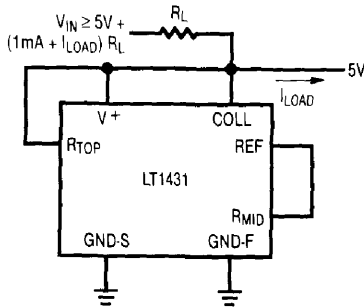


Figure 12. 5V Reference

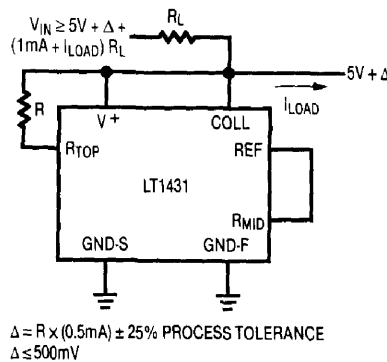


Figure 13. Increasing 5V Reference

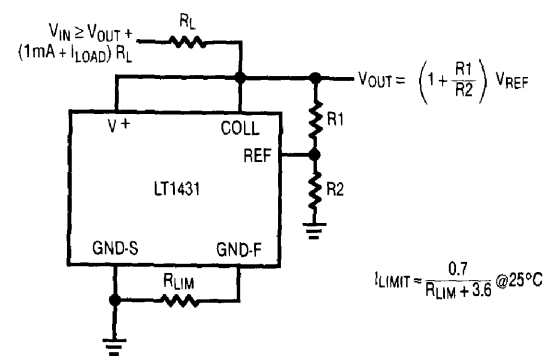


Figure 14. Programmable Reference with Adjustable Current Limit

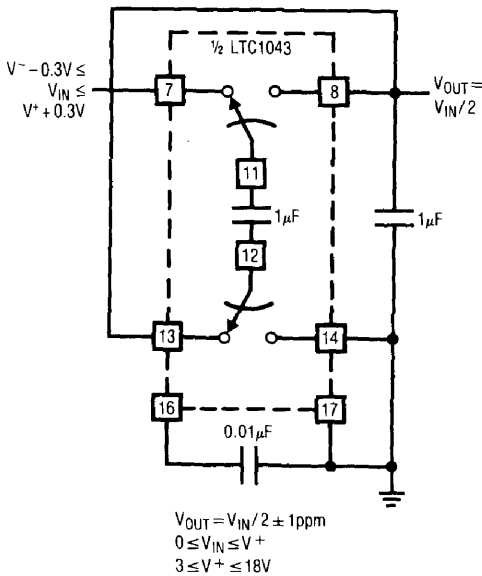


Figure 15. Precision Divide by Two

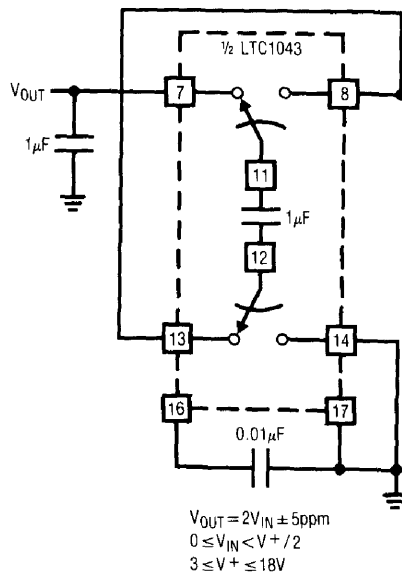


Figure 16. Precision Multiply by Two

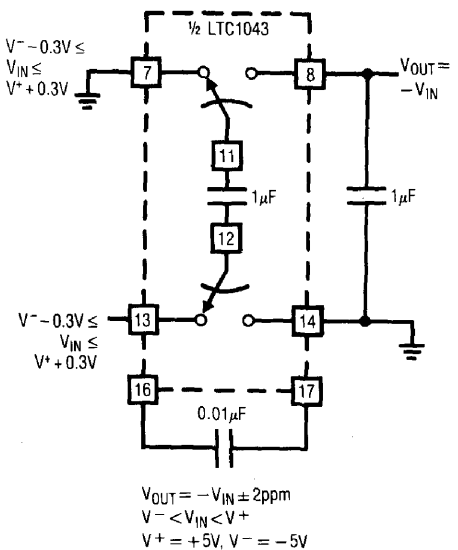


Figure 17. Ultra-Precision Voltage Inverter

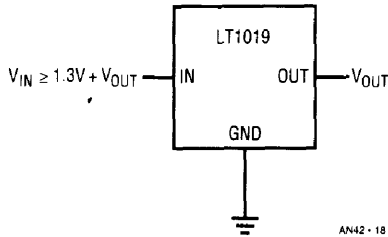


Figure 18. Basic Hookup for LT1019 Series Reference

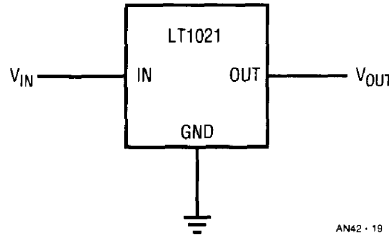


Figure 19. Basic Hookup for LT1021 Series Reference

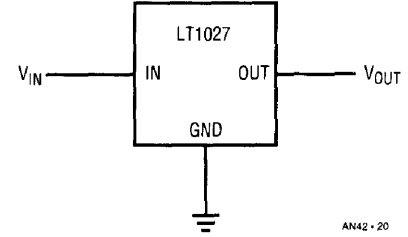


Figure 20. Basic Hookup for LT1027 Series Reference

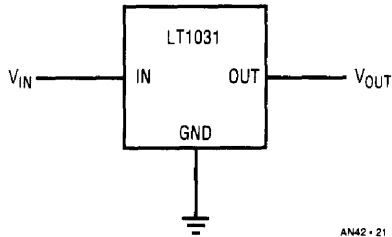
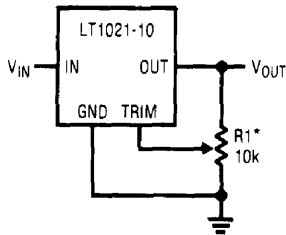
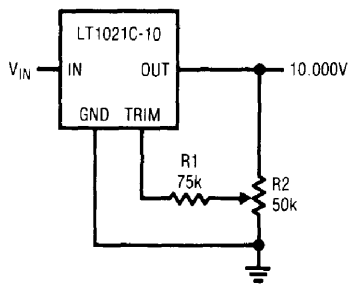


Figure 21. Basic Hookup for LT1031 Series Reference



* LOW TC CERMET
(CAN BE RAISED TO 20kΩ FOR
LESS CRITICAL APPLICATIONS)

Figure 22. 10V Output, Full Trim Range ($\pm 0.7\%$)



TRIM RANGE $\approx \pm 10\text{mV}$

Figure 23. 10V Output, Restricted Trim Range for Improved Resolution

LT1031 PERFORMANCE

DEVICE	V _{OUT}	TC IN ppm/°C (TYP/MAX)
LT1031B	10V $\pm 5\text{mV}$	3/5
LT1031C	10V $\pm 10\text{mV}$	6/15
LT1031D	10V $\pm 20\text{mV}$	10/25

LT1021 PERFORMANCE

DEVICE	V _{OUT}	TC IN ppm/°C (TYP/MAX)
LT1021C-5	5V $\pm 2.5\text{mV}$	3/20
LT1021B-5	5V $\pm 50\text{mV}$	2/5
LT1021B-7	7V $\pm 50\text{mV}$	2/5
LT1021D-7	7V $\pm 50\text{mV}$	3/20
LT1021C-10	10V $\pm 5\text{mV}$	5/20
LT1021B-10	10V $\pm 50\text{mV}$	2/5

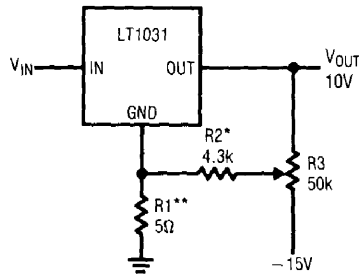
LT1019 PERFORMANCE

DEVICE	V _{OUT}	TC IN ppm/°C (TYP/MAX); C = COM, M = MIL
LT1019A-2.5	2.5V $\pm 1.25\text{mV}$	3/5 (C), 5/10 (M)
LT1019-2.5	2.5V $\pm 5\text{mV}$	5/20 (C), 8/25 (M)
LT1019A-5	5V $\pm 2.5\text{mV}$	3/5 (C), 5/10 (M)
LT1019-5	5V $\pm 10\text{mV}$	5/20 (C), 8/25 (M)
LT1019A-10	10V $\pm 5\text{mV}$	3/5 (C), 5/10 (M)
LT1019-10	10V $\pm 20\text{mV}$	5/20 (C), 8/25 (M)

LT1027 PERFORMANCE

DEVICE	V _{OUT}	TC IN ppm/°C (TYP/MAX)
LT1027A	5V $\pm 1\text{mV}$	1/2
LT1027B	5V $\pm 2.5\text{mV}$	1/2
LT1027C	5V $\pm 2.5\text{mV}$	2/3
LT1027D	5V $\pm 2.5\text{mV}$	3/5
LT1027E	5V $\pm 5\text{mV}$	5/7.5

Application Note 42



*CAN BE INCREASED TO 5.6k FOR
LT1031B AND LH0070-2
**INCREASE TO 10Ω FOR LT1031D

Figure 24. 10V Output, Trimmed Reference

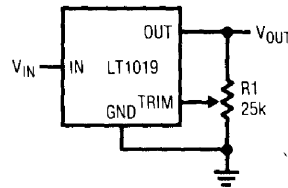
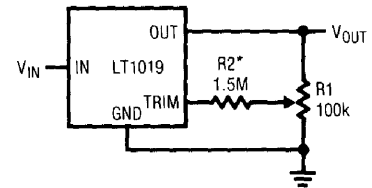
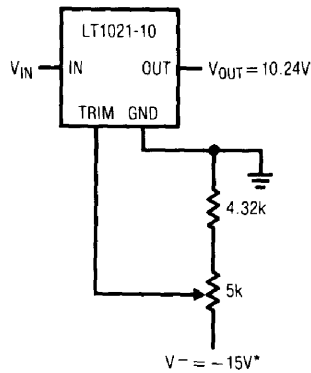


Figure 25. Wide Trim Range ($\pm 5\%$)



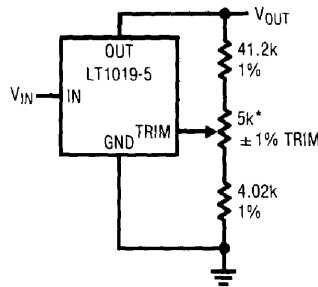
*INCREASE TO 4.7MΩ FOR LT1019A ($\pm 0.05\%$)

Figure 26. Narrow Trim Range ($\pm 0.2\%$)



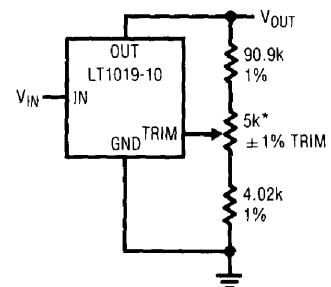
*MUST BE WELL REGULATED
 $\frac{dV_{OUT}}{dV} = \frac{15mV}{V}$

Figure 27. 10V Output, Trimmed to 10.24V



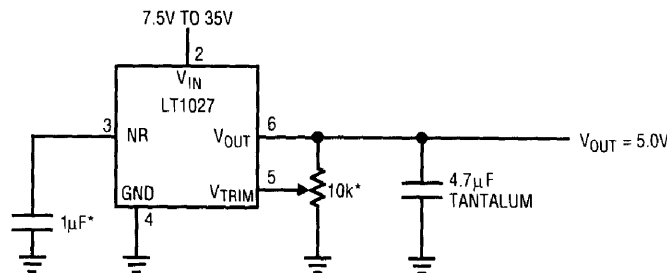
*LOW TC CERMET

Figure 28. 5V Output, Trimmed to 5.120V



*LOW TC CERMET

Figure 29. 10V Output, Trimmed to 10.240V



* NOISE REDUCTION CAP AND TRIM POTENTIOMETER OPTIONAL.

AN42-30

Figure 30. 5V Output, Fast Settling, Trimmed Reference

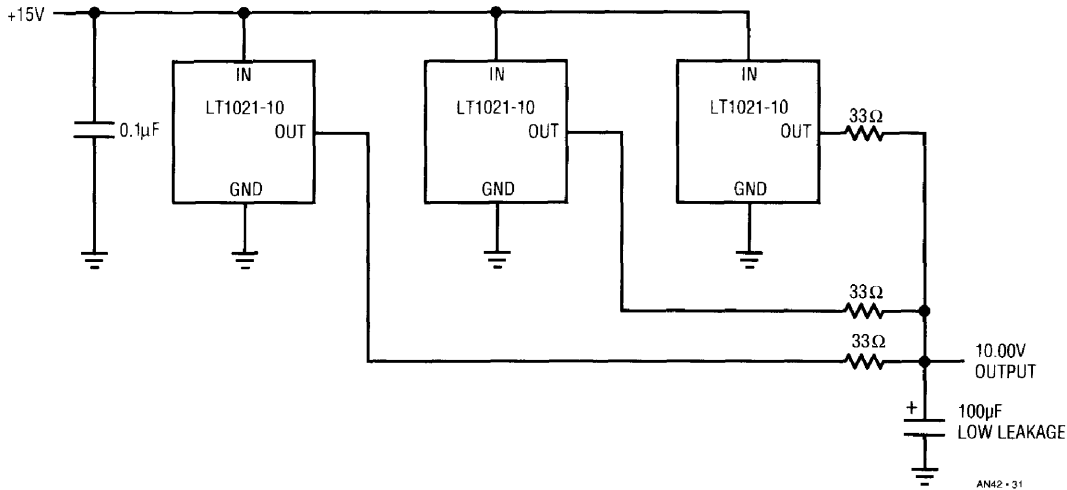


Figure 31. Low Noise Statistical Voltage Standard

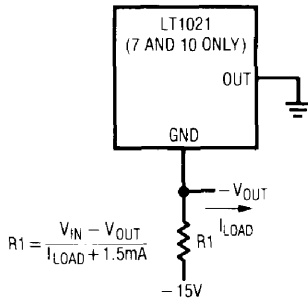


Figure 32. Shunt Mode Operation of a Series Device (LT1021-7, -10)

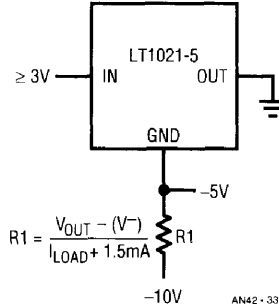


Figure 33. -5V Output Reference (LT1021-5)

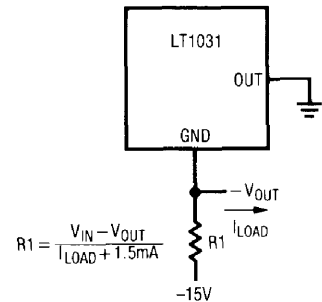


Figure 34. -10V Output for a Series Device

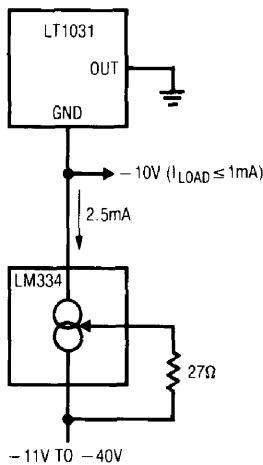


Figure 35. -10V Output, Wide Input Range

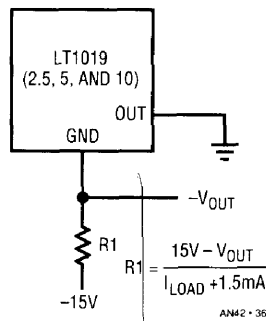


Figure 36. Shunt Operation of a Series Device (LT1019-2.5, -5, -10)

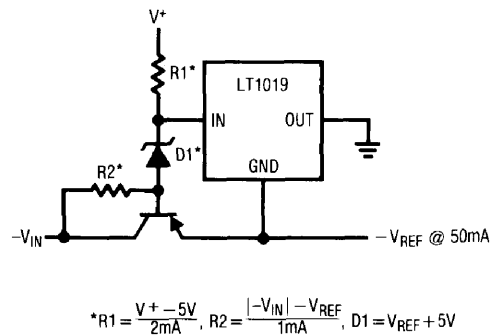


Figure 37. Current Boost Negative Reference (LT1019-2.5, -5, -10)

Application Note 42

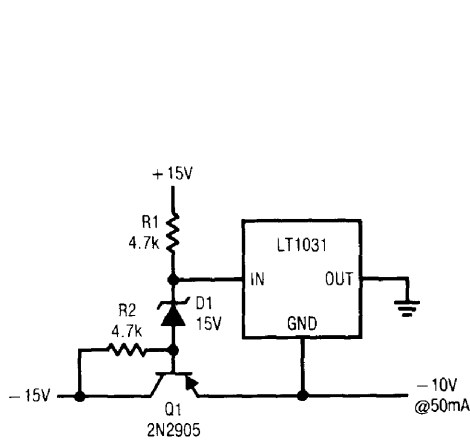


Figure 38. -10V Output, Current Boosted Reference

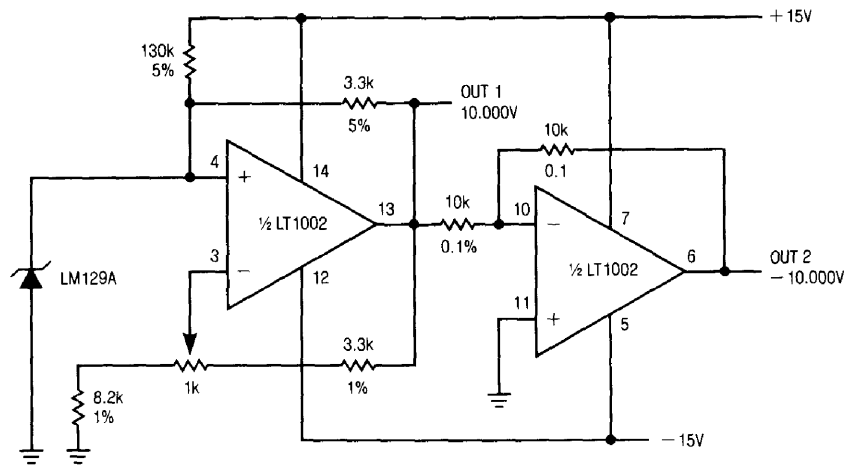


Figure 39. ±10V Output, Precision Reference

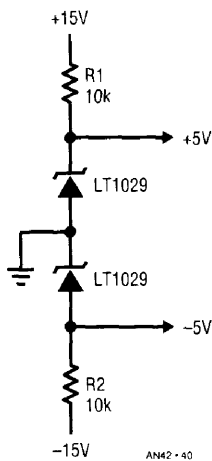


Figure 40. ±5V Output Reference

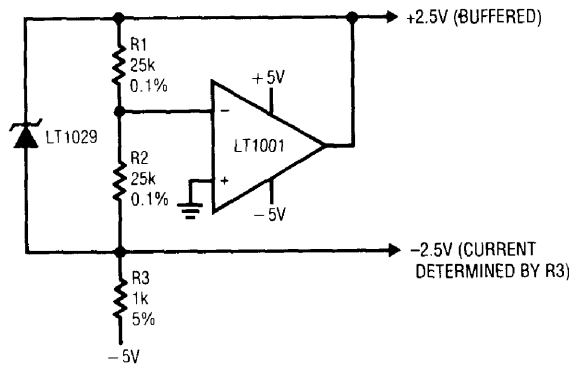


Figure 41. ±2.5V Output Reference

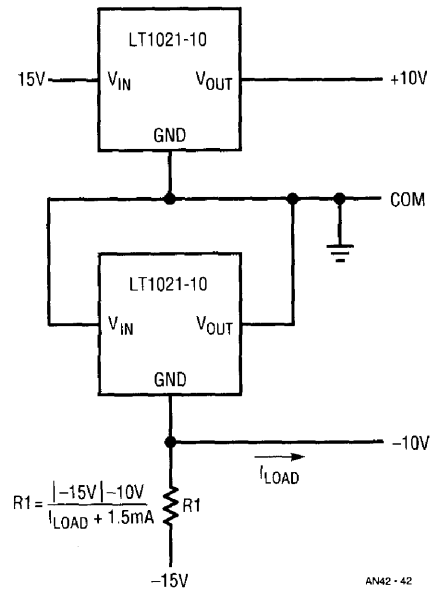


Figure 42. ±10V Output Reference

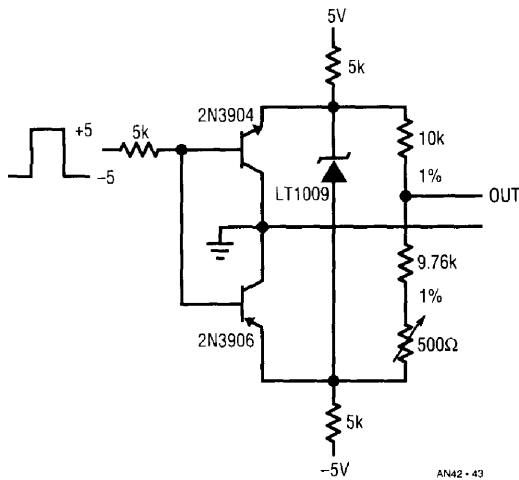
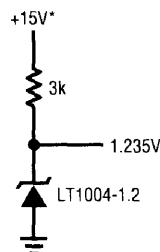


Figure 43. ±1.25V Output, Logic Programmable Reference



*OUTPUT REGULATES DOWN TO 1.285V FOR $I_{OUT} = 0$

Figure 44. 1.2V Output, Micropower Reference from 1.5V Battery

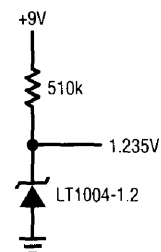


Figure 45. 1.2V Output, Micropower Reference from 9V Battery

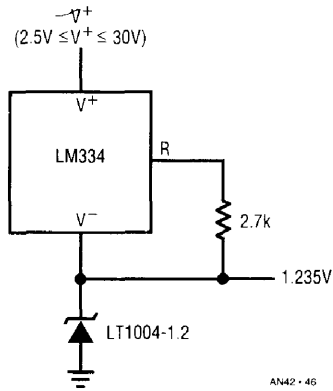


Figure 46. 1.2V Output, Micropower Reference with Wide Input Voltage Range

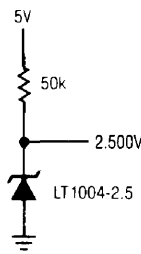


Figure 47. 2.5V Output, Micropower Reference

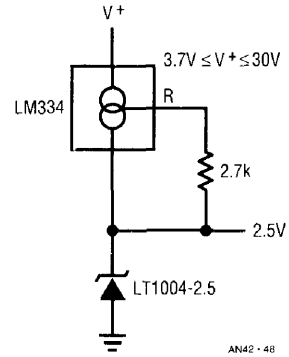


Figure 48. 2.5V Output, Micropower Reference with Wide Input Voltage Range

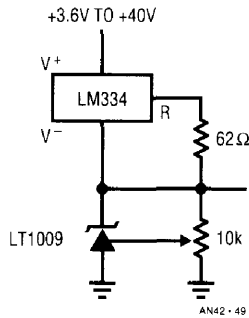


Figure 49. 2.5V Output with Wide Input Range

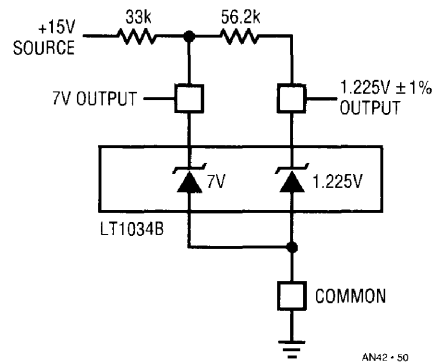


Figure 50. +1.2V, +7V Output, Pre-Regulated Reference

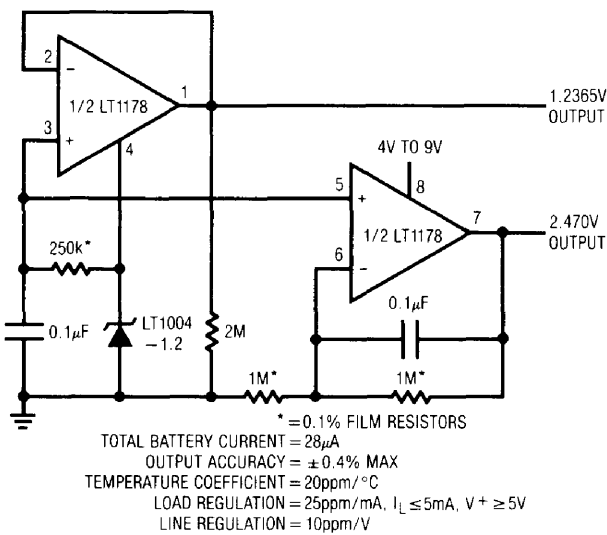


Figure 51. +1.227V, +2.45V Output, Self-Buffered, Micropower Reference

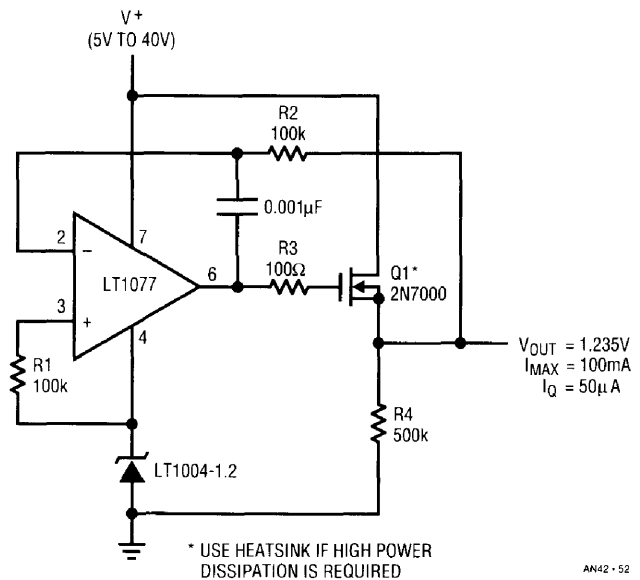
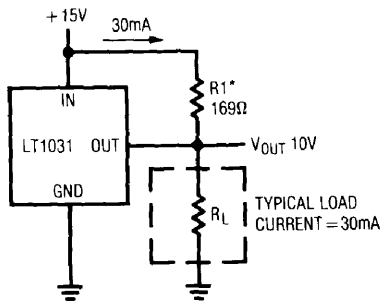


Figure 52. 1.24V Output, Micropower, Current Boosted Reference (100mA)

Application Note 42



*SELECT R1 TO DELIVER TYPICAL LOAD CURRENT. LT1031 WILL THEN SOURCE OR SINK AS NECESSARY TO MAINTAIN PROPER OUTPUT. DO NOT REMOVE LOAD AS OUTPUT WILL BE DRIVEN UNREGULATED HIGH. LINE REGULATION IS DEGRADED IN THIS APPLICATION.

Figure 53. 10V Output with $V_{IN}-V_{OUT}$ Shunt Resistor for Greater Current

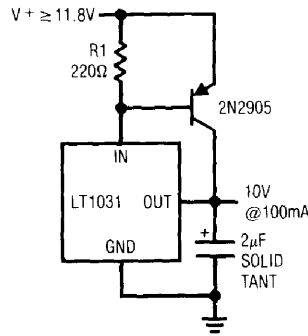
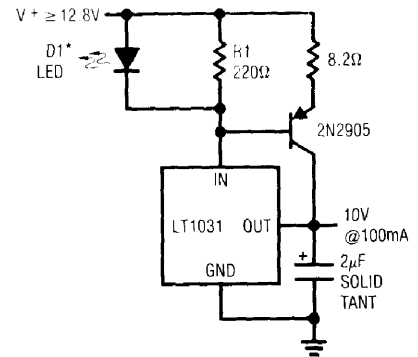
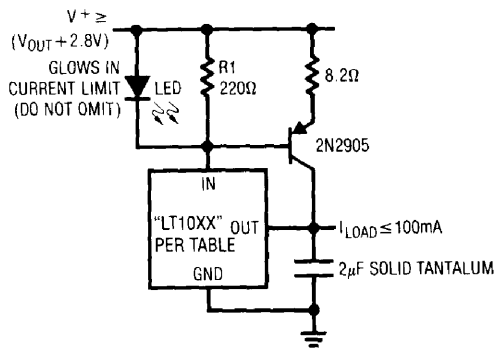


Figure 54. 10V Output with External PNP for Boosted Output (100mA)



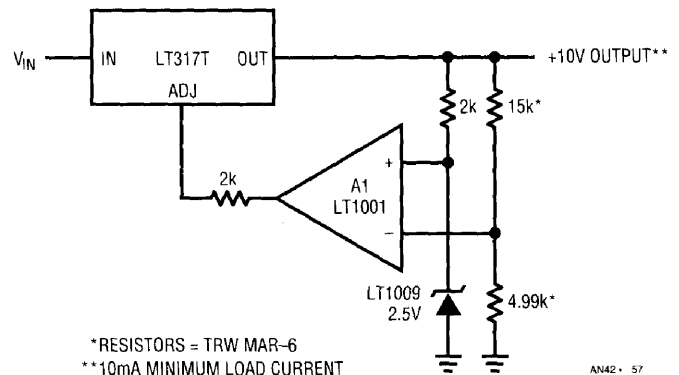
*GLOWS IN CURRENT LIMIT. DO NOT OMIT.

Figure 55. 10V Boosted Output with Current Limit (100mA)



DEVICE	V_{OUT}
LT1019-2.5	2.5V
LT1019-5	5V
LT1021-5	
LT1027	
LT1021-7	7V
LT1019-10	10V
LT1021-10	

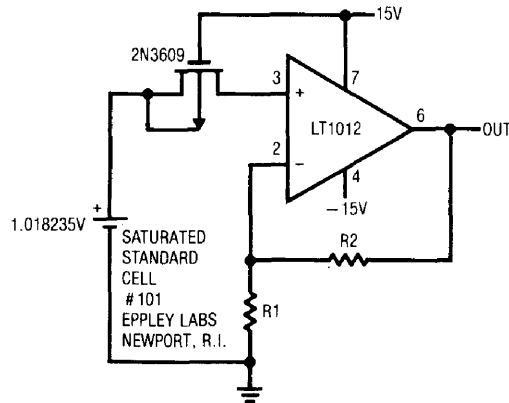
Figure 56. Series Reference with PNP Boost



*RESISTORS = TRW MAR-6
**10mA MINIMUM LOAD CURRENT

AN42-57

Figure 57. Precision High Current Reference (1.5A)



THE TYPICAL 30pA BIAS CURRENT OF THE LT1012 WILL DEGRADE THE STANDARD CELL BY ONLY 1ppm/YEAR. NOISE IS A FRACTION OF A ppm. UNPROTECTED GATE MOSFET ISOLATES STANDARD CELL ON POWER DOWN.

Figure 58. Buffered Standard Cell

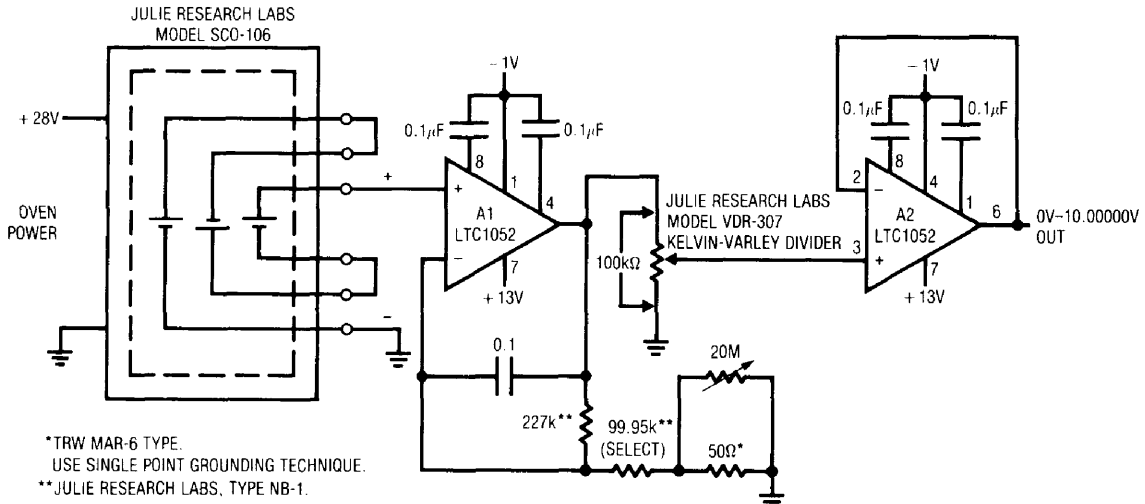


Figure 59. Standard Grade Variable Voltage Reference

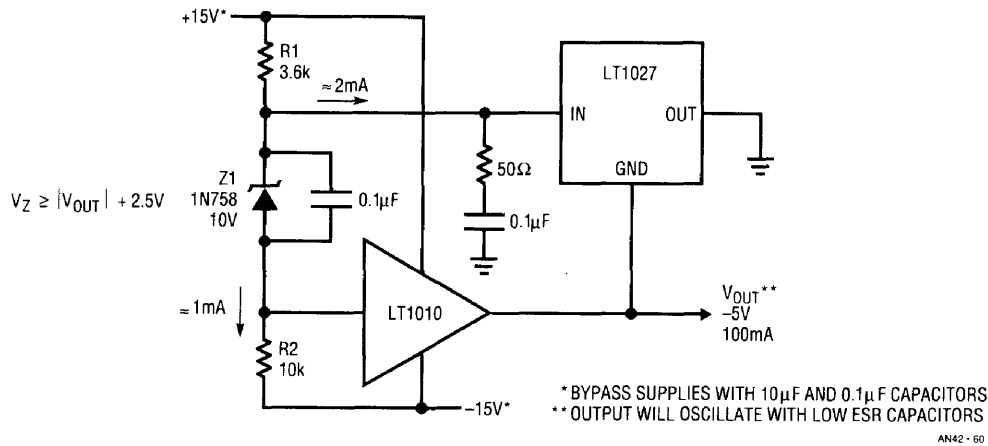


Figure 60. -5V Output, Current Boosted Negative Reference with Overload Protection

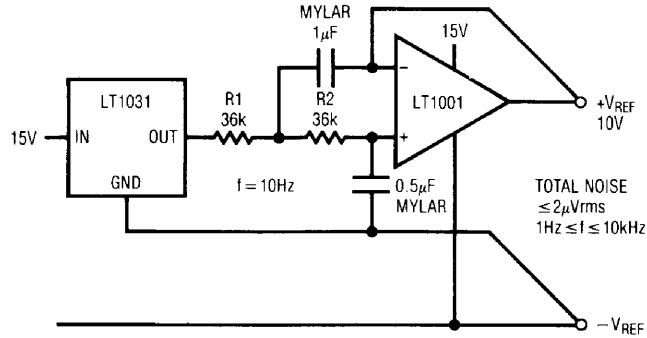


Figure 61. 10V Output, Low Noise Reference

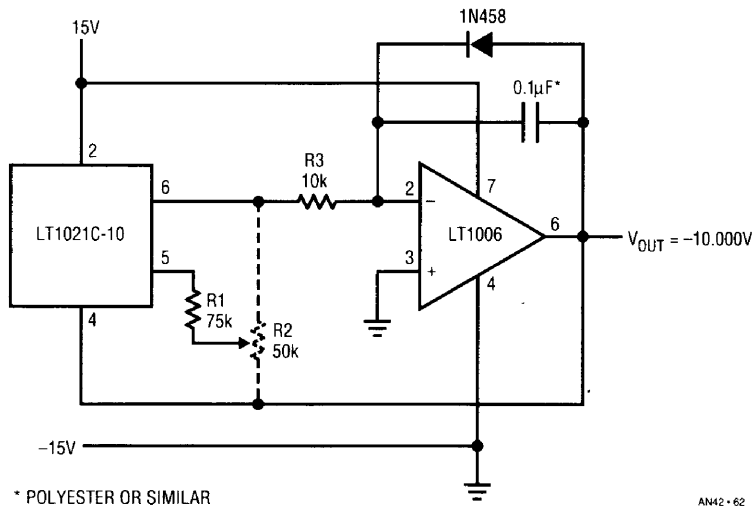


Figure 62. -10V Output, Low Noise Reference

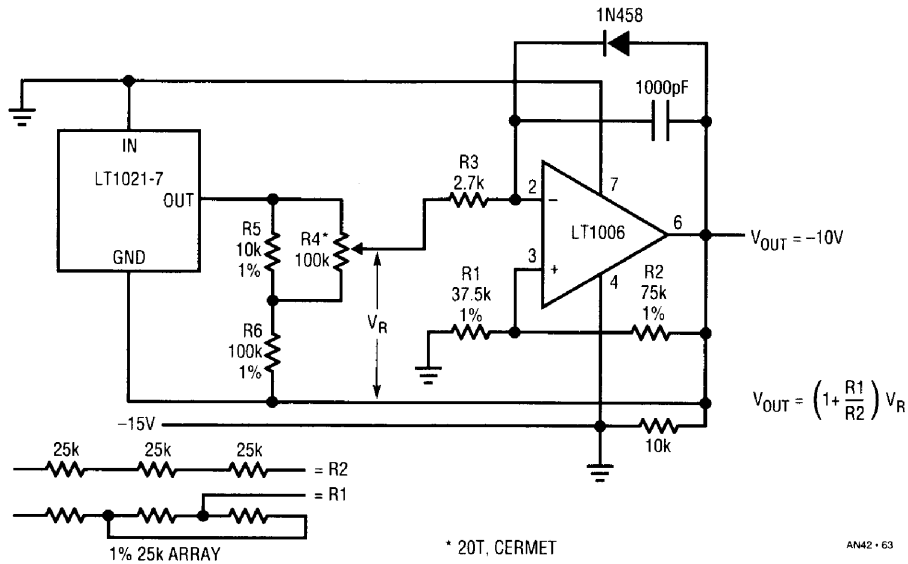


Figure 63. Single Supply, -10V Output, Trimmed Low Noise, Low TC Reference

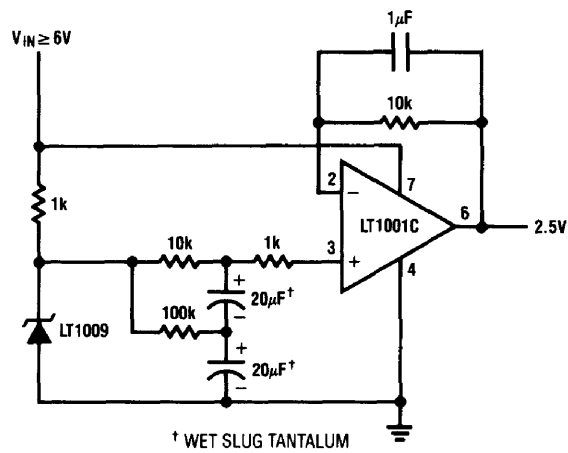


Figure 64. 2.5V Output, Low Noise Reference

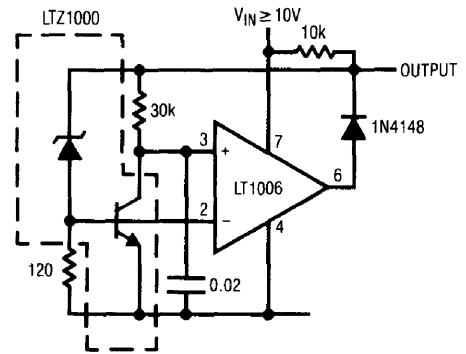
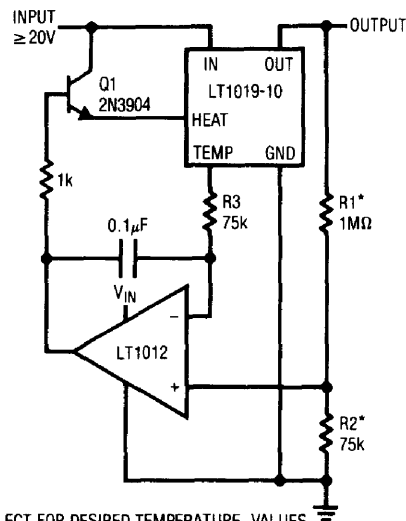


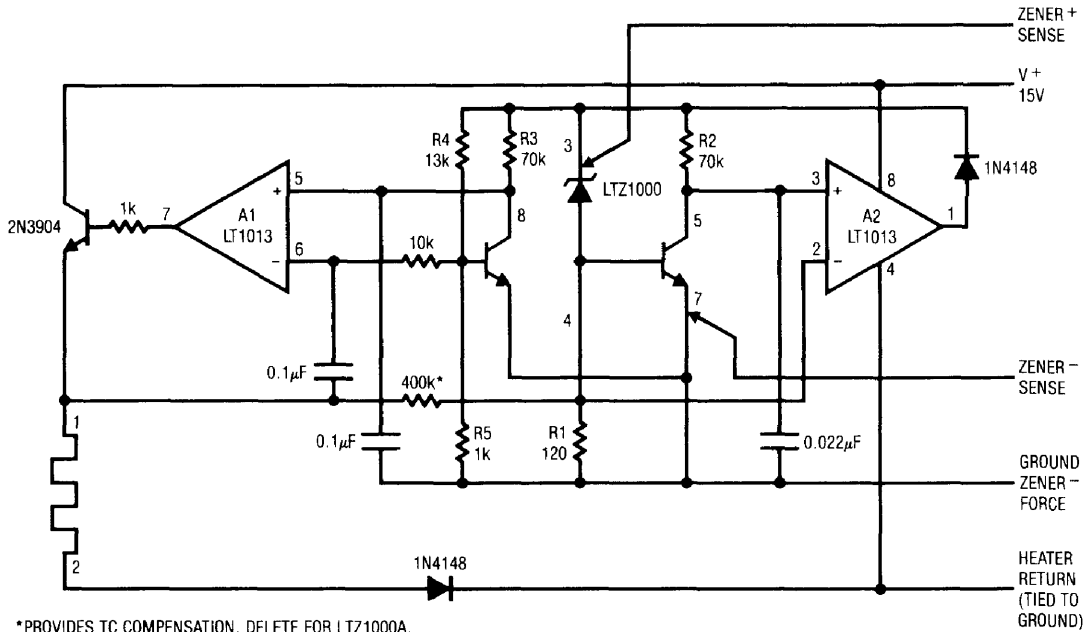
Figure 65. 7V Output, Low Noise, Low Drift Reference



*SELECT FOR DESIRED TEMPERATURE. VALUES GIVEN SET CHIP TEMPERATURE $T_0 = 70^\circ\text{C}$ WITH $V_{OUT} = 10\text{V}$.

Figure 66. 10V Output, Temperature Stabilized Reference

Application Note 42

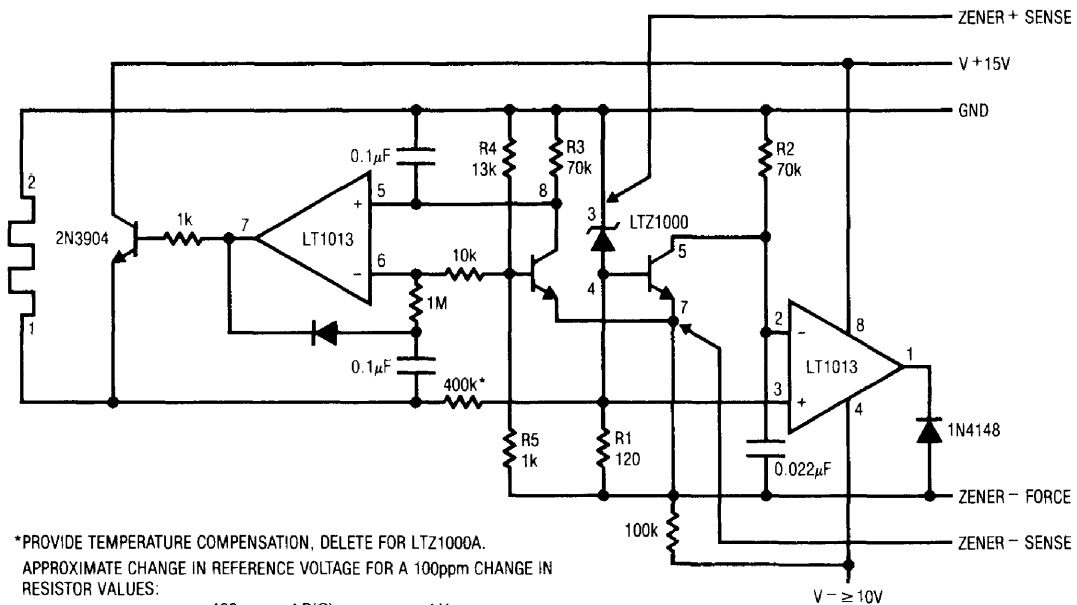


*PROVIDES TC COMPENSATION, DELETE FOR LTZ1000A.
 APPROXIMATE CHANGE IN REFERENCE VOLTAGE FOR A 100ppm (0.01%) CHANGE IN RESISTOR VALUES:

R1	$\Delta R(\Omega)$ 0.012 Ω	ΔV_Z 1ppm
R2	7 Ω	0.3ppm
R3	7 Ω	0.2ppm
R4/R5 RATIO	$\Delta R = 0.01\%$	1ppm

BOTH A1 AND A2 CONTRIBUTE LESS THAN 2 μ V OF OUTPUT DRIFT OVER A 50°C RANGE.

Figure 67. Low Noise, Ultra Low Drift, Long Term Stable 7V Positive Reference



*PROVIDE TEMPERATURE COMPENSATION, DELETE FOR LTZ1000A.
 APPROXIMATE CHANGE IN REFERENCE VOLTAGE FOR A 100ppm CHANGE IN RESISTOR VALUES:

R1	100ppm = $\Delta R(\Omega)$ 0.012 Ω	ΔV_Z 1ppm
R2	7 Ω	0.3ppm
R3	7 Ω	0.2ppm
R4/R5 RATIO	$\Delta R = 0.01\%$	1ppm

BOTH A1 AND A2 CONTRIBUTE LESS THAN 2 μ V OF OUTPUT DRIFT OVER A 50°C RANGE.

Figure 68. Low Noise, Ultra Low Drift, Long Term Stable Negative Voltage Reference

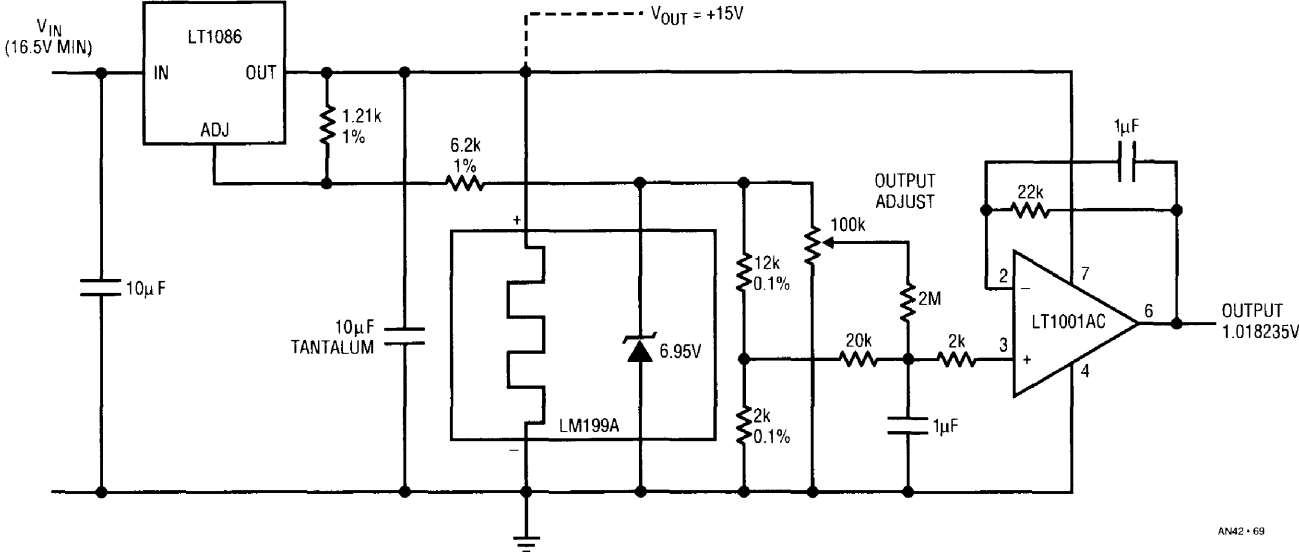


Figure 69. Buffered Standard Cell Replacement

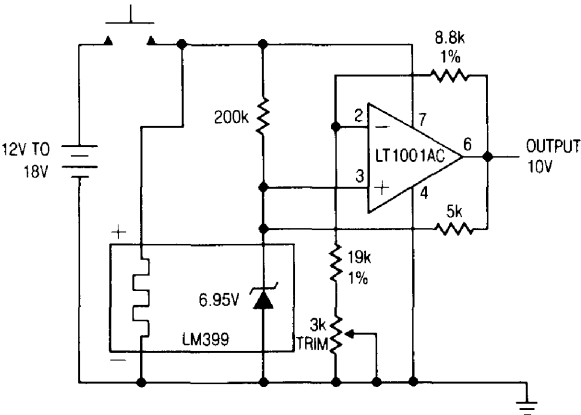


Figure 70. 10V Output, Self-Biased Temperature Stabilized Reference

Application Note 42

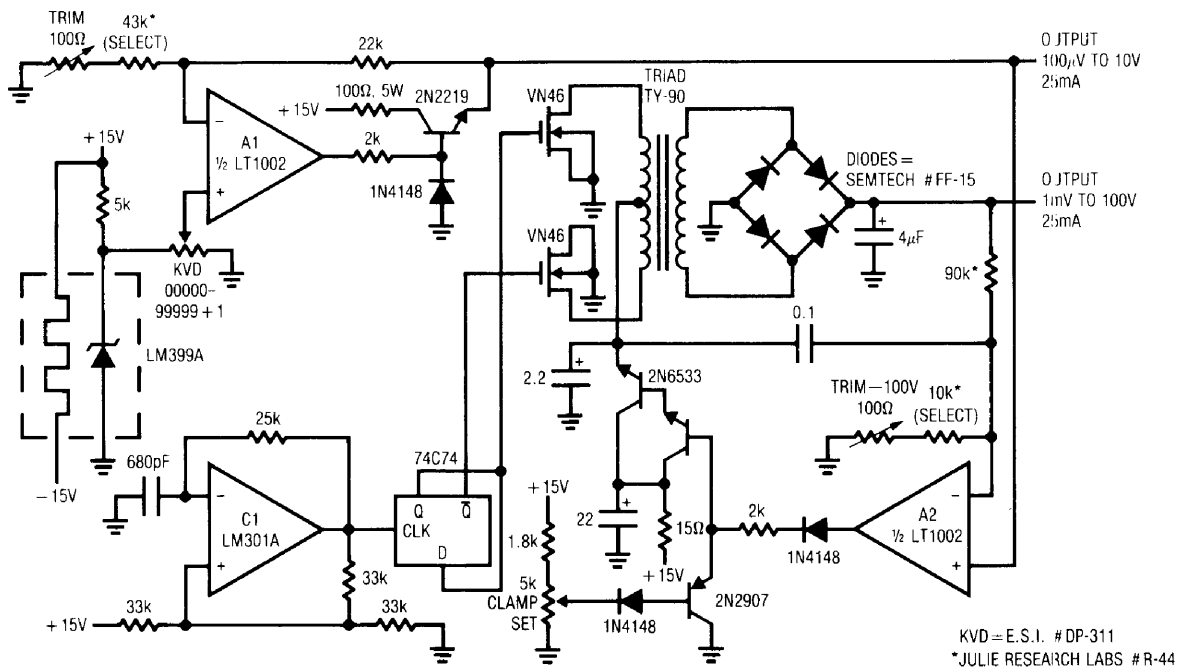


Figure 71. Ultra-Precision Variable Voltage Reference

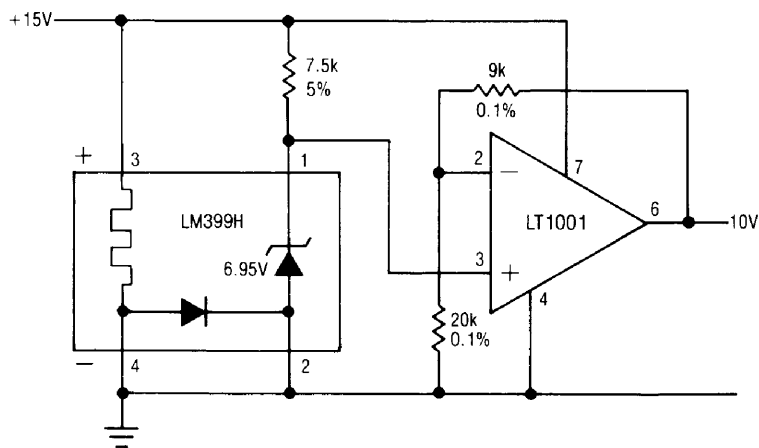


Figure 72. 10V Output, Temperature Stabilized Reference

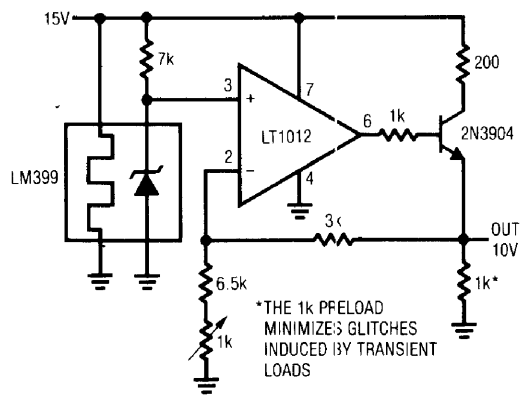


Figure 73. Temperature Stabilized 10V Buffered Reference

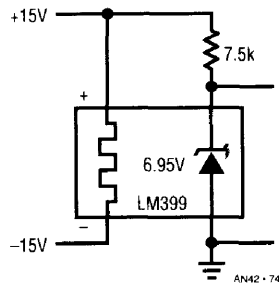


Figure 74. 6.95V Output, Temperature Stabilized Reference

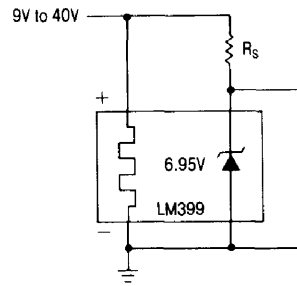


Figure 75. 6.95V Output, Temperature Stabilized Reference

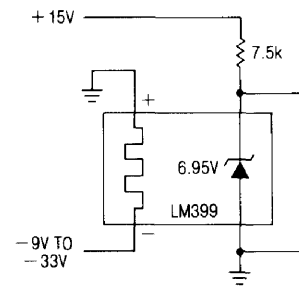


Figure 76. 6.95V Output, Temperature Stabilized Reference

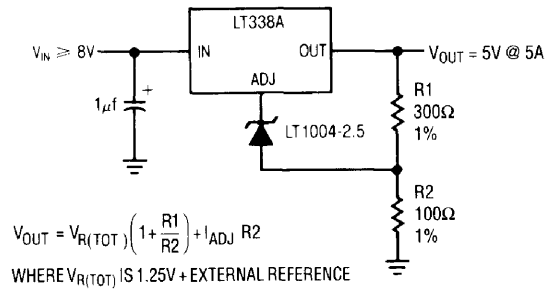


Figure 77. Simple High Stability Regulator

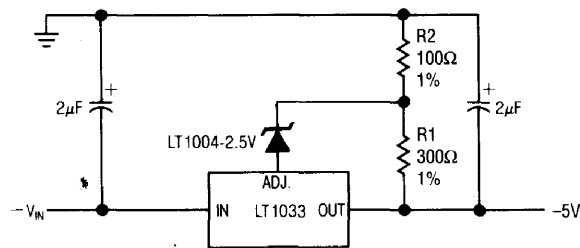
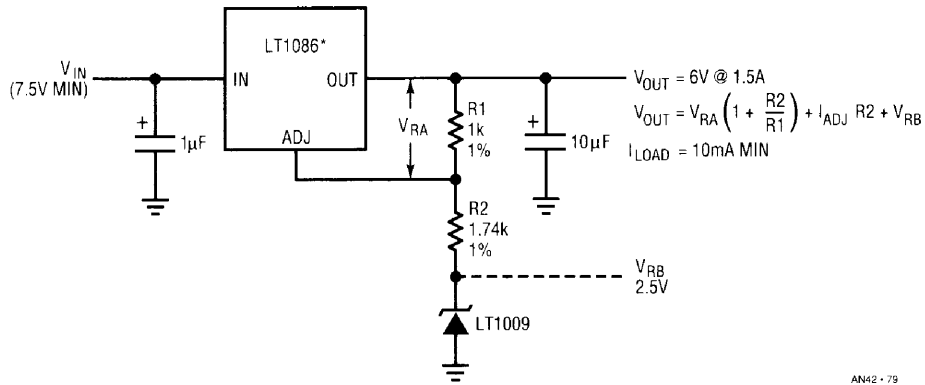


Figure 78. High Stability Negative Regulator

Application Note 42



DEVICE	FEATURES
LT1086	1.5A, Low Dropout
LT1085	3A, Low Dropout
LT1084	5A, Low Dropout
LT1083	7.5A, Low Dropout
LT317A	1.5A
LT350	3A
LT338A	5A
LT1038	10A

Figure 79. Regulator with Reference

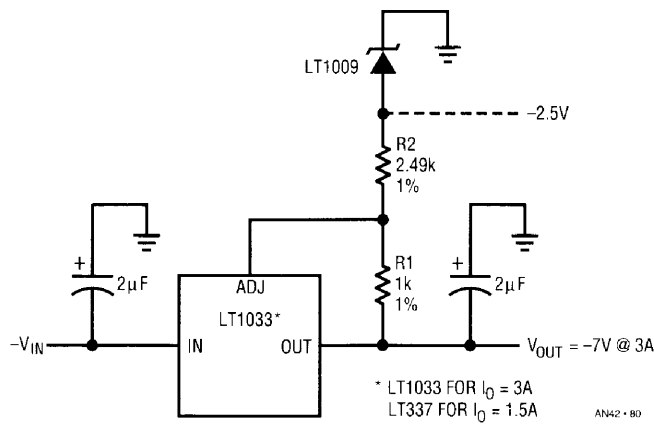


Figure 80. Negative Output Regulator with Reference

Table A1. Typical Resistor Characteristics

CHARACTERISTIC	CARBON COMPOSITION	THIN-FILM CARBON FILM	THICK-FILM CERMET	THIN-FILM NiCr FILM	WIREWOUND	METAL FOIL (MOLDED)	METAL FOIL (HERMETIC)
Ohmic Range	2.7M-100M	1M-4.7M	1M-3M	10M-3M	20k-468k	1k-250k	1k-250k
Absolute Accuracy*	5% 20%-5%	5.0%	1.0% 5.0%-0.1%	0.1% 1.0%-0.01%	0.01% 1.0%-0.005%	0.01% 1.0%-0.005%	0.01% 1.0%-0.001%
Temperature Coefficient*	-5000ppm/°C	-200ppm/°C -100ppm/°C--1500ppm/°C	100ppm/°C 25ppm/°C-200ppm/°C	10ppm/°C 5ppm/°C-25ppm/°C	5ppm/°C 1.0ppm/°C-20ppm/°C	2.5ppm/°C-8ppm/°C	0.6ppm/°C
TCR Tracking*				1: (1-9), 1.0ppm/°C 1: (10-100), 2.0ppm/°C 1: (100-1000), 4.0ppm/°C	1: (1-4), 0.5ppm/°C 1: (5-10), 2.0ppm/°C	1: (1-4), 0.5ppm/°C 1: (5-10), 1.0ppm/°C	1: (1-4), 0.5ppm/°C 1: (5-10), 1.0ppm/°C
Ratio Matching*				1: (1-9), 0.005% 1: (10-100), 0.01% 1: (100-1000), 0.02%	1: (1-4), 0.005% 1: (5-10), 0.1%	1: (1-4), 0.005% 1: (5-10), 0.01%	1: (1-4), 0.005% 1: (5-10), 0.01%
Load-Life Stability*	1kHRS, 6% -4%	3.0%	1.0%	1kHRS, 0.02%	10kHRS, 0.2%	2kHRS, 0.015% 10kHRS, 0.05%	2kHRS, 0.015%
Shelf-Life*	2.0%	0.1%	30ppm/YR	100ppm/YR	25ppm/YR	5ppm/YR	
Voltage Coefficient Of Resistance	-0.02%/V		0.05ppm/V	0.1ppm/V	0.1ppm/V	0.1ppm/V	
Resistor Classification	General Purpose	General Purpose	Semi-Precision	Precision	Precision	Ultra-Precision	Ultra-Precision
Manufacturer's Part Number	Allen-Bradley** CB Series	International** Resistive Co.	International** Resistive Co.	International** Resistive Co. MARS	Vishay/Ultronix** 105A	Vishay** S102 Series	Vishay** VHP1000

* ± Unless otherwise stated
 ** Parameters may vary between manufacturers
 % = ppm × 0.0001
 0.0001% = 1ppm
 0.001% = 10ppm
 0.01% = 100ppm
 0.1% = 1000ppm
 1% = 10000ppm

Application Note 42

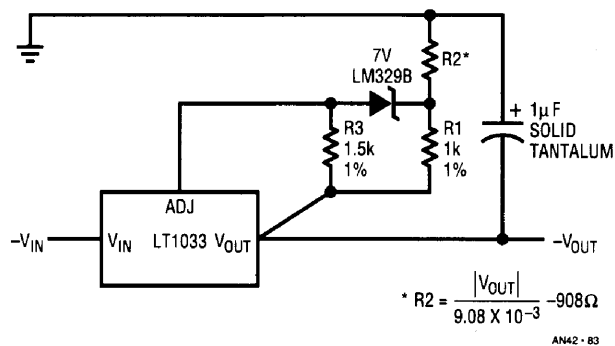


Figure 83. Programmable Negative Output High Stability Regulator

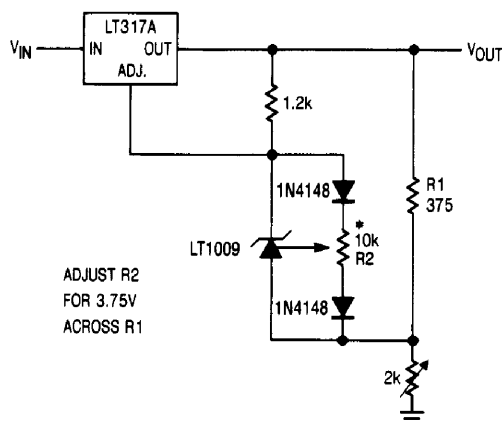


Figure 84. Low Temperature Coefficient Regulator

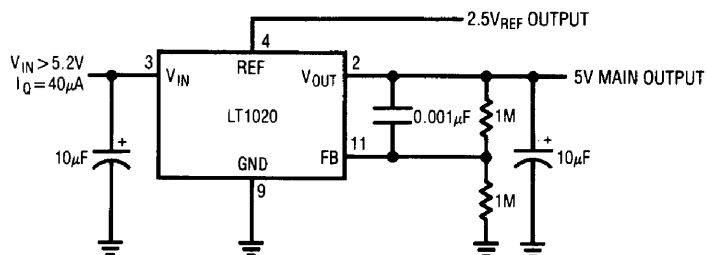


Figure 85. 5V Output, Low Dropout, Micropower Regulator with 2.5V Reference

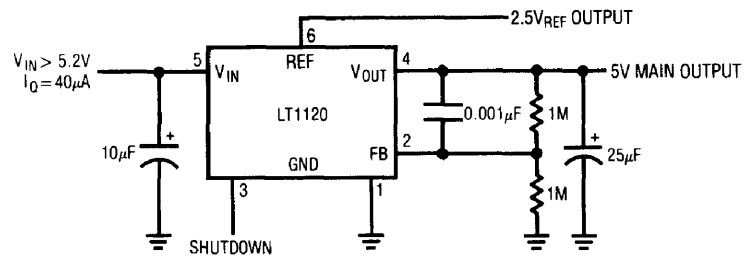


Figure 86. 5V Output, Low Dropout, Micropower Regulator with 2.5V Reference and Shutdown

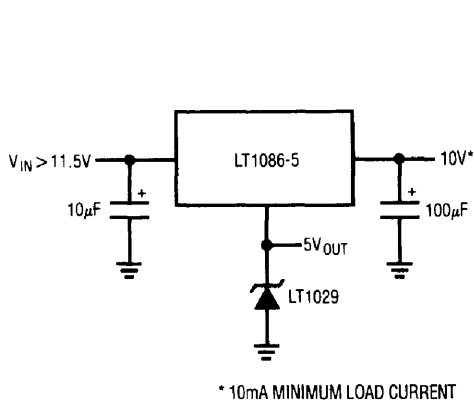


Figure 87. High Current Regulator with Reference

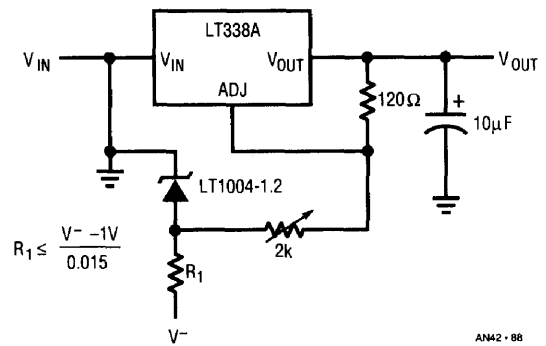


Figure 88. High Current Variable Output Supply

APPENDIX A

Precision Resistor Selection

Resistors are commonly used in precision linear circuits. Common precision resistor technologies include thin-film, thick-film, metal foil, and wirewound. Selecting the appropriate resistor type for a given application requires some understanding of the capabilities of the various devices available.

In many applications resistor selection depends on resistance value, absolute accuracy, and power dissipation. However, when designing precision linear circuits other performance parameters usually must be considered. These include temperature coefficient, load life stability, and voltage coefficient. The relative importance of any parameter depends on the particular application. Table A1 lists characteristics of different resistor types. Because individual processes vary, characteristics for the same resistor technology vary between manufacturers.

Package type can significantly influence stability. Some packages more effectively protect the resistive element from stresses due to handling, packaging, insertion, and lead forming. Also, manufacturing conditions including solder baths, cleaning solutions, and humidity can cause shifts in a resistor's value. Common package choices include conformal coating, molded and hermetic types. Conformal coated parts are the most common types in semi-precision applications. Hermetic sealing offers substantial stability improvements, regardless of resistor technology. Hermetically sealed metal cases also provide electrostatic shielding and isolation from humidity and other environmental effects.

Ultra-stable time and temperature characteristics become an issue when circuitry must hold calibration over extended ranges of time and temperature. In these applications an oil filled package may be required. The oil integrates ambient temperature variations, preventing thermal gradients across the resistor.

Various technologies available offer a spectrum of price-performance tradeoffs. Because of this, a summary of resistor types is useful.

Thin-Film

In the thin-film process, typically metal film, Nickel-Chromium (Nichrome) or Tantalum-Nitride is deposited on a ceramic substrate by evaporation or sputtering techniques. The sputtering process is preferred since it produces a more stable device. The 750Å-1500Å film can be applied to either a planar substrate or a ceramic cylindrical core. Resistor networks use the planar substrate with discrete thin-film resistors utilizing the familiar cylindrical shape. Nichrome parts have typical temperature coefficient of resistance (TCR) of 25ppm/°C for a planar substrate and 50ppm/°C for a ceramic core substrate. Tantalum-Nitride resistors tend to be slightly higher.

Bulk-Metal Foil

Bulk-metal foil resistors are made with a Nickel-Chromium alloy that is cemented to a planar ceramic substrate. The Nichrome alloy, substrate, and adhesive material are carefully balanced to achieve an overall low temperature sensitivity. The bulk-metal foil's 25,000Å thickness is significantly less susceptible to humidity than thin-film types.

Bulk-metal foil resistors are ultra-precision components. Generally, they offer tighter tolerance, better stability, and lower TCR's than their thin-film counterparts. Their high stability and uniformity makes them a good candidate for precision networks. The networks use hybrid type construction and offer extraordinary ratio stabilities (0.5ppm/°C). Unfortunately, bulk-metal technologies may cost two to five times that of film resistors.

Wirewound

Wirewound resistors are usually made by winding resistive wire of a specific diameter and characteristic around a core or card. Performance depends on the alloy used, wire lengths, diameter, and annealing process. Wirewound resistors can be ultra-precision components and are best suited in applications that require absolute accuracy, stability, power, or low resistance value. Wirewounds have excellent overload handling capability, but are poor candidates for high speed work due to inductive effects. Special winding schemes can greatly reduce this parasitic inductance, but never entirely eliminate it.

Table A1. Typical Resistor Characteristics

CHARACTERISTIC	CARBON COMPOSITION	THIN-FILM CARBON FILM	THICK-FILM CERMET	THIN-FILM NiCr FILM	WIREWOUND	METAL FOIL (MOLDED)	METAL FOIL (HERMETIC)
Ohmic Range	2.7M-100M	1M-4.7M	1M-3M	10M-3M	20k-468k	1k-250k	1k-250k
Absolute Accuracy*	5% 20%-5%	5.0%	1.0% 5.0%-0.1%	0.1% 1.0%-0.01%	0.01% 1.0%-0.005%	0.01% 1.0%-0.005%	0.01% 1.0%-0.001%
Temperature Coefficient*	-5000ppm/°C	-200ppm/°C -100ppm/°C--1500ppm/°C	100ppm/°C 25ppm/°C-200ppm/°C	10ppm/°C 5ppm/°C-25ppm/°C	5ppm/°C 1.0ppm/°C-20ppm/°C	2.5ppm/°C-8ppm/°C	0.6ppm/°C
TCR Tracking*				1: (1-9), 1.0ppm/°C 1: (10-100), 2.0ppm/°C 1: (100-1000), 4.0ppm/°C	1: (1-4), 0.5ppm/°C 1: (5-10), 2.0ppm/°C	1: (1-4), 0.5ppm/°C 1: (5-10), 1.0ppm/°C	1: (1-4), 0.5ppm/°C 1: (5-10), 1.0ppm/°C
Ratio Matching*				1: (1-9), 0.005% 1: (10-100), 0.01% 1: (100-1000), 0.02%	1: (1-4), 0.005% 1: (5-10), 0.1%	1: (1-4), 0.005% 1: (5-10), 0.01%	1: (1-4), 0.005% 1: (5-10), 0.01%
Load-Life Stability*	1kHRS, 6% -4%	3.0%	1.0%	1kHRS, 0.02%	10kHRS, 0.2%	2kHRS, 0.015% 10kHRS, 0.05%	2kHRS, 0.015%
Shelf-Life*	2.0%	0.1%	30ppm/YR	100ppm/YR	25ppm/YR	5ppm/YR	
Voltage Coefficient Of Resistance	-0.02%/V		0.05ppm/V	0.1ppm/V	0.1ppm/V	0.1ppm/V	
Resistor Classification	General Purpose	General Purpose	Semi-Precision	Precision	Precision	Ultra-Precision	Ultra-Precision
Manufacturer's Part Number	Allen-Bradley** CB Series	International** Resistive Co.	International** Resistive Co.	International** Resistive Co. MARS	Vishay/Ultronix** 105A	Vishay** S102 Series	Vishay** VHP1000

* ± Unless otherwise stated
 ** Parameters may vary between manufacturers
 % = ppm × 0.0001
 0.0001% = 1ppm
 0.001% = 10ppm
 0.01% = 100ppm
 0.1% = 1000ppm
 1% = 10000ppm

Thick-Film

Thick-film resistors are made from a paste mixture of Metal-Oxide (cermet) and binder particles, screen printed onto a ceramic substrate and fired at high temperatures. They are semi-precision components, with standard 1% tolerance and typical TC's of 100ppm/°C to 200ppm/°C.

Carbon Composition/Carbon Film

Carbon composition resistors are made from a large chunk of resistive material. They can handle large overloads for a short period of time. This is their main advantage over the other resistor technologies. They are general purpose components, not precision. Carbon composition resistors do not have constant TC's. TC's can vary anywhere between -2000ppm/°C to -8,000ppm/°C and have shelf-life stabilities of 2% to 5% of resistance value (20,000ppm/Yr to 50,000ppm/Yr).

Carbon film resistors are manufactured using a thin-film process. Initial tolerance and TC are similar to carbon composition. However, they do not have the high overload capability. The sole advantage is their low cost.

Resistor Manufacturers

1. Vishay/Ultronix
461 North 22nd Street
P.O. Box 1090
Grand Junction, CO 81502
(303) 242-0810
2. Vishay Resistive Systems Group
63 Lincoln Highway
Malvern, PA 19355
(215) 644-1300
3. International Resistive Company
P.O. Box 1860
Boone, NC 28607
(704) 264-8861
4. Julie Research Laboratories
508 West 26th Street
New York, NY 10001
(212) 633-6625
5. Allen-Bradley Company, Inc.
Electronic Components Division
1414 Allen-Bradley Drive
El Paso, TX 79936-4888
(800) 592-4888

APPENDIX B

Capacitor Selection

Capacitor selection for voltage reference circuitry requires care. Capacitor parasitics can introduce errors. Typical capacitors found in reference circuitry include aluminum and tantalum electrolytics, ceramic, and polyester. Table B1 summarizes characteristics pertinent to reference applications. It reveals that equivalent value capacitors have electrical characteristics that vary widely between different capacitor technologies.

Leakage current becomes an issue when an RC network filters a reference voltage. The leakage combines with the resistor to shift the output voltage. Leakage varies with time and temperature and varies from device to device. A low leakage capacitor must be used in these applications. The problem is illustrated by considering Figure B1. With $R = 1M$, a 1×10^{-12} leakage path in a capacitor creates a 1ppm error. Figure B2 is another approach to minimizing leakage induced errors. Here, the voltage across C1 is reduced to zero by bootstrapping via R1. Under these conditions C1's leakage current is effectively zero since there is 0V across it. C2's leakage appears in series with R1, rendering it harmless.

Output capacitors provide low output impedance at high frequencies. Large capacitors at the output of some refer-

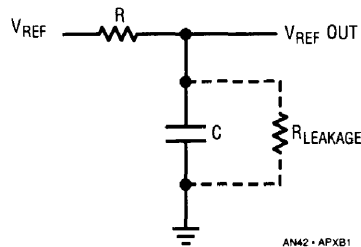


Figure B1. Leakage in the Capacitor Divides V_{REF} 's Output, Introducing Error

Table B1. Typical Capacitor Characteristics

CHARACTERISTIC	ALUMINUM SOLID ELECTROLYTIC	POLYESTER FILM	SOLID TANTALUM ELECTROLYTIC	MULTILAYER CERAMIC	ALUMINUM ELECTROLYTIC	UNIT
Capacitance	0.47	0.47	0.47	0.47	0.47	μF
ESR* 100kHz	0.198	0.456	4.5	0.062	5.4	Ω
Leakage Current* @ 5V	20	0.03	30	0.16	175	nA
Manufacturer's	SANYO	SANYO	KEMET	KEMET	SANYO	

*Typical

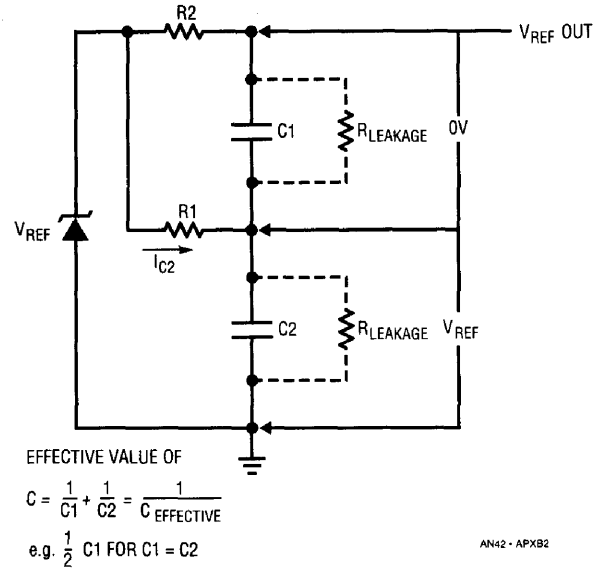


Figure B2. Bootstrapping Technique Minimizes Leakage Effects

ences may cause oscillations. The capacitor introduces a feedback pole which reduces phase margin of the reference. Phase shift can be excessive with low effective series resistance (ESR) capacitors. The phase shift can be reduced by placing a small value resistor in series with the capacitor. If the phase shift is significant the reference will ring during transient conditions or simply oscillate. This condition is particularly significant for SAR type A/D converter applications. Here, the reference output must settle quickly or conversion errors will result. Consult manufacturers data sheet for recommended output bypassing techniques. Also, all references are not stable with all capacitive loads.

Leakage and AC effects are not the only sources of problems. Some ceramic capacitors have a piezoelectric response. A piezoelectric device generates a voltage across it's terminals due to mechanical stress, similar to the way a piezoelectric accelerometer or microphone works. For a ceramic capacitor the stress can be induced by vibrations

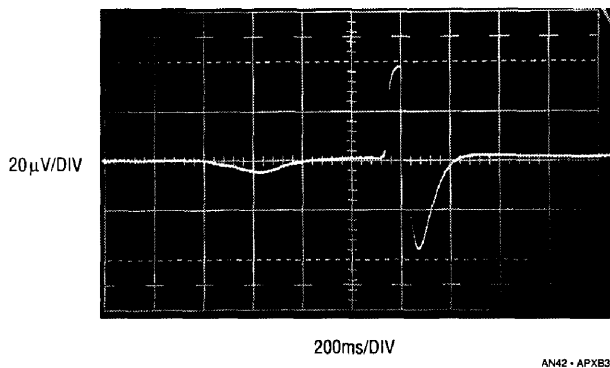


Figure B3. A Ceramic Capacitor Responds to Light Pencil Tapping

in the system or thermal transients. The resulting voltages produced can cause appreciable reference errors. A ceramic capacitor produced Figure B3's trace in response to light tapping from a pencil. Similar vibration induced behavior can masquerade as reference instabilities.

Capacitor Manufacturers

1. Nichicon (America) Corporation
927 East State Parkway
Schaumburg, IL 60195
(708) 843-7500
2. Sanyo Video Components (USA) Corporation
1201 Sanyo Avenue
San Diego, CA 92073
(619) 661-6322
3. United Chemi-Con, Inc.
9801 West Higgins Road
Rosemount, IL 60018
(312) 696-2000
4. Illinois Capacitor, Inc.
3757 West Touhy Avenue
Lincolnwood, IL 60645
(312) 675-1760
5. Kemet Electronics
P. O. Box 5928
Greenville, SC 29606
(803) 963-6300

APPENDIX C

Trimming Techniques

It is often necessary to adjust a resistor's value in precision circuits. The desired value may not be available or readily predictable. Either case necessitates a trim.

For optimum stability and adjustability, always use the smallest value of trim resistance that gives the required range of adjustment. This reduces the stability and drift due to the poor matching characteristics between the fixed resistor and trim resistor. There seems to be a tendency for designers to use a 0.01% resistor with a 1% trim adjustment. Don't pay for accuracy that isn't needed.

Avoid the extremes of resistance range when using a trimmer. Although the entire range will meet the stated specifications, mid-range values tend to perform (TC, tracking, etc.) better than low and high values.

Typical resistor trimming techniques are shown in Figure C1. Selecting the appropriate method depends on various factors including trim range, temperature stability, long term stability, manufacturing processes, and calibration procedures. Figure C1(A) is a general purpose trim. This technique has an extremely wide range. Equation 1 represents the percentage change in the desired resistor value, R_{EQ} , for a change in trim resistance. This equation is useful when determining the optimum trimmer resistance and is provided for the various trimming schemes. If increased stability is required, the circuit in Figure C1(B) can be used. In this case, increased stability is achieved at the expense of a narrower trim range. R1 must have a tighter absolute tolerance than in the previous circuit for this technique to be useful. For improved resolution, a resistor can be placed in series with this network, see Figure C1(C). This approach is best suited for ultra-precision applications, since it has the highest resolution.

In some applications potentiometers may be unreliable. In these cases, resistor value can be trimmed by selecting the appropriate series resistor value, see Figure C1(D). However, this requires numerous resistors that must be hand picked in production. An alternative approach is to use a binary weighted trim as in Figure C1(E). The resistance is trimmed by opening various links. With just four resistors there are 16 different resistor values possible.

With this method, the need for a bin of resistors on the production floor is eliminated.

Often, the best solution is to have coarse and fine adjustments. This can provide a more stable resistor value. Figure C1(F) illustrates various ways to implement this approach.

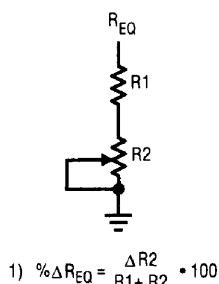
In many voltage reference circuits it is necessary to scale and buffer the output of a reference to some calibrated voltage. The trim sets the output voltage to the desired degree of accuracy. Figure C2 shows various techniques for trimming the buffered output. These examples utilize various resistor trimming techniques to set output voltage.

Figure C2 (B) shows a simple voltage reference circuit. The reference is connected to the non-inverting input of an op amp. The feedback resistors around the op amp scale the output voltage to the approximate output voltage. The potentiometer fine tunes the output to the desired value.

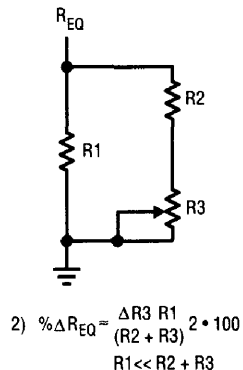
The temperature coefficient (TC) of the op amps gain setting resistors can add significant error to the reference output due to ambient temperature changes. The circuits temperature coefficient is primarily set by the ratio matching characteristics of the resistors, as opposed to their absolute tolerance. Matched resistor sets provide a decade or greater improvement in tempco performance than individually specified resistors. Therefore, resistors that have relatively high TC's can be used if they track.

Another interesting characteristic of this circuit is the magnitude of output voltage drift with temperature caused by the gain setting resistors. The drift error contributed by the resistors is determined by multiplying their ratio ($R1/R2$) by their TCR tracking tolerance. For example, to obtain a 10V output from a 6.9V reference the gain setting resistors ratio needs to be about 0.45. This means that 10ppm/°C resistor TCR tracking effects output voltage by only 4.5ppm/°C. Therefore, for minimum effect of the resistor's TCR tracking, it is desirable to have the reference voltage be a large percentage of the output voltage.

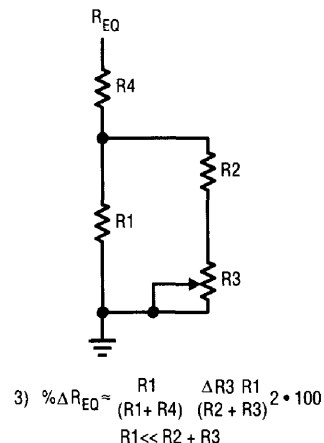
The remaining circuits in Figure C2 show some alternatives for trimming a reference voltage. The particular circuit selected depends upon the required performance specifications and manufacturing processes.



(A) General Purpose Trim



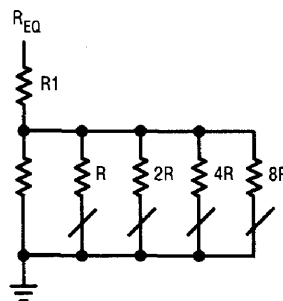
(B) Semi-Precision Trim



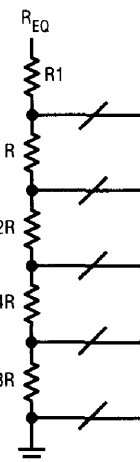
(C) Precision Trim



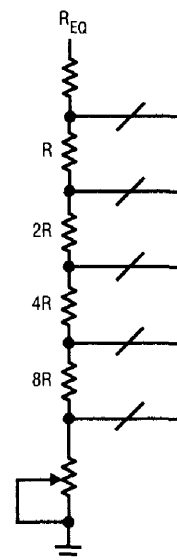
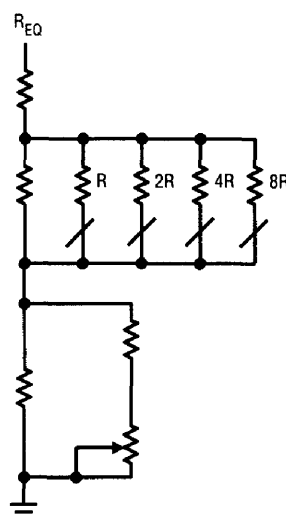
(D) User Selected Trim



(E) Jumper Selected Trim



(F) Coarse and Fine Adjustments



AN42 - APXC1

Figure C1. Resistor Trimming Techniques

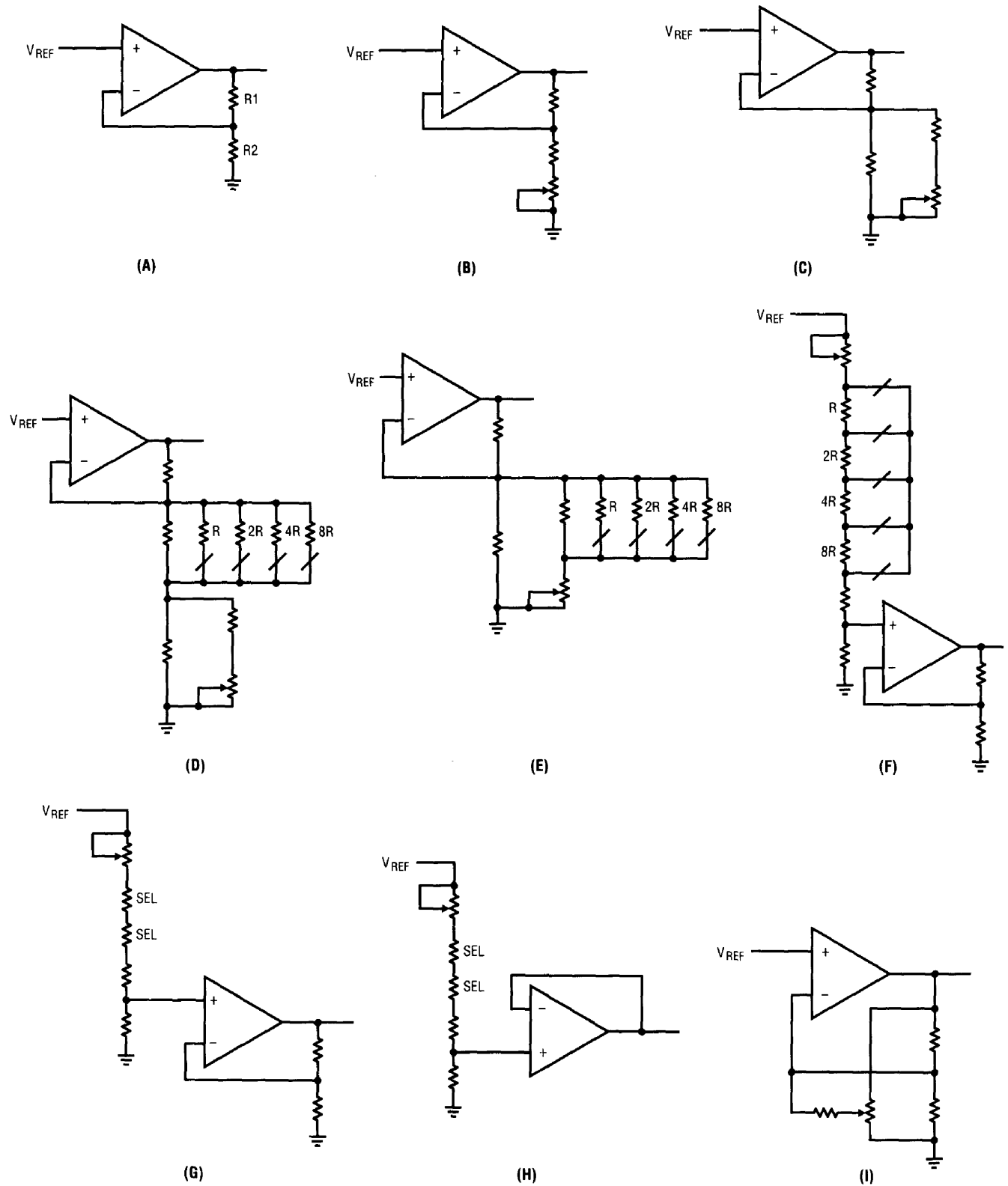


Figure C2. Output Voltage Trimming Techniques

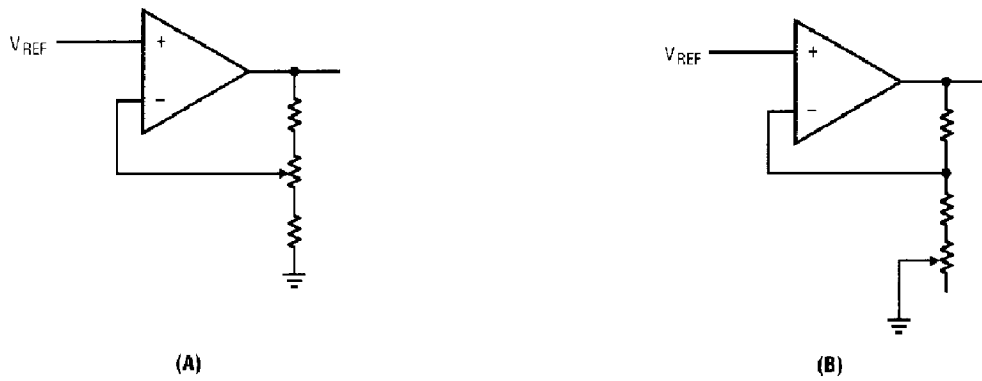


Figure C3. Unreliable Trimming Techniques

If reliability is an issue, do not rely on the potentiometer wiper contact. The open wiper condition is a common trimmer failure. If this occurs the outputs in Figure C3 will go to the supply rails, possibly damaging other system

components. With the unused portion of the trimmer tied to the wiper (Figure C2 (B)) the output can only shift by the amount permitted by the total trimmer resistance, improving reliability.