

Vorlage_100x75	
28.08.2012 16:57:18	
Sheet: 1/1	

1 2 3 4 5 6 7 8

A

B

C

D

E

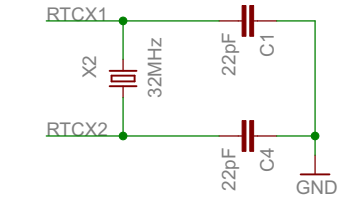
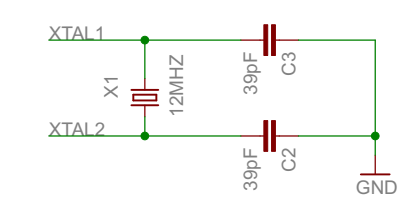
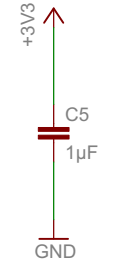
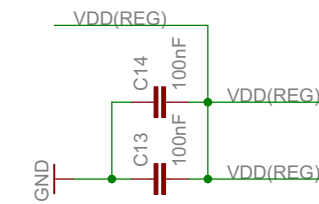
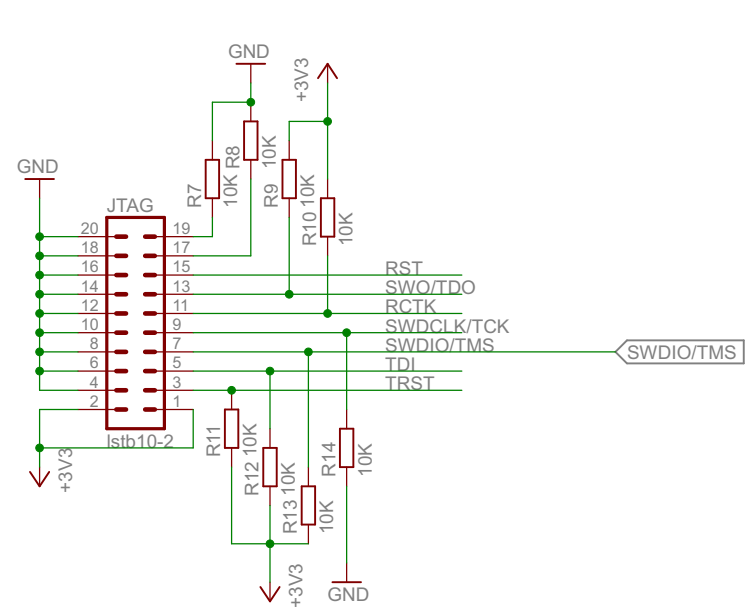
A

B

C

D

E

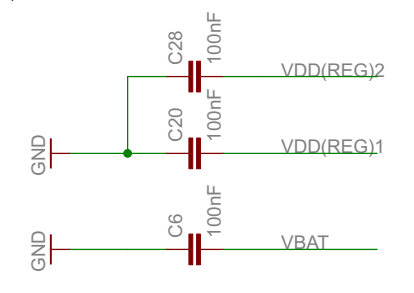
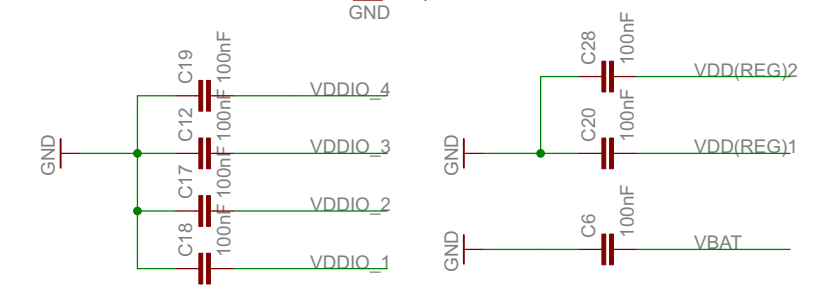
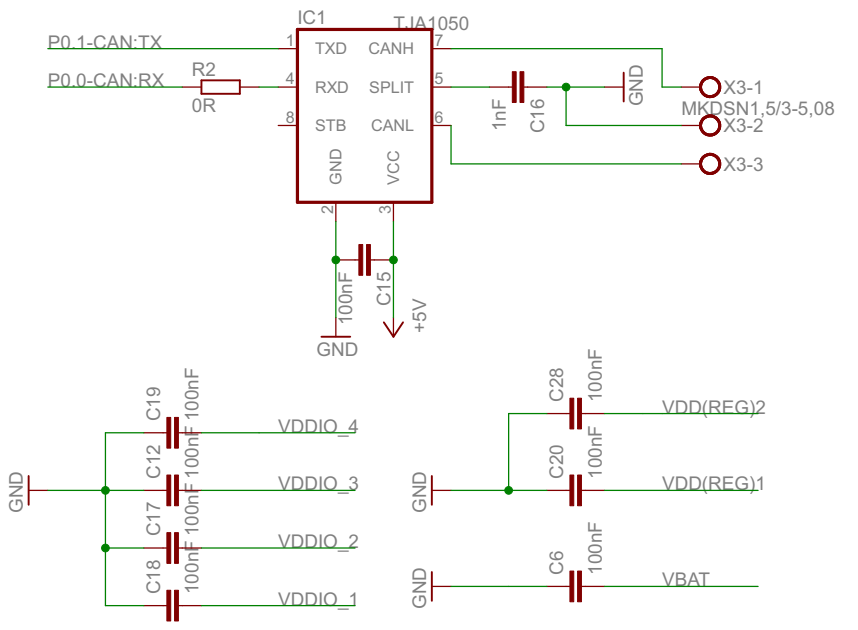
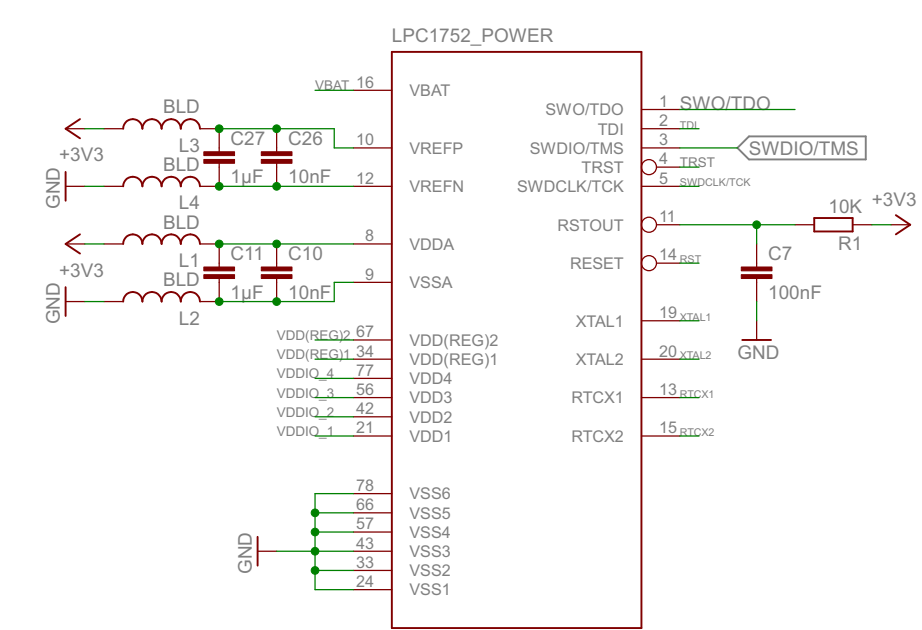


LPC1752_PORT0

Port 0	Pin	Function
SDA1/P0.0	37	P0.0-CAN:RX
SCL1/P0.1	38	P0.1-CAN:TX
TXD0/P0.2	79	
RXD0/P0.3	80	
SSEL1/P0.6	64	
SCK1/P0.7	63	
MISO1/P0.8	62	
MOSI1/P0.9	61	
TXD2/P0.10	39	
RXD2/P0.11	40	
TXD1/P0.15	47	
RXD1/P0.16	48	P0.16/P1.20-HALL0/PHA
CTS1/P0.17	46	P0.17/P1.23-HALL1/PHB
P0.18	45	P0.18/P1.24-HALL2/IDX
P0.22	44	
AD0.2/P0.25	7	
AD0.3/P0.26	6	
USB_DP/P0.29	22	
USB_DM/P0.30	23	

LPC1752_PORT1

Port 1	Pin	Function
P1.0	76	
P1.1	75	
P1.4	74	
P1.8	73	
P1.9	72	
P1.10	71	
P1.14	70	
P1.15	69	
P1.18	25	
P1.19	26	P1.19-MCOA0
SCK0/P1.20	27	P0.18/P1.20-HALL0/PHA
P1.22	28	P1.22-MCOB0
MISO0/P1.23	29	P0.17/P1.23-HALL1/PHB
MOSI0/P1.24	30	P0.18/P1.24-HALL2/IDX
P1.25	31	P1.25-MCOA1
P1.26	32	P1.26-MCOB1
P1.28	35	P1.28-MCOA2
P1.29	36	P1.29-MCOB2
VBUS/P1.30	18	
P1.31	17	P1.31-MOTORCURRENT



1 2 3 4 5 6 7 8