

AT-240160B

•240x160 dots 1/160 Duty

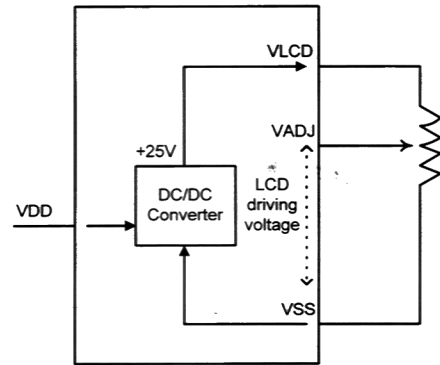
FEATURE

1. Construction : FSTN LCD, TAB IC and PCB.
2. Option : EL backlight, EL driver, Touch Panel.
3. Built-in Controller / Pure Driver
4. 5V or 3.3V single power input. Built-in DC/DC converter for LCD driving.
5. Normal / Extended temperature type.

ELECTRICAL CHARACTERISTICS

Parameter	Symbol	Condition	Typ. Value	Unit.
LCD Driving Voltage	VADJ-VSS	25°C	19.5	V
Supply Current (Controller)	IDD	VDD=5V	40	mA
Supply Current (Driver)	IDD	VDD=5V	20	mA

POWER SUPPLY

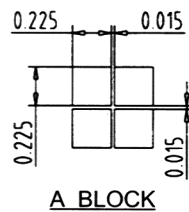
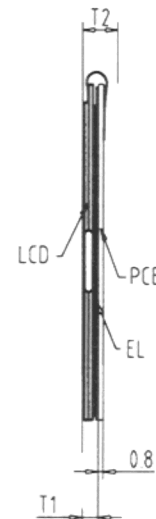
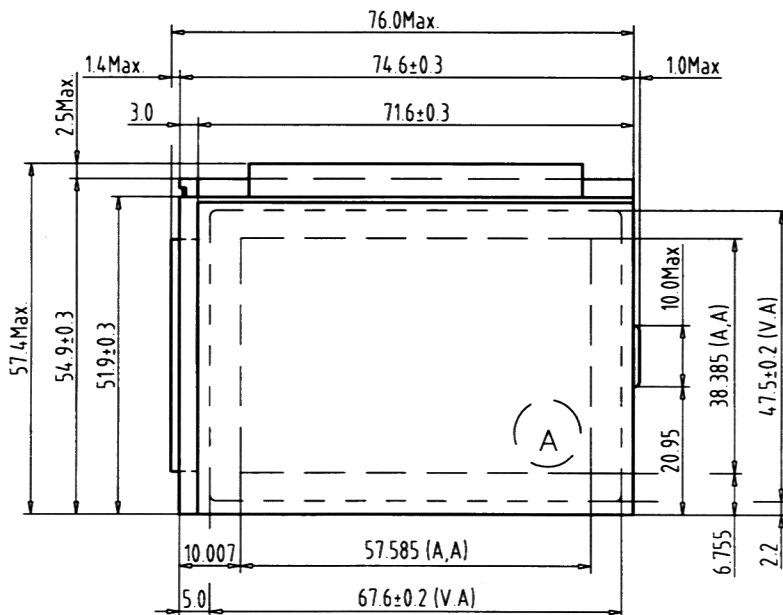


BUILT-IN CONTROLLER

1	2	3	4	5	6	7	8	9	10	11	12
/RESET	/RD	/WR	/CS	A0	DB0	DB1	DB2	DB3	DB4	DB5	DB6
13	14	15	16	17	18	19	20	21	22	23	24
DB7	VDD	VSS	VLCD	VADJ	EL_ON	EL1	EL2	Y1	X1	Y2	X2

PURE DRIVER

1	2	3	4	5	6	7	8	9	10
D0	D1	D2	D3	/DISPOFF	FLM	NC	LP	CP	VDD
11	12	13	14	15	16	17	18	19	20
VSS	VLCD	VADJ	EL_ON	Y1	X2	Y2	X1	EL1	EL2



THICKNESS

VERSION	T1	T2
NO BACKLIGHT	1.9 ± 0.3	6.0Max
EL BACKLIGHT	2.5 ± 0.3	6.6Max
Touch Panel	3.8 ± 0.3	8.0Max