

# DM-STF4BB

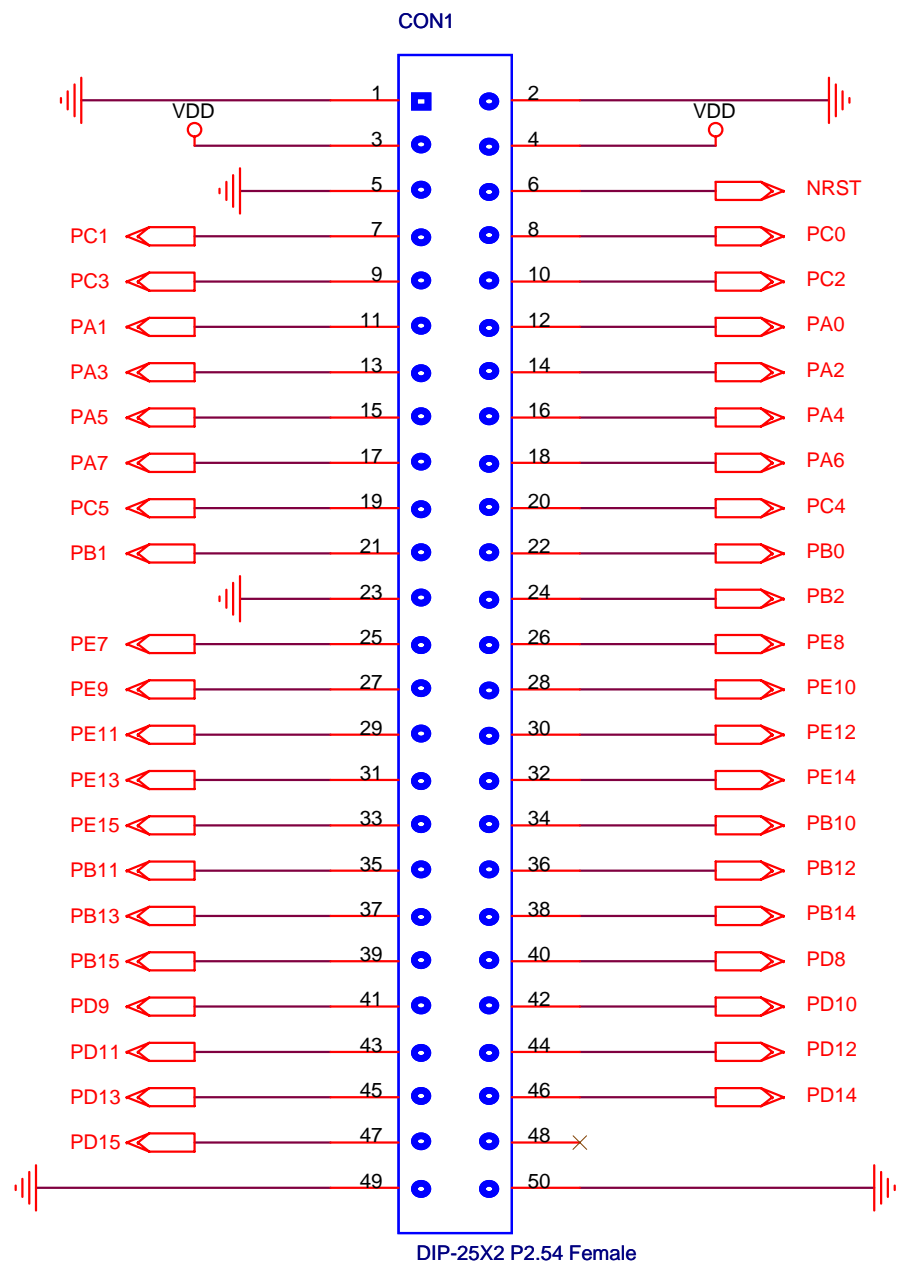
## REV HISTORY

REV	DATE	DESIGNER	INSTRUCTION
1.0	2012-7-12	Carlos Wei	INITIAL VERSION

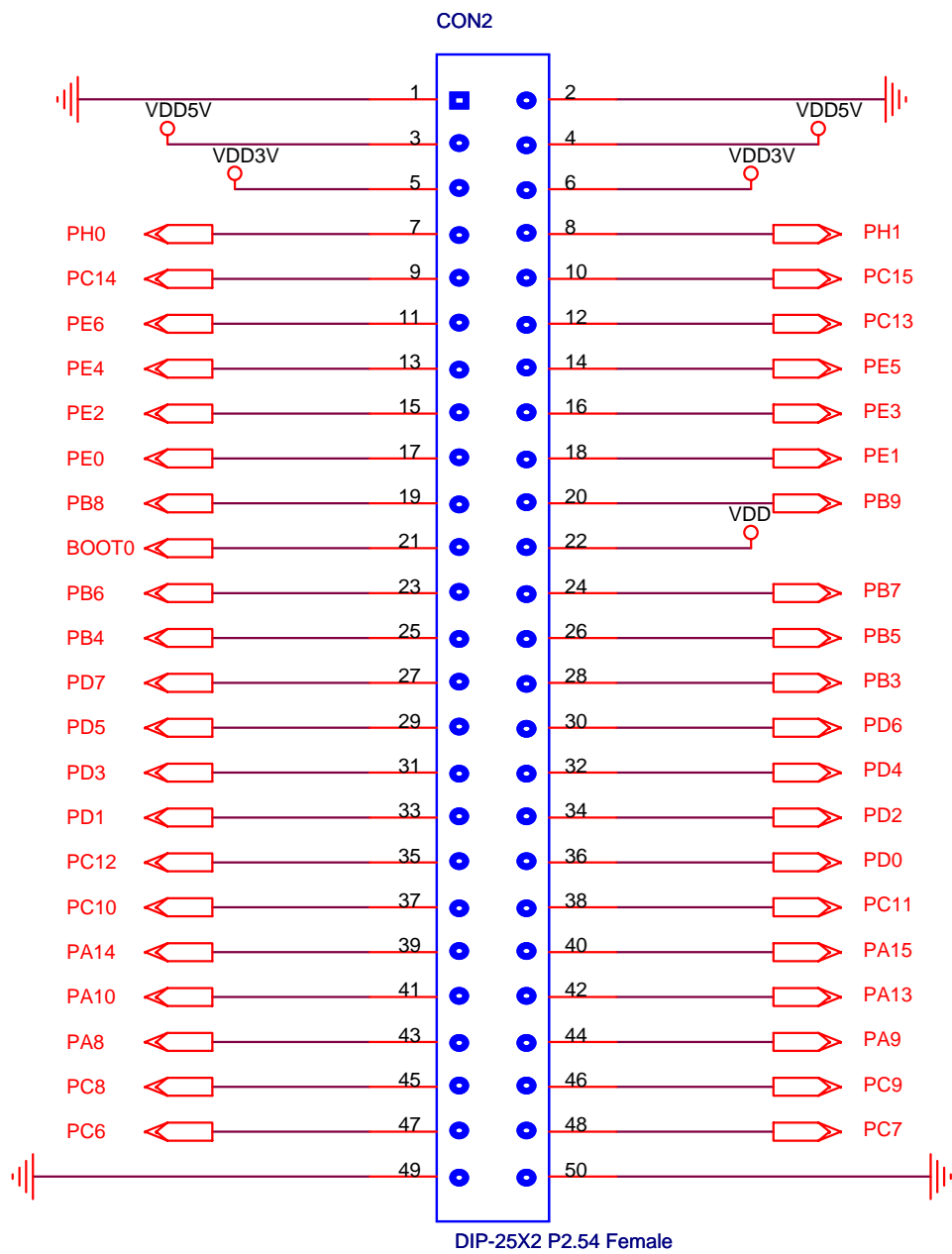
## INDEX

PAGE	SCHEMATIC
01	REV History & Block Diagram
02	Interface Headers
03	LCD & IO interface
04	Ethernet
05	DCMI & RS232 & MicroSD

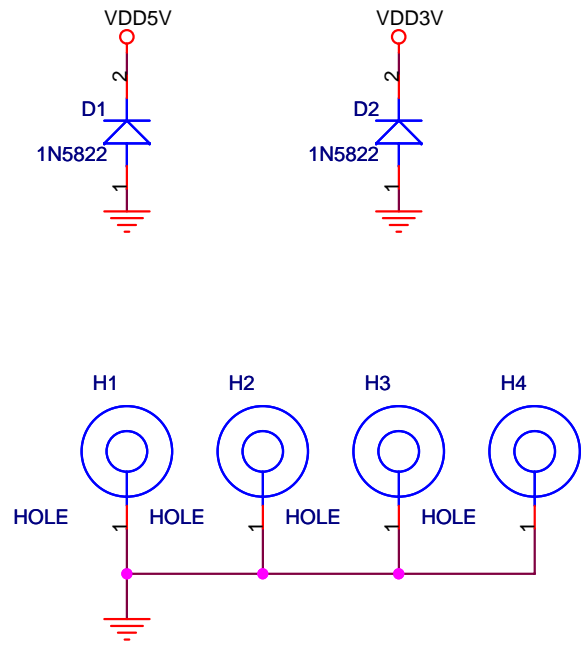
<b>Embest Technology Co., LTD</b>		
Title DM-STF4BB - Rev History & Block Diagram		
Size B	Document Number <b>DM-STF4BB-001-SH</b>	Rev V1.0
Date: Friday, August 17, 2012 Sheet 1 of 5		



DIP-25X2 P2.54 Female

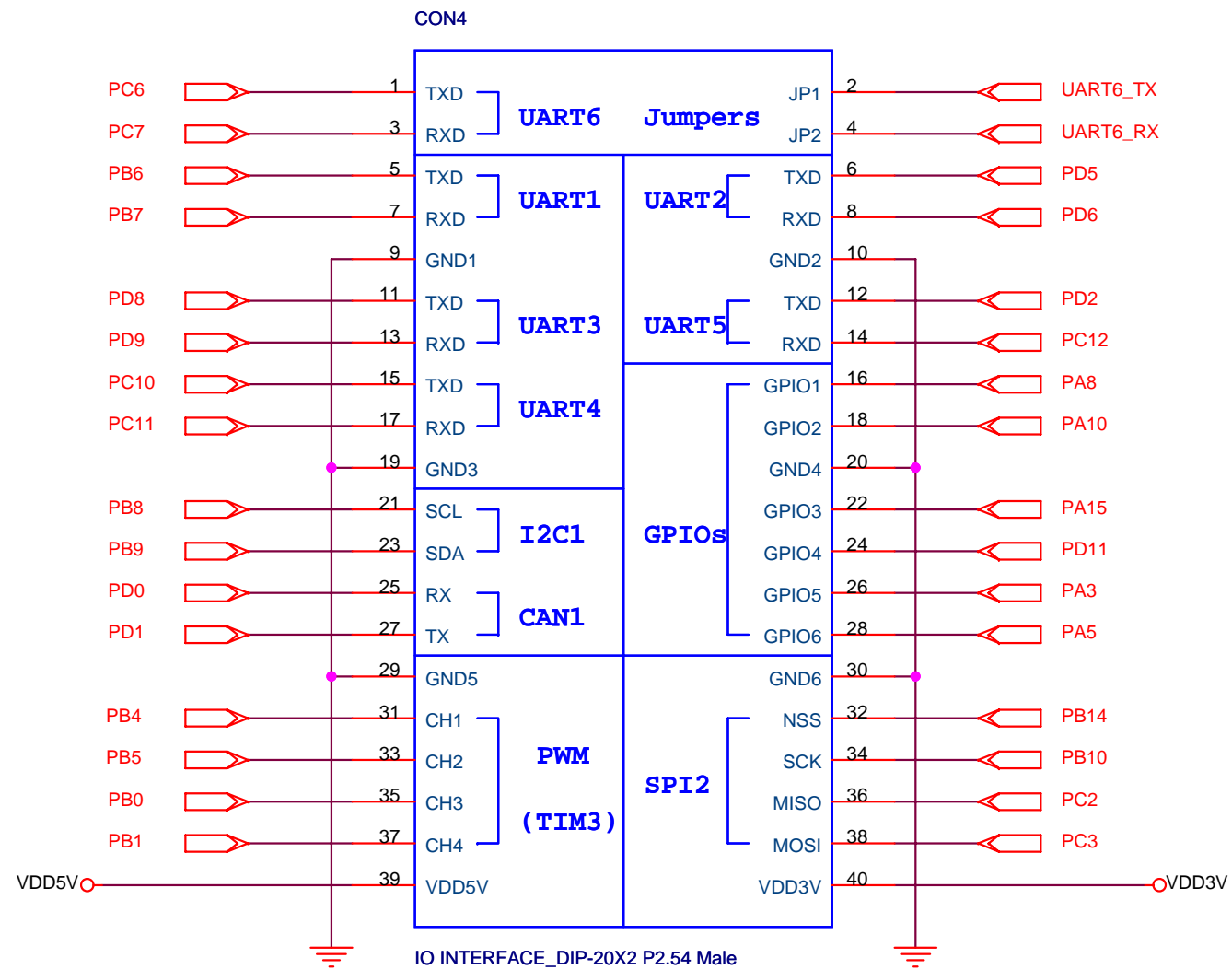
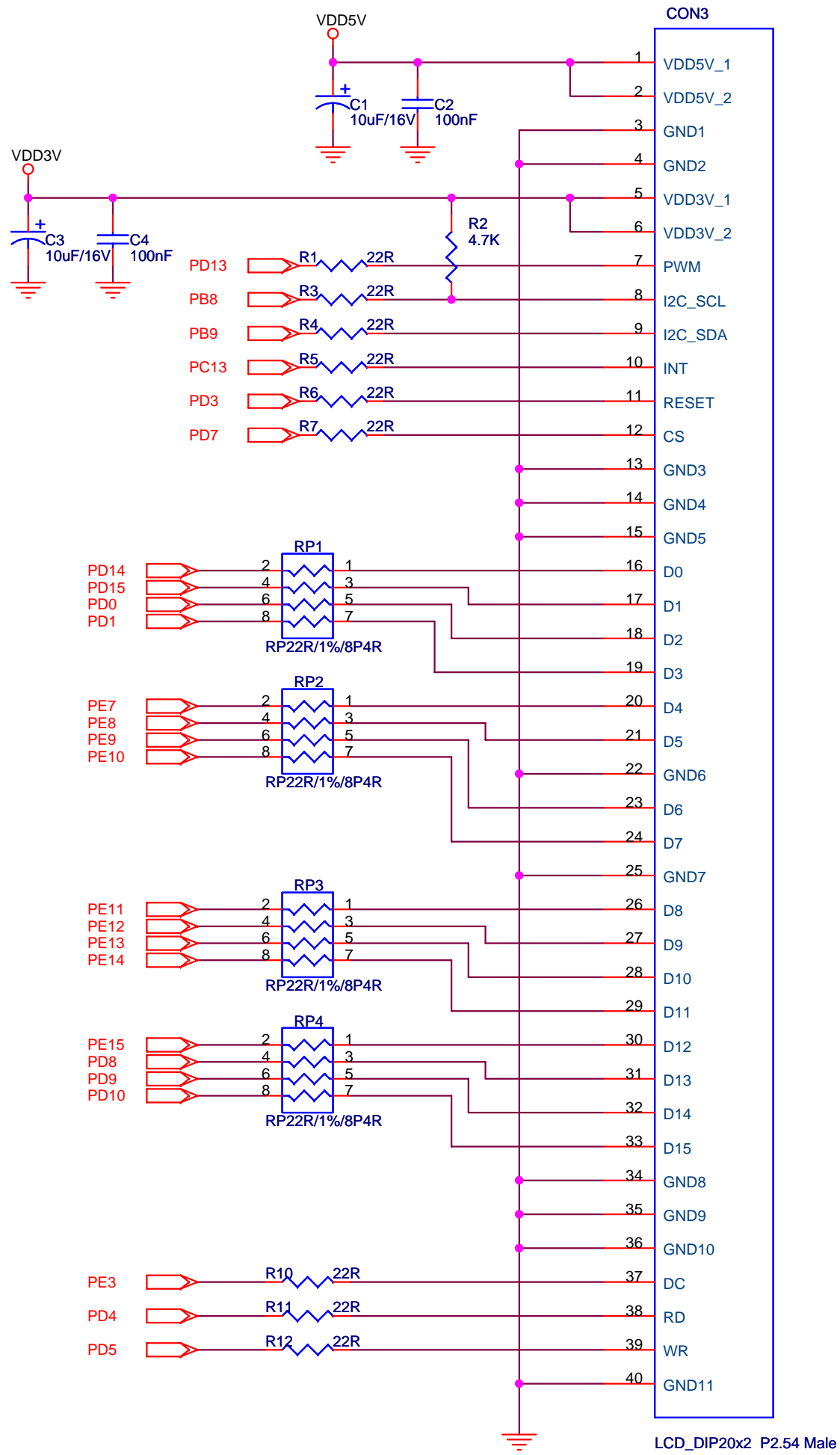


DIP-25X2 P2.54 Female



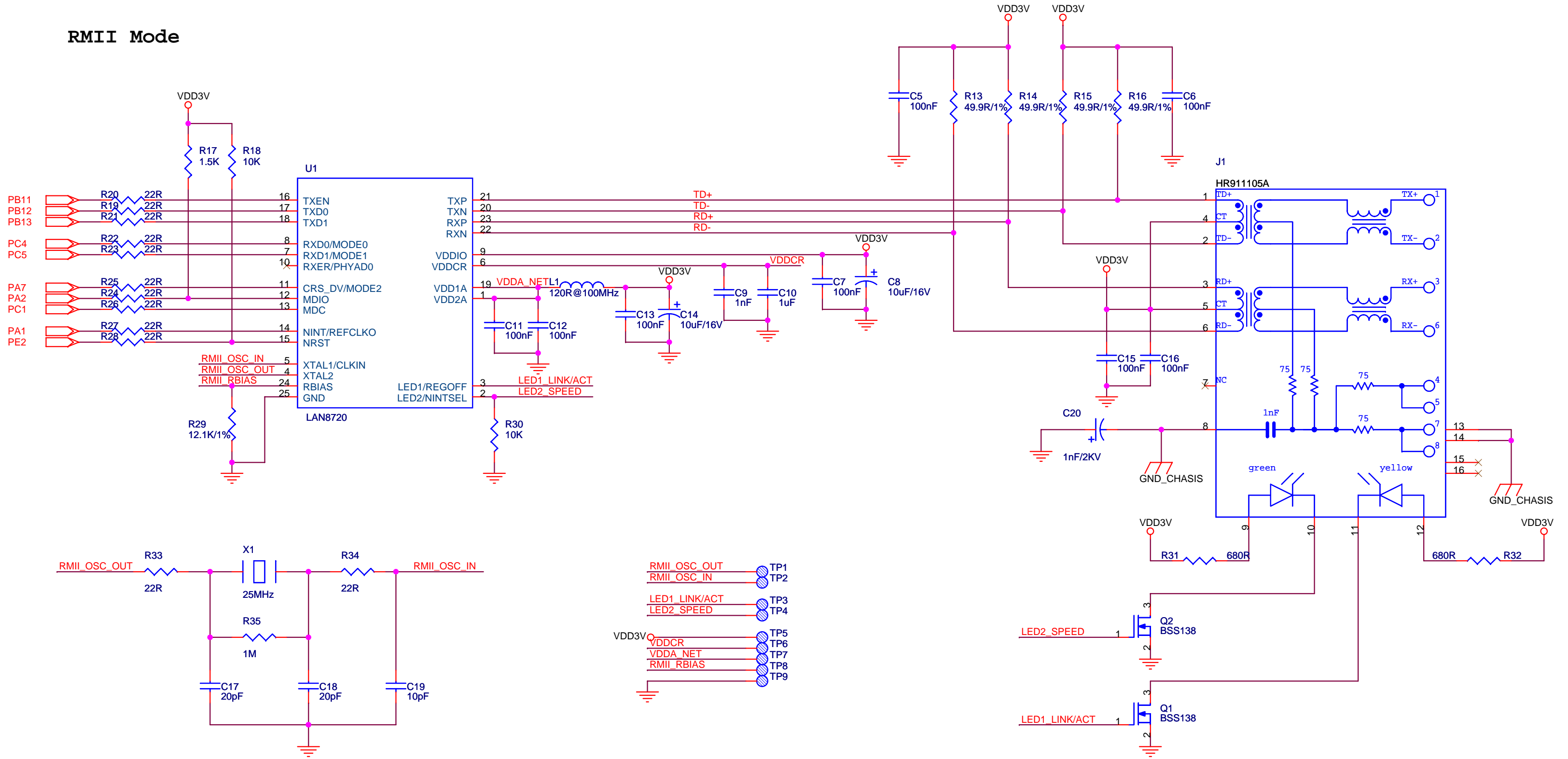
### Headers for STM32F4DISCOVERY

<b>Embest Technology Co., LTD</b>		
Title <b>DM-STF4BB - Interface Headers</b>		
Size B	Document Number <b>DM-STF4BB-001-SH</b>	Rev V1.0
Date:	Friday, August 17, 2012	Sheet 2 of 5



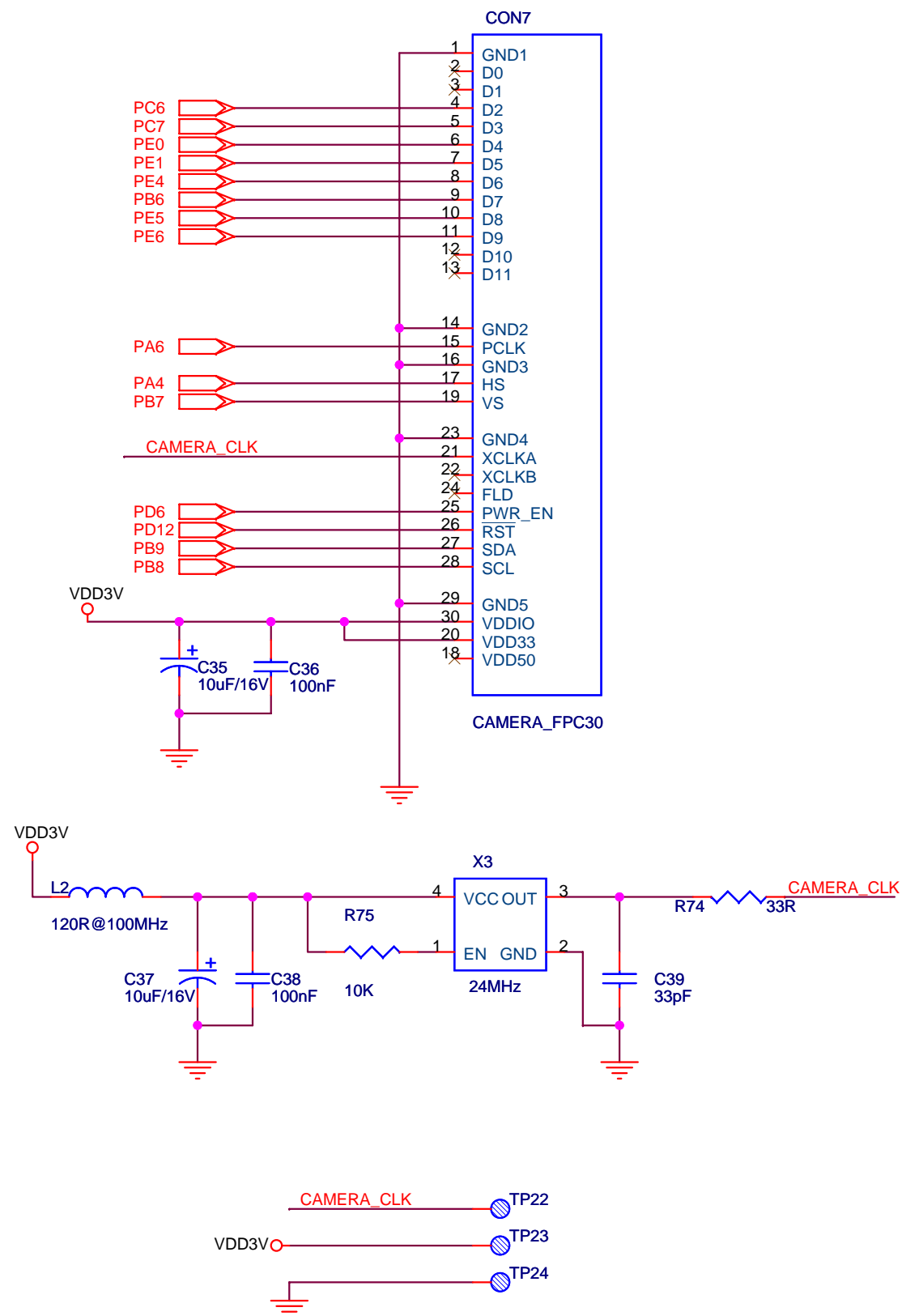
<b>Embest Technology Co., LTD</b>		
Title <b>DM-STF4BB - LCD &amp; IO Interface</b>		
Size B	Document Number <b>DM-STF4BB-001-SH</b>	Rev V1.0
Date:	Wednesday, August 22, 2012	Sheet 3 of 5

# RMII Mode

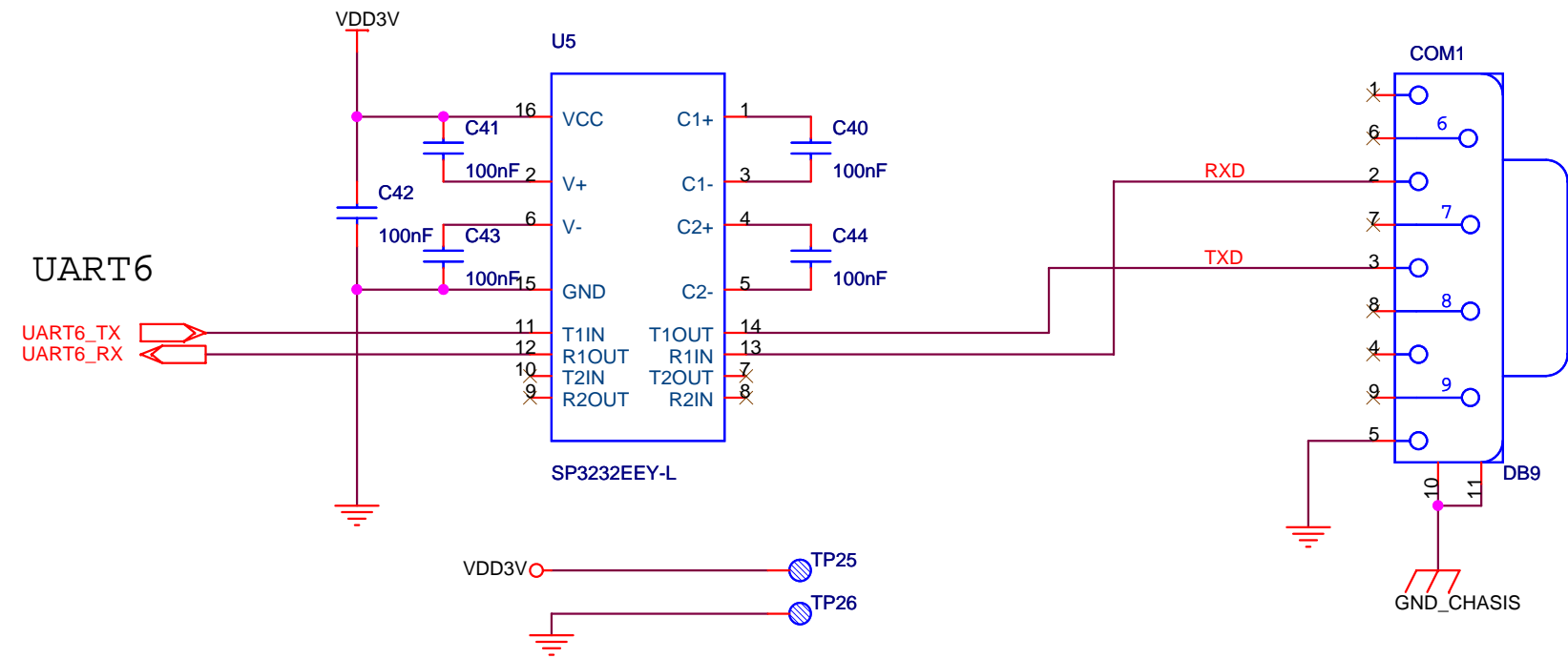


<b>Embest Technology Co., LTD</b>		
Title <b>DM-STF4BB - Ethernet</b>		
Size B	Document Number <b>DM-STF4BB-001-SH</b>	Rev V1.0
Date:	Friday, August 17, 2012	Sheet 4 of 5

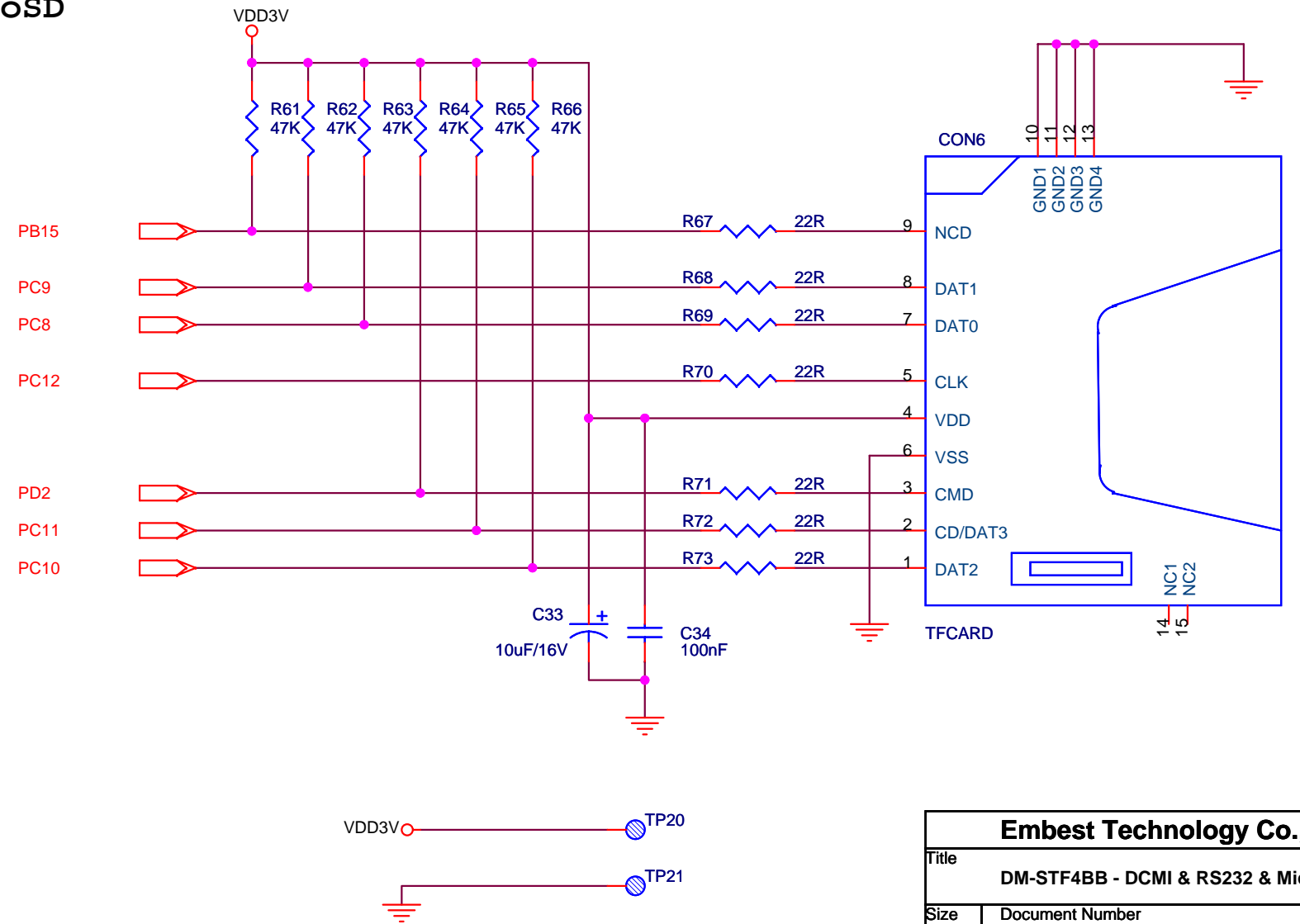
# Digital Camera Interface (DCMI)



# RS232



# MicroSD



<b>Embest Technology Co., LTD</b>		
Title <b>DM-STF4BB - DCMI &amp; RS232 &amp; MicroSD</b>		
Size B	Document Number <b>DM-STF4BB-001-SH</b>	Rev V1.0
Date:	Friday, August 17, 2012	Sheet 5 of 5