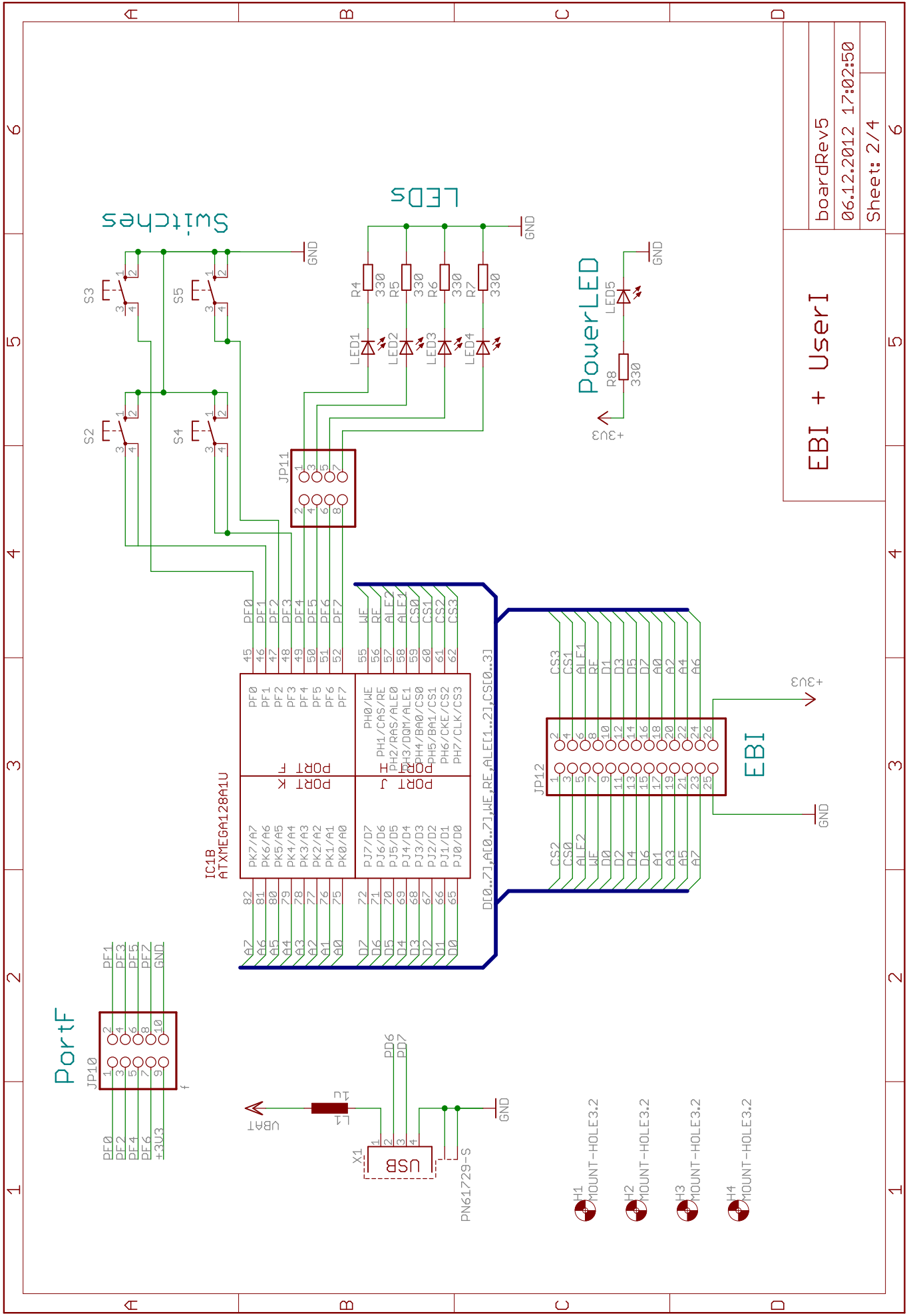


I/O + PDI	
	boardRev5
	06.12.2012 17:02:50
	Sheet: 1/4

1 2 3 4 5 6

A B C D



EBI + UserI	
boardRev5	
06.12.2012 17:02:50	
Sheet: 2/4	

1

2

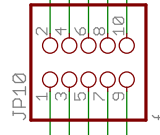
3

4

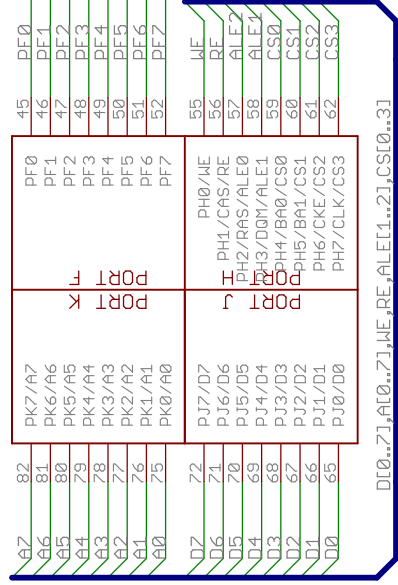
5

6

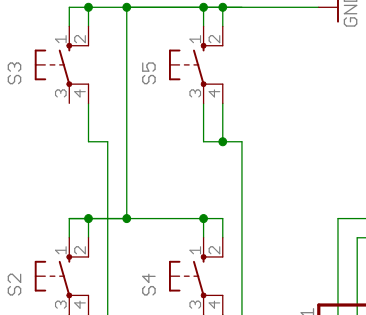
PortF



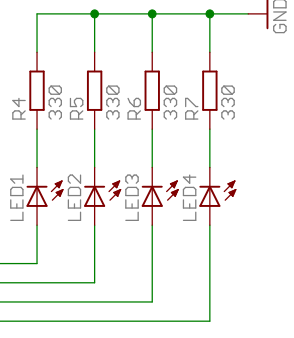
IC1B
ATXMEGA128A1U



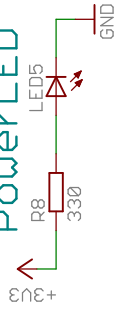
Switches



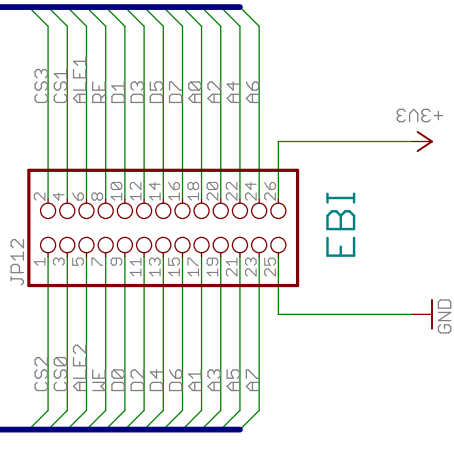
LEDs



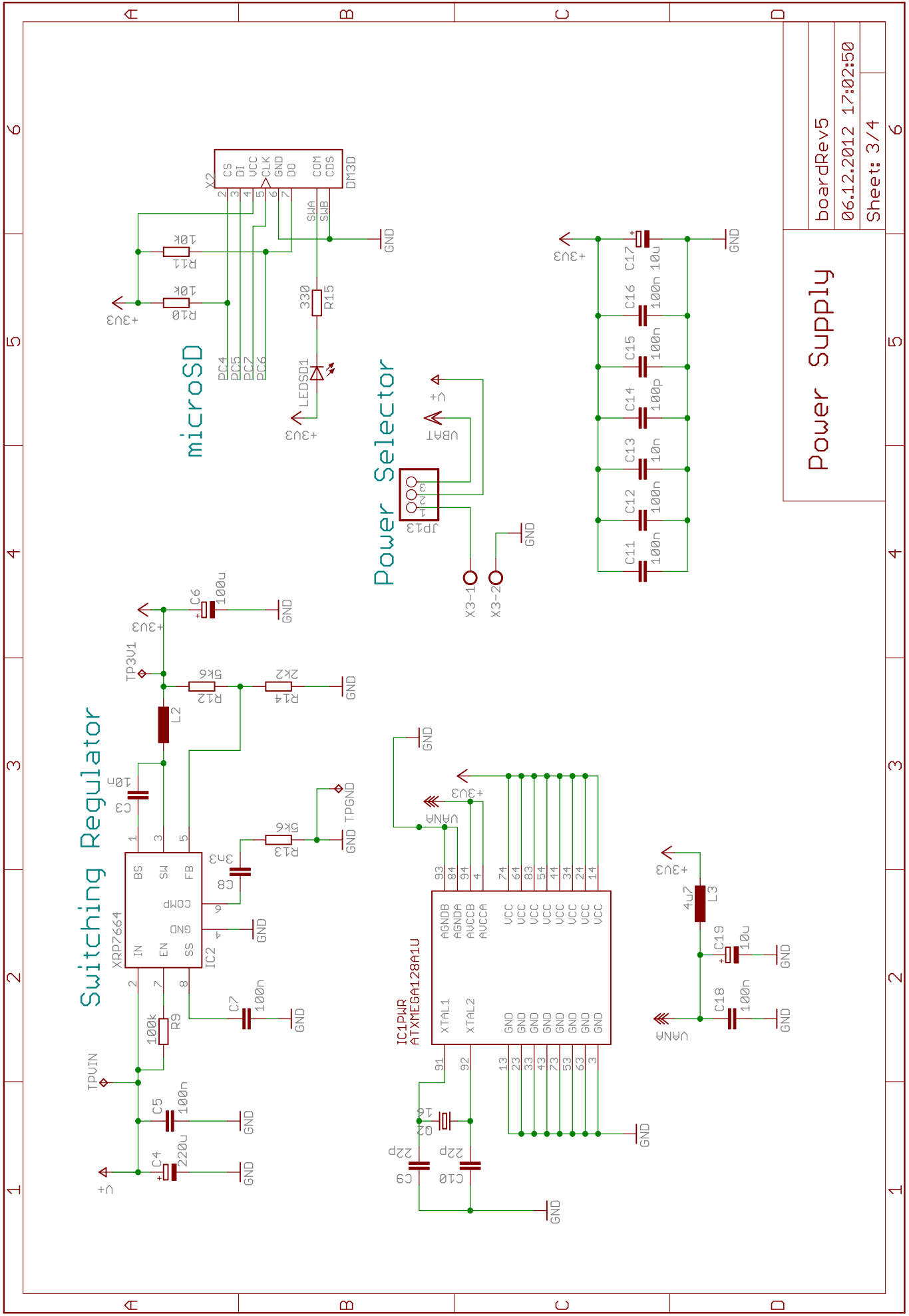
PowerLED



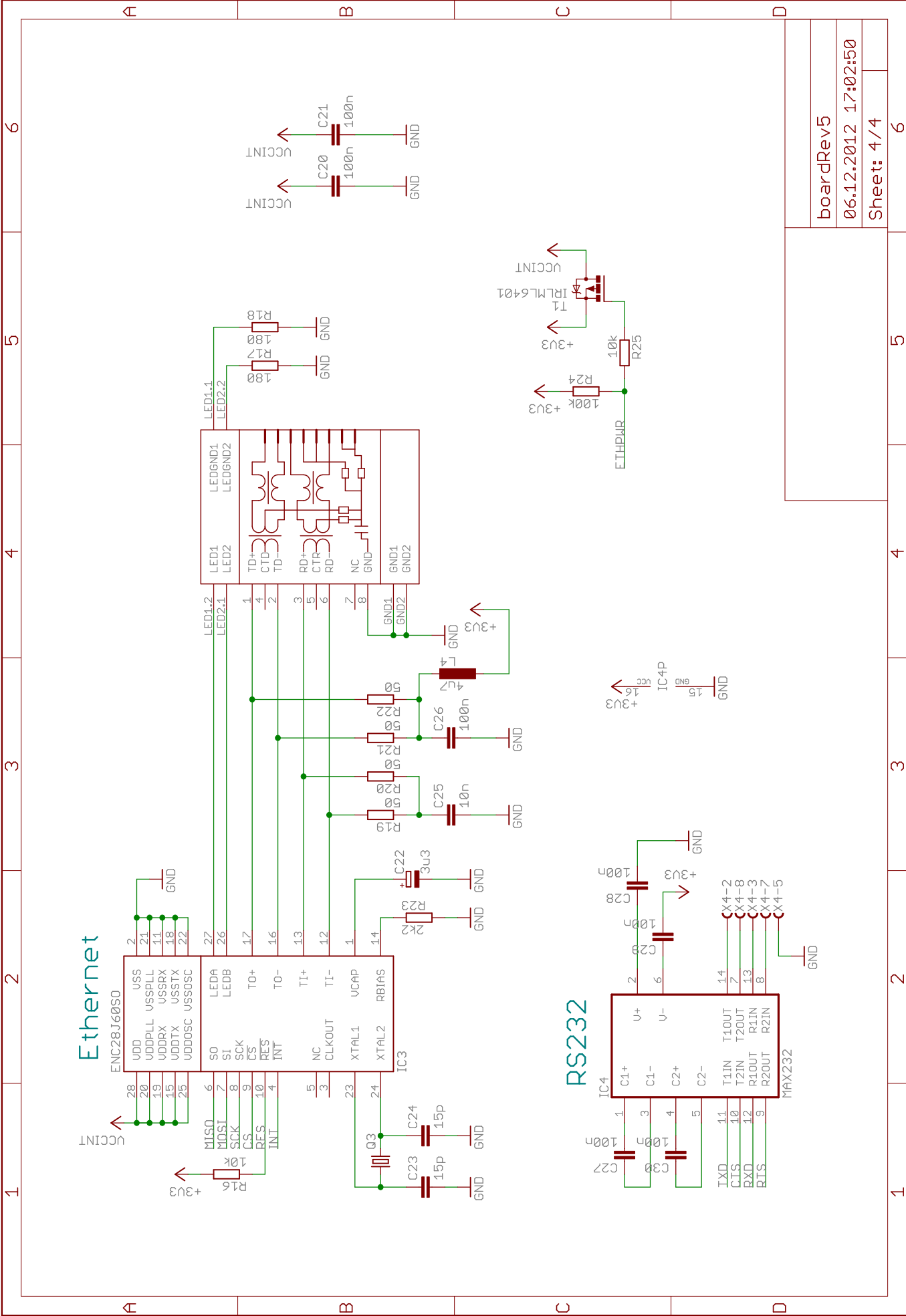
EBI



- H1 MOUNT-HOLE3.2
- H2 MOUNT-HOLE3.2
- H3 MOUNT-HOLE3.2
- H4 MOUNT-HOLE3.2



Power Supply		BoardRev5	6
		06.12.2012 17:02:50	6
		Sheet: 3/4	6



boardRev5
 06.12.2012 17:02:50
 Sheet: 4/4