

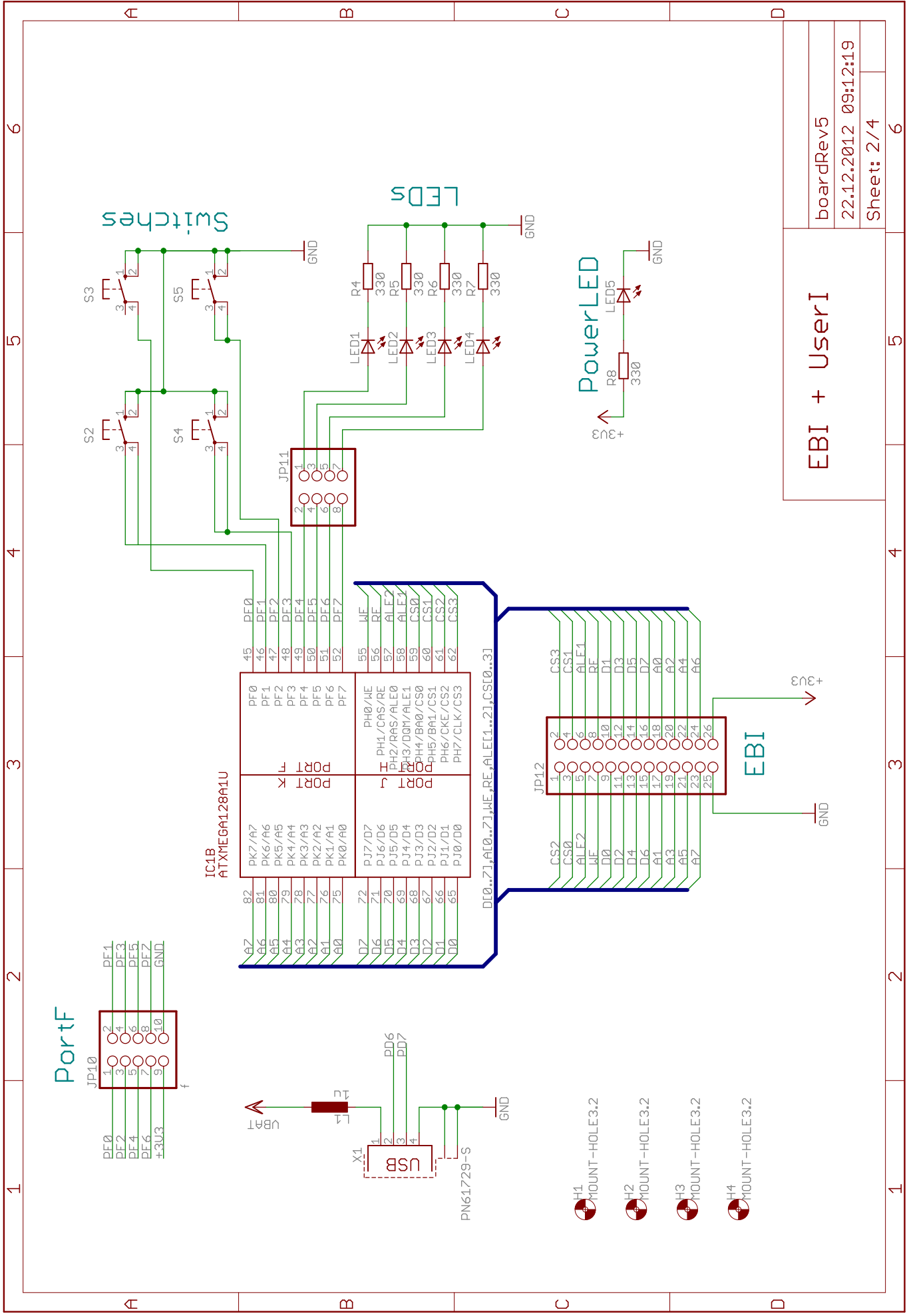
<b>I/O + PDI</b>	
boardRev5	
22.12.2012 09:12:19	
Sheet: 1/4	

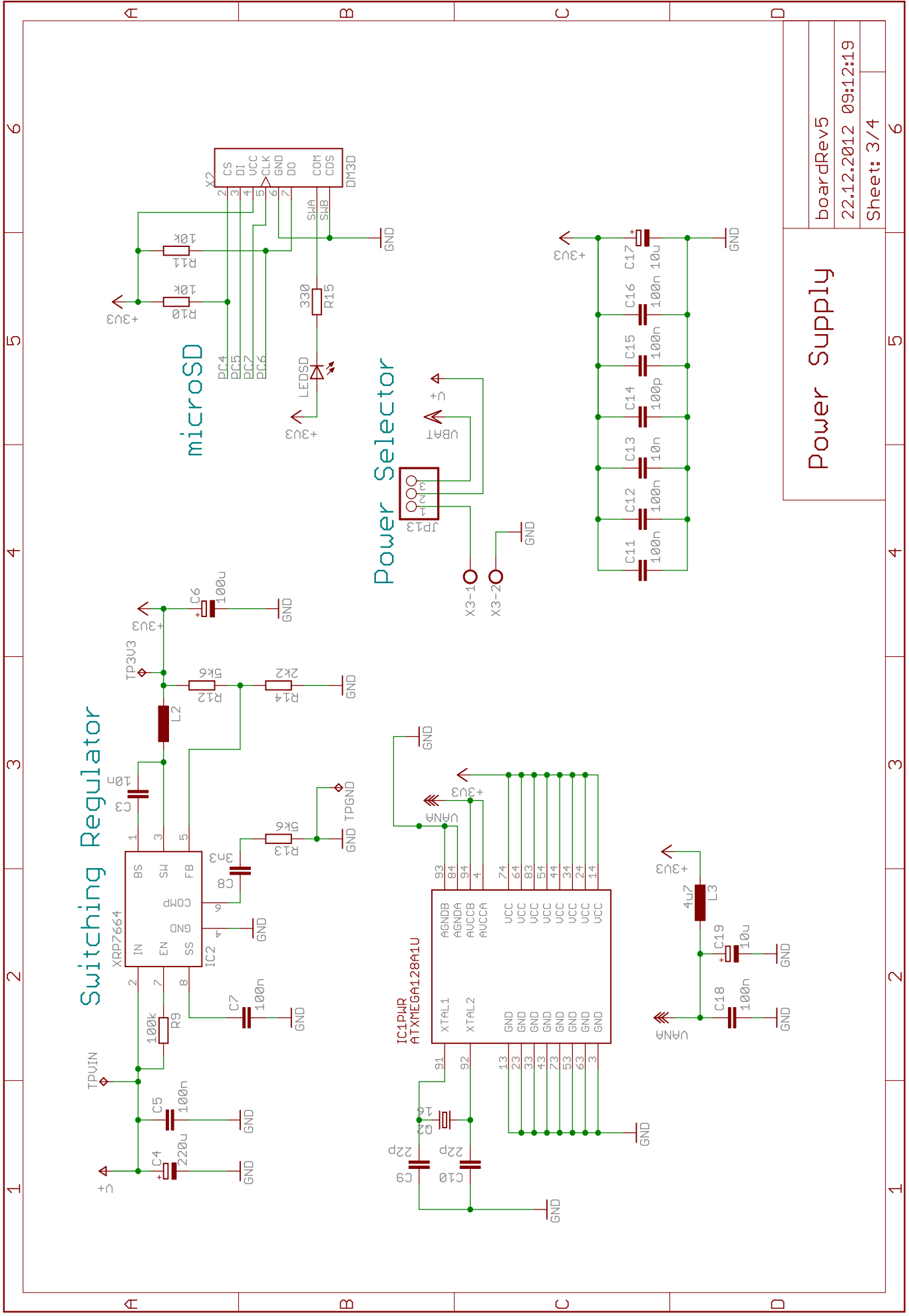
6 5 4 3 2 1

1 2 3 4 5 6

A B C D

A B C D



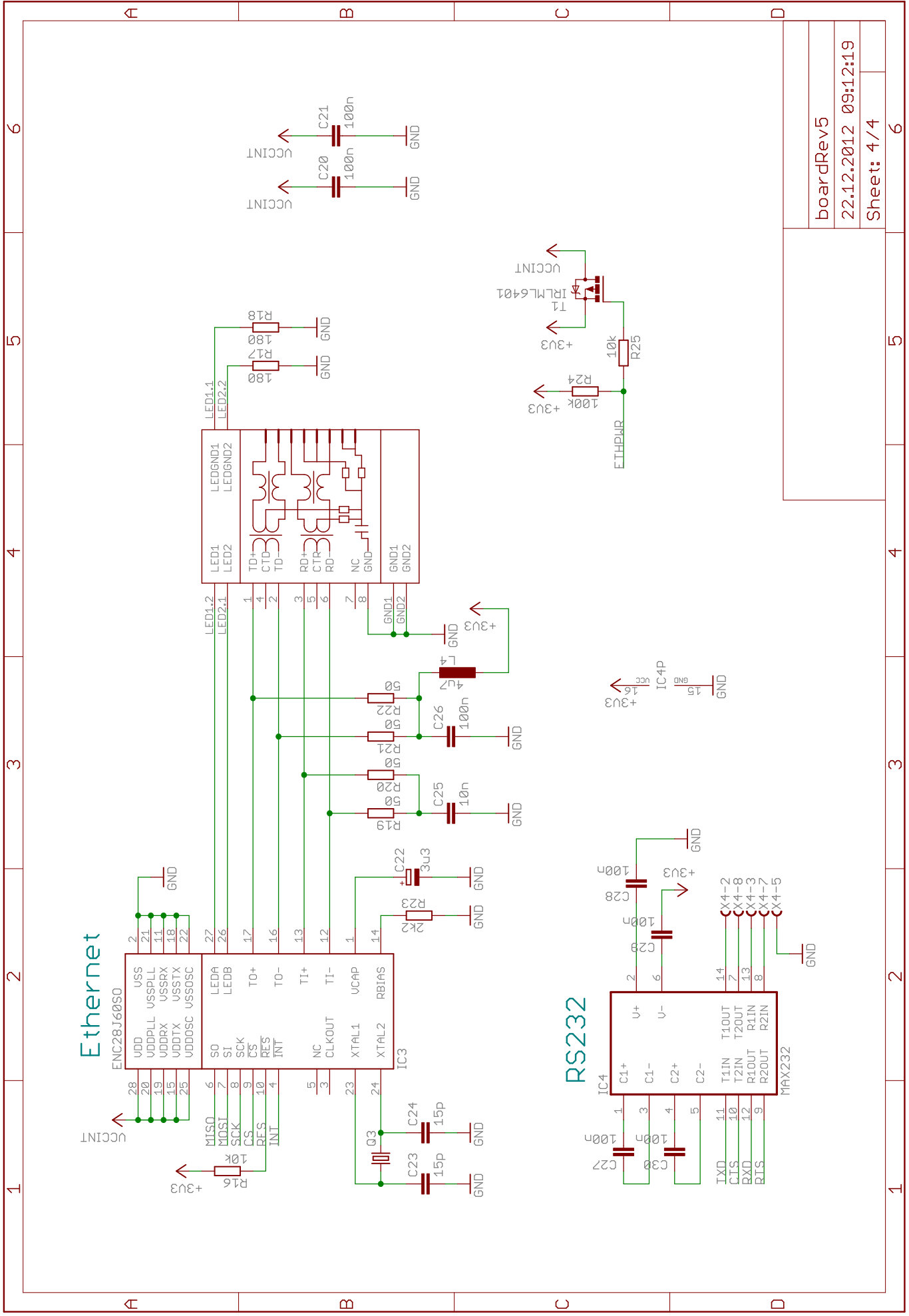


boardRev5
22.12.2012 09:12:19
Sheet: 3/4

# Power Supply

1 2 3 4 5 6

A B C D



boardRev5

22.12.2012 09:12:19

Sheet: 4/4