

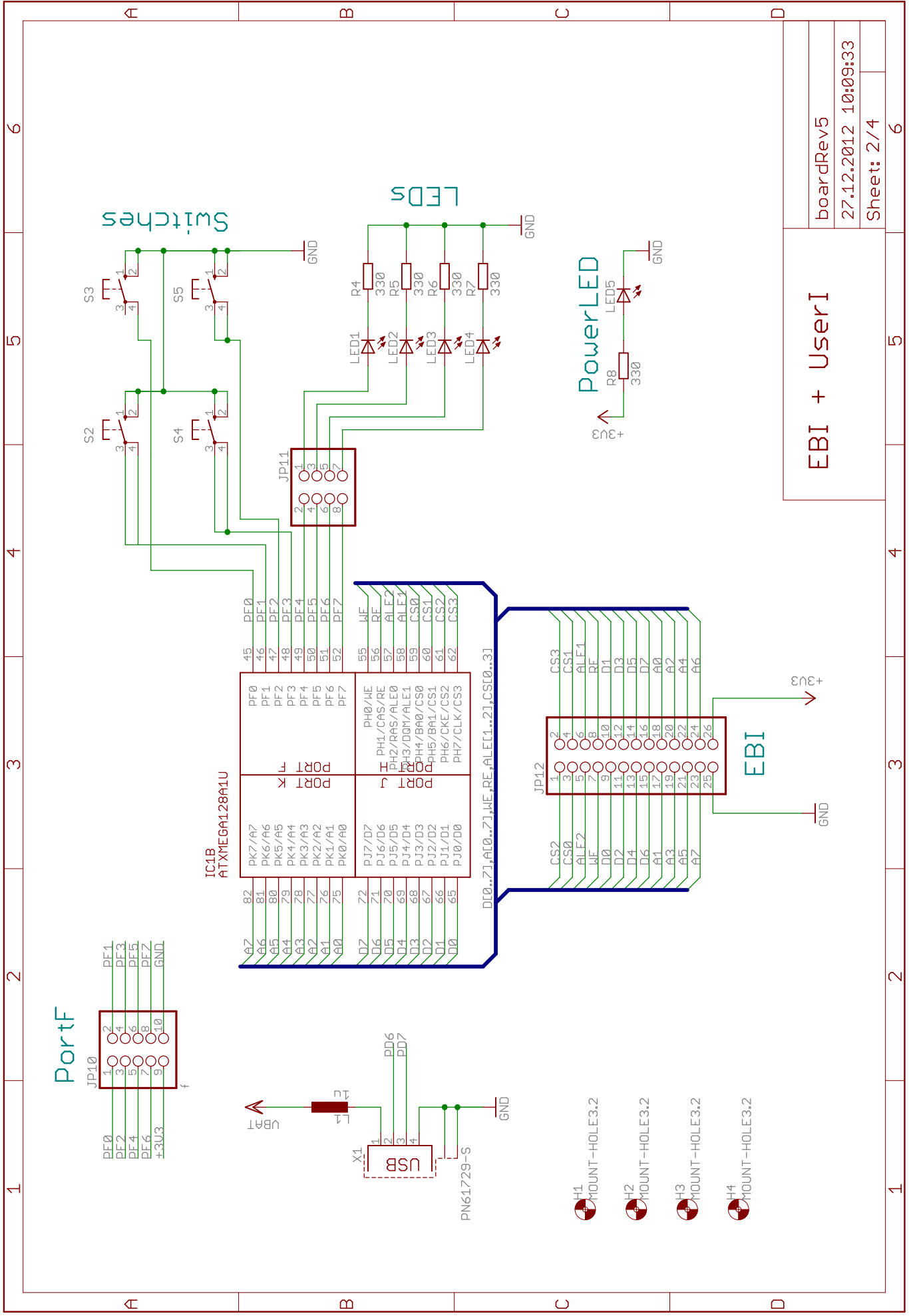
I/O + PDI

boardRev5

27.12.2012 10:09:33

Sheet: 1/4

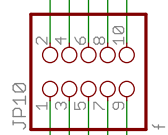
6



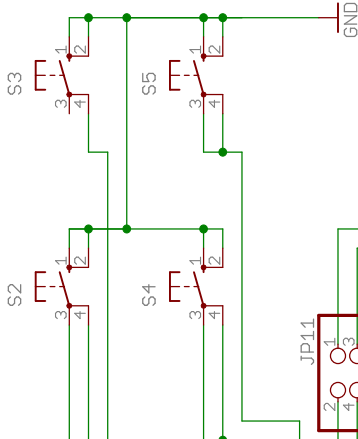
boardRev5
27.12.2012 10:09:33
Sheet: 2/4

EBI + UserI

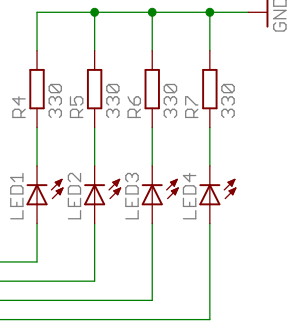
PortF



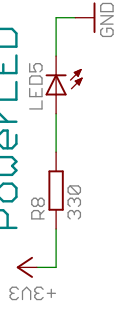
Switches



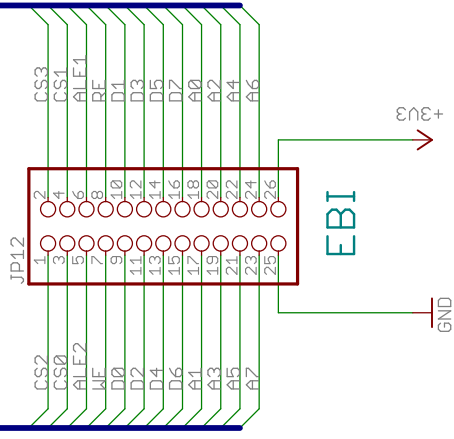
LEDs



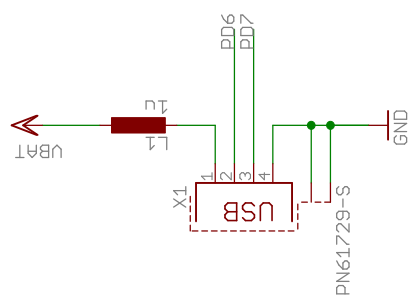
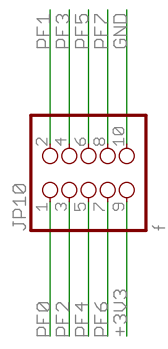
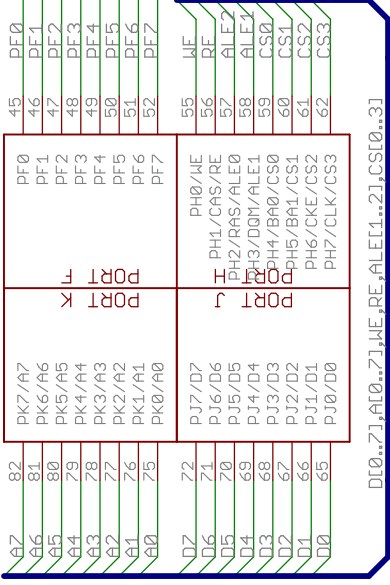
PowerLED



EBI



IC1B  
ATXMEGA128A1U



- H1 MOUNT-HOLE3.2
- H2 MOUNT-HOLE3.2
- H3 MOUNT-HOLE3.2
- H4 MOUNT-HOLE3.2

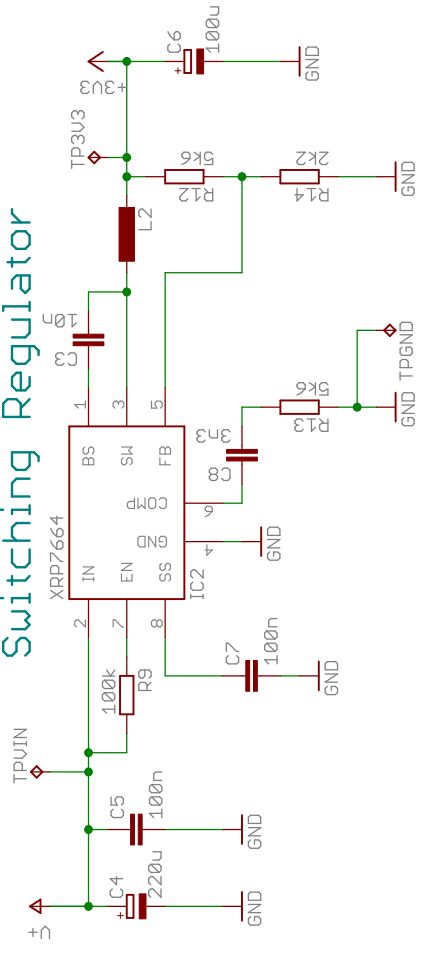
1 2 3 4 5 6

1 2 3 4 5 6

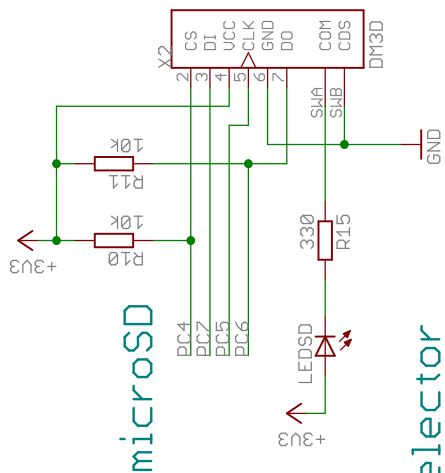
A B C D

A B C D

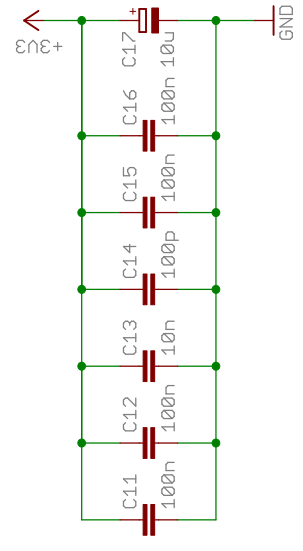
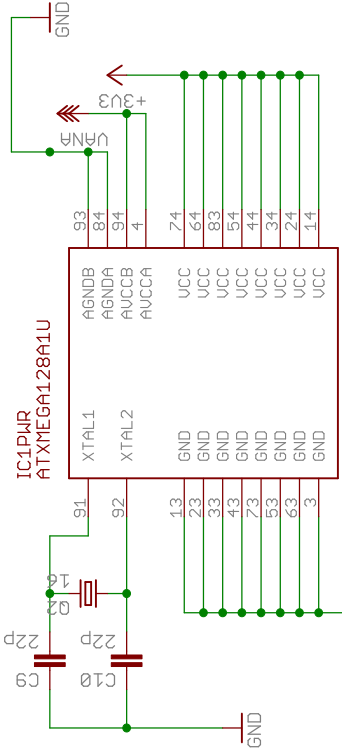
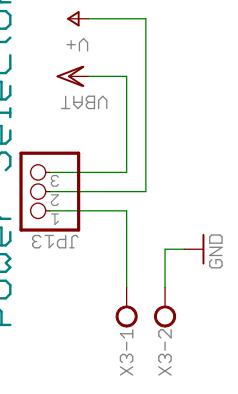
### Switching Regulator



### microSD

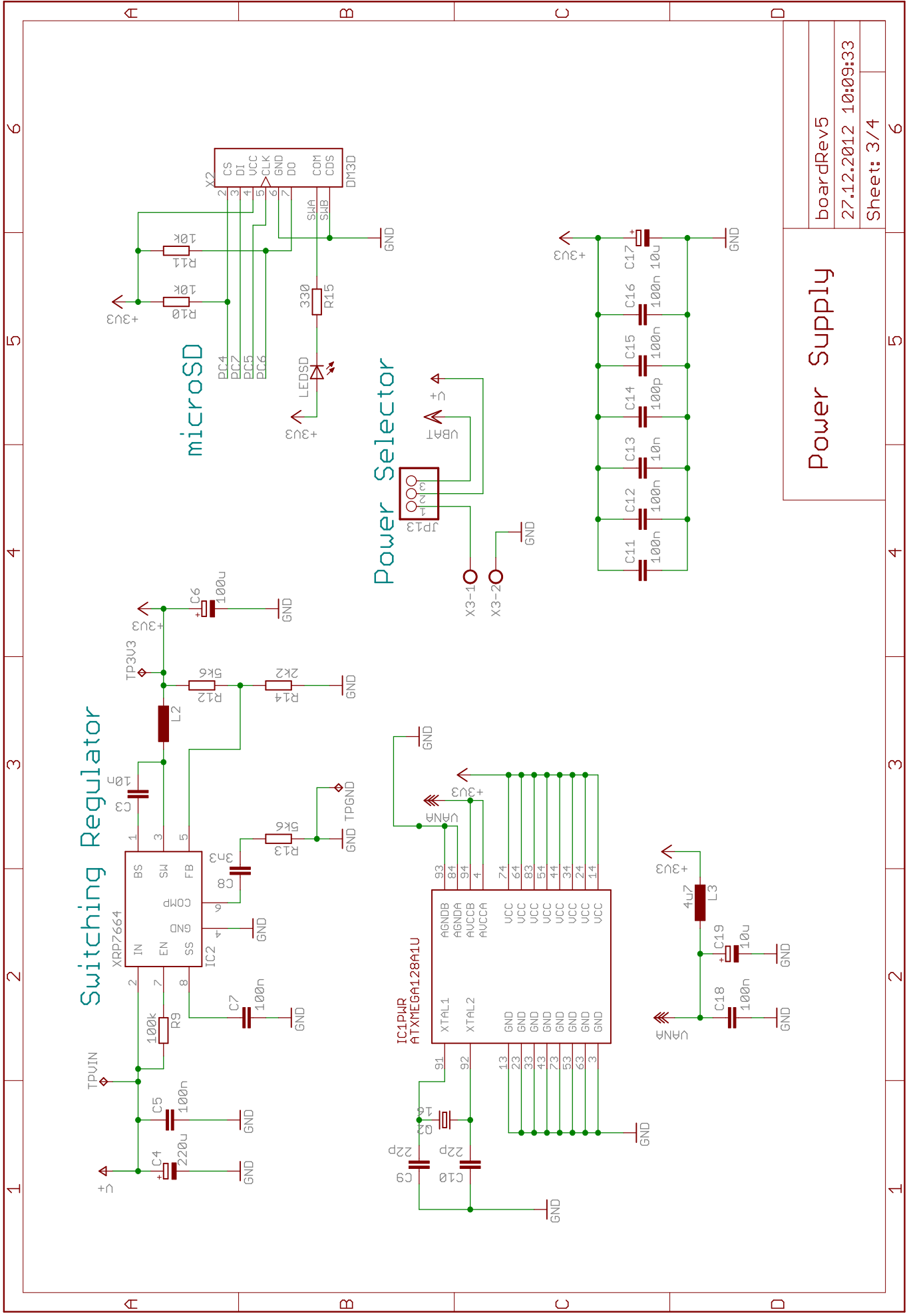


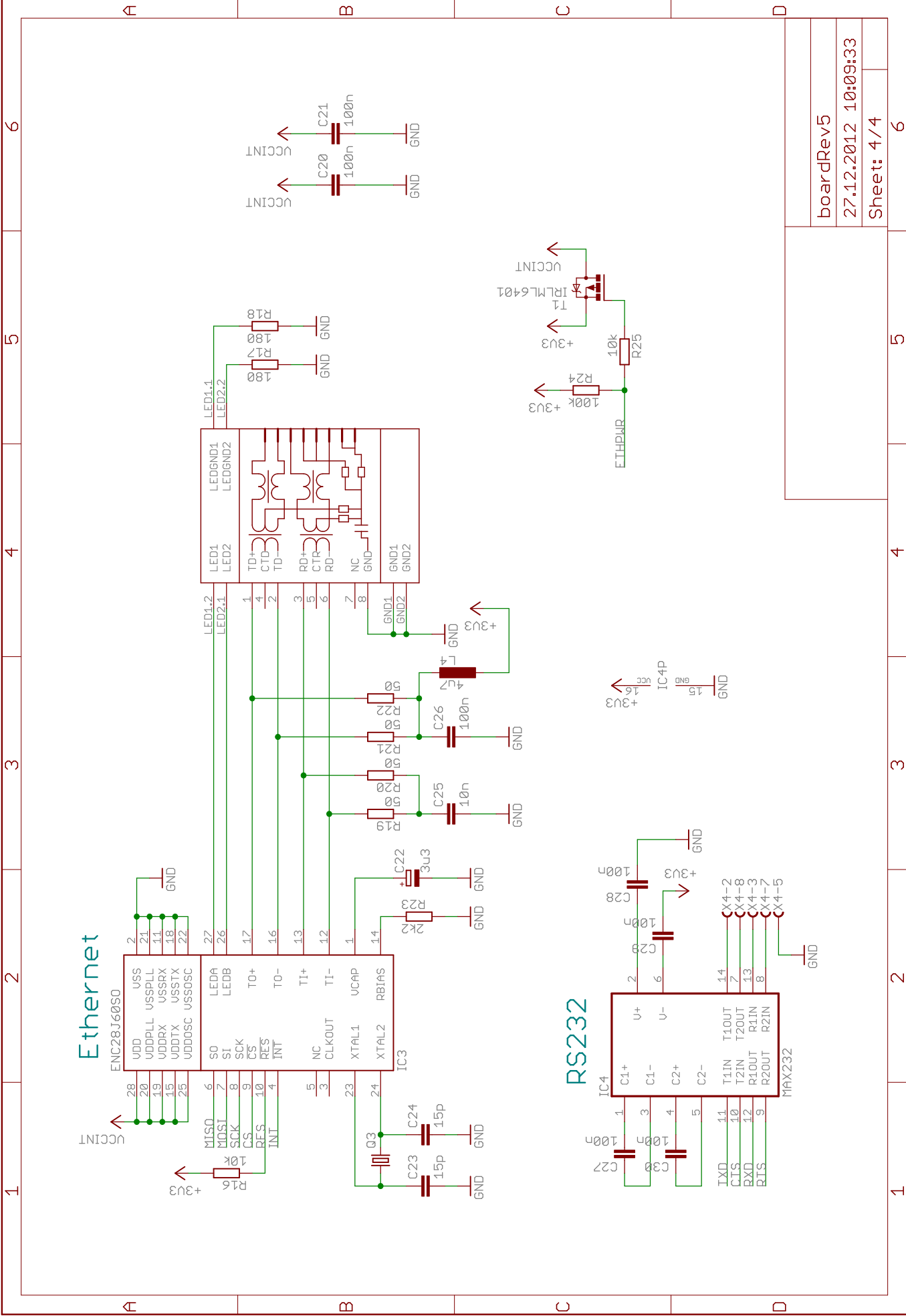
### Power Selector



### Power Supply

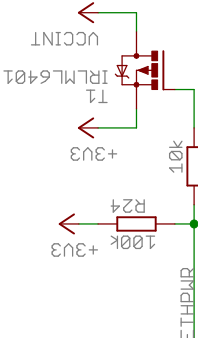
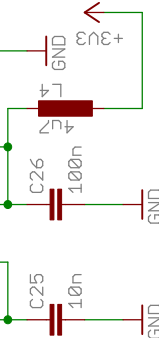
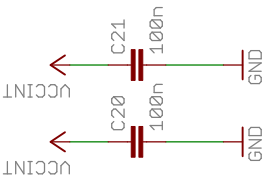
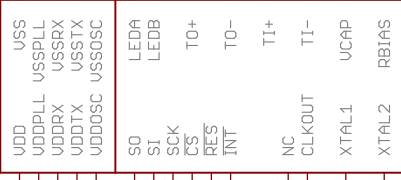
boardRev5
27.12.2012 10:09:33
Sheet: 3/4



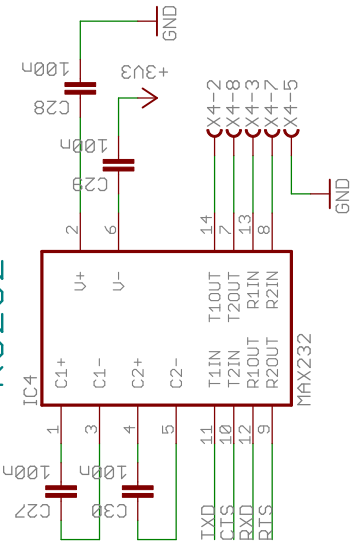
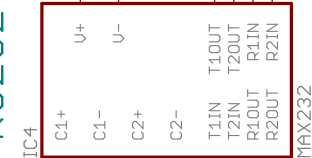


# Ethernet

ENC28J60SO



# RS232



boardRev5

27.12.2012 10:09:33

Sheet: 4/4