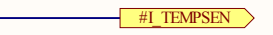
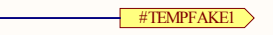
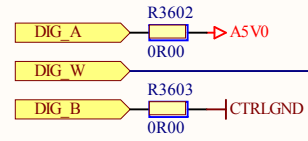
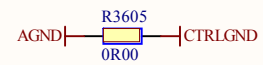
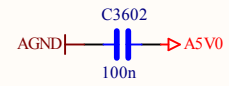
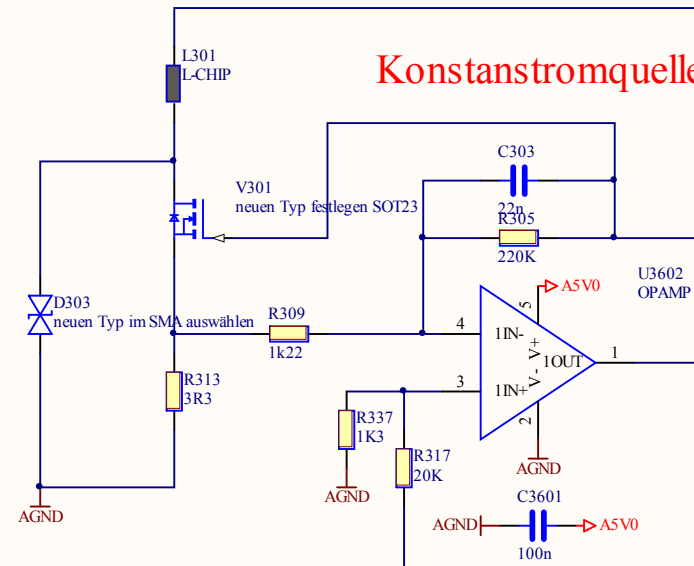


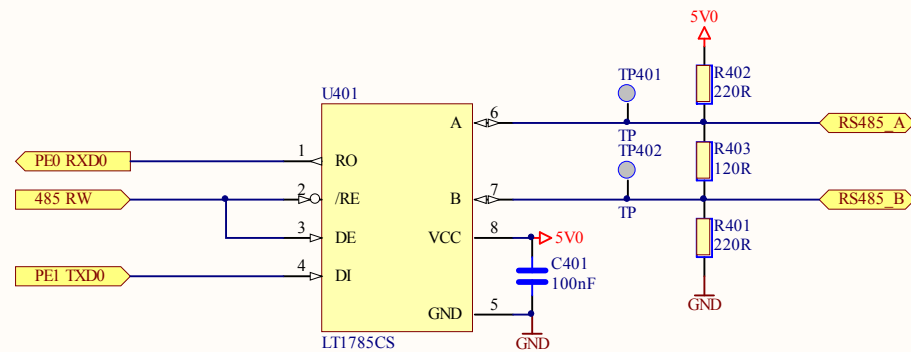
Title 01-UC-ATMEL2.SchDoc		
Size A3	Number 1	Revision
Date: 09.11.2008	Sheet of	
File: G:\Design\...01-UC-ATMEL2.SchDoc	Drawn By:	



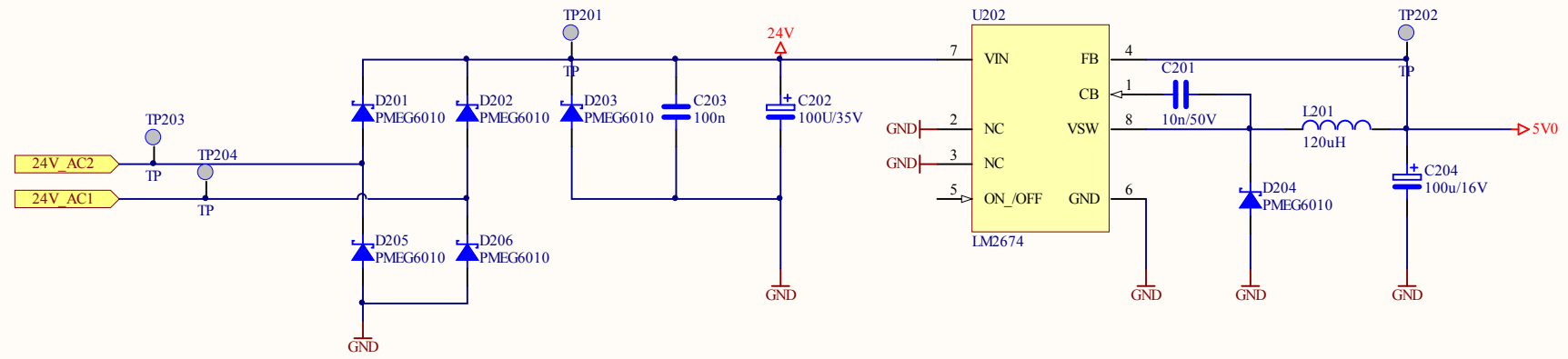
Konstantstromquelle



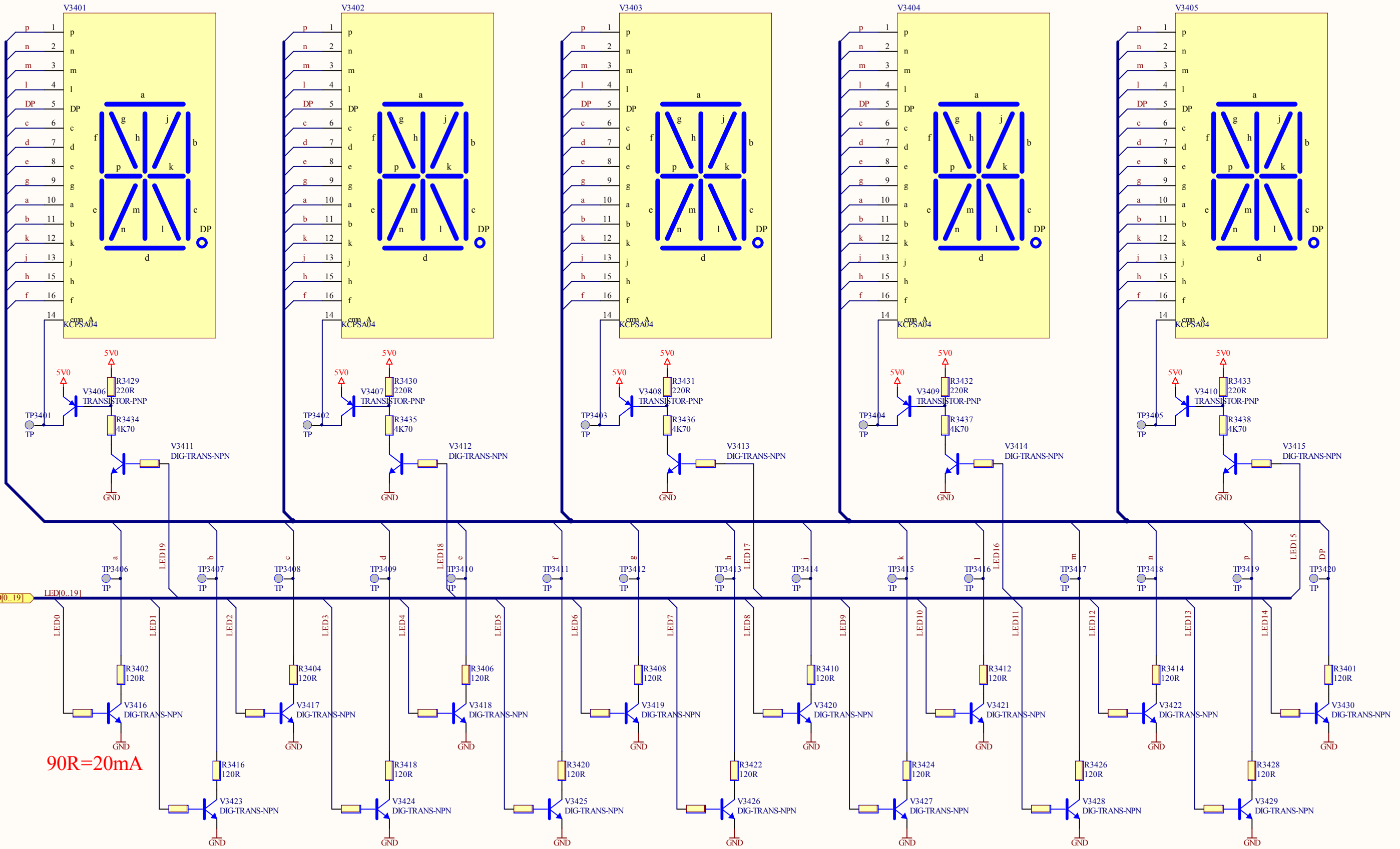
Title		
Size A3	Number	Revision
Date: 09.11.2008	Sheet of	
File: G:\Design\136-DRIVE_SENS.SchDoc	Drawn By:	



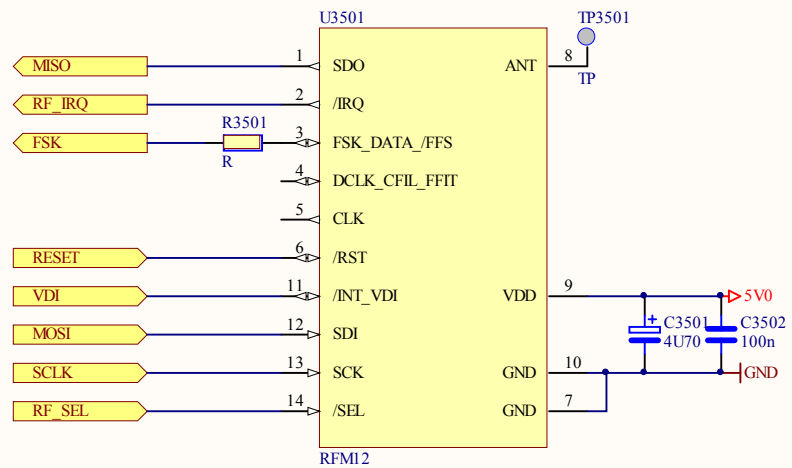
Title		
04-RS485.SchDoc		
Size	Number	Revision
A4	4	*
Date:	09.11.2008	Sheet 4 of 23
File:	G:\Design\...04-RS485.SchDoc	Drawn By:



Title		
Size	Number	Revision
A4		
Date:	09.11.2008	Sheet of
File:	G:\Design\...\02-Power.SchDoc	Drawn By:



Title		
Size	Number	Revision
A3		
Date:	09.11.2008	Sheet of
File:	G:\Design\134-LED-Anzeige.SchDoc	Drawn By:

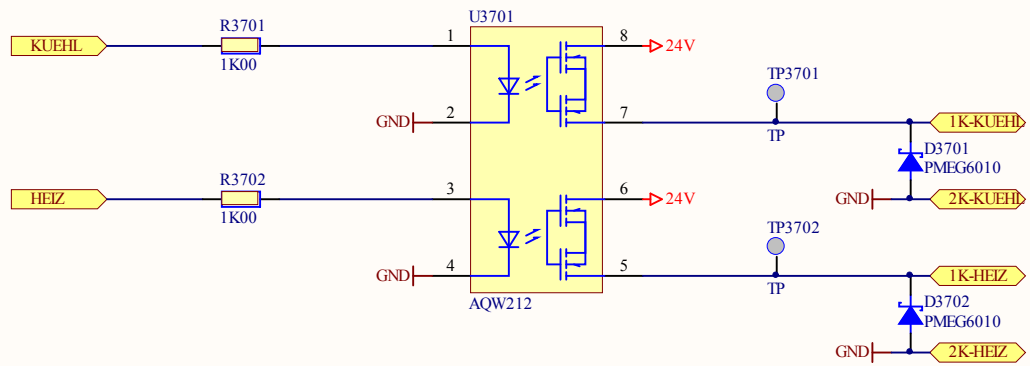


Title		
Size A4	Number	Revision
Date: 09.11.2008	Sheet of	
File: G:\Design\...35-RE.SchDoc	Drawn By:	

5V0 → 5V0

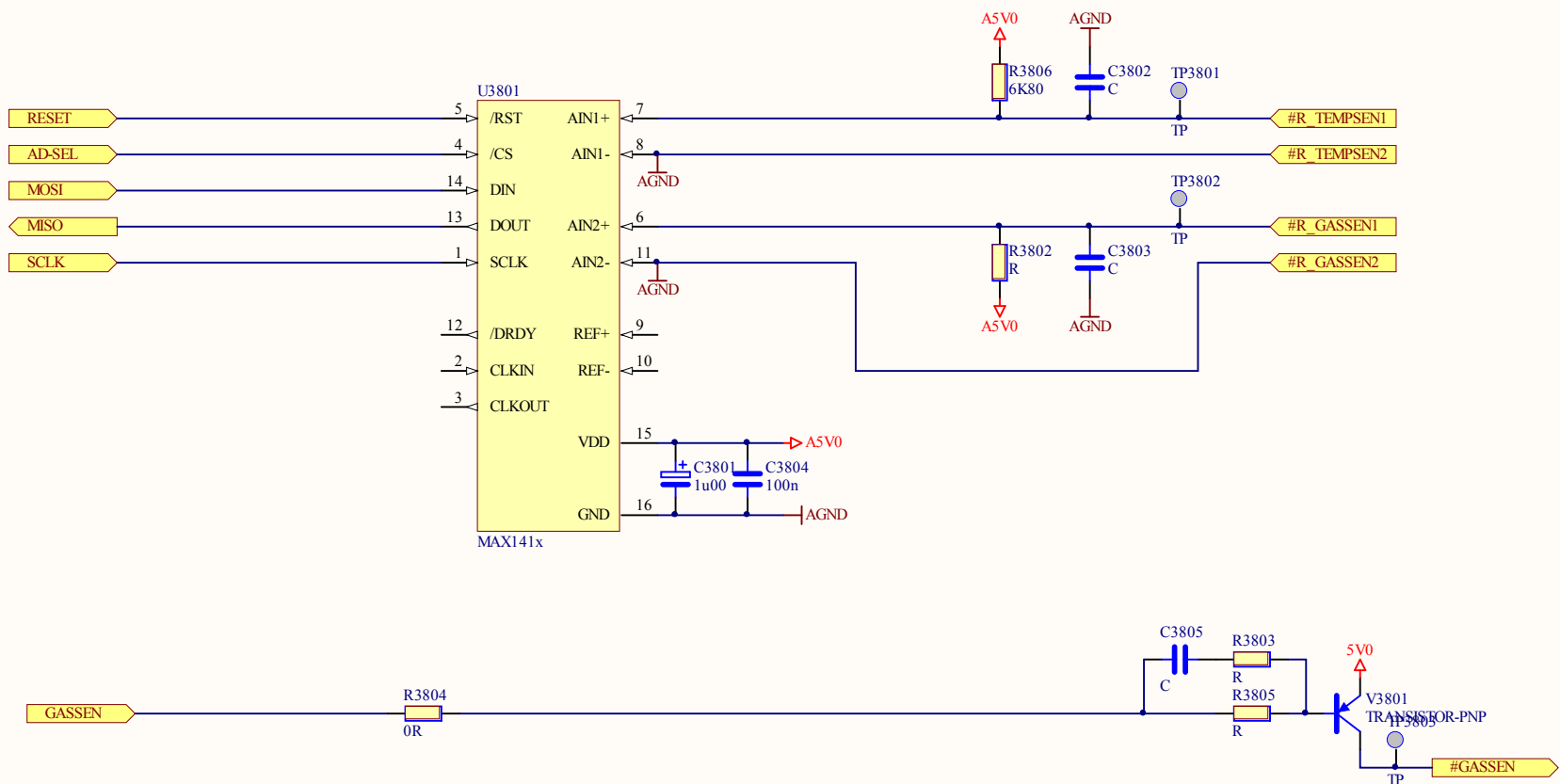
GND → GND

24V → 24V



Title		
Size	Number	Revision
A4		
Date:	09.11.2008	Sheet of
File:	G:\Design\...37-RELAIS.SchDoc	Drawn By:

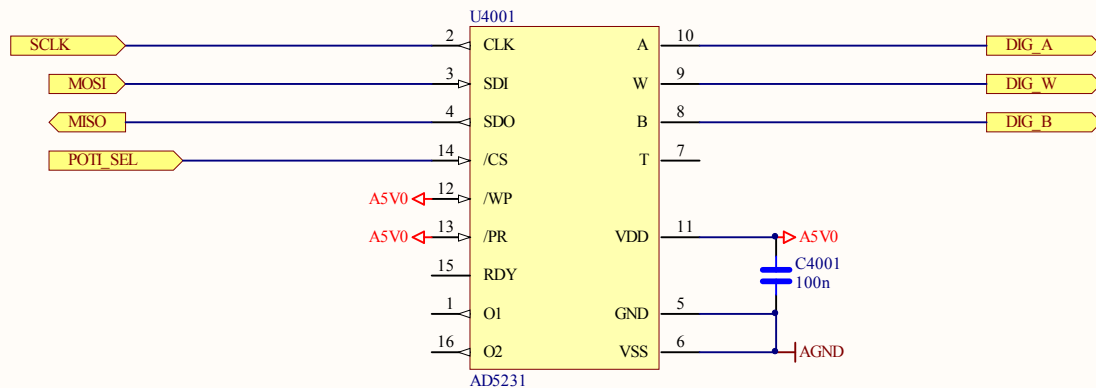
- A5V0 → A5V0
- AGND → AGND
- 5V0 → 5V0
- GND → GND



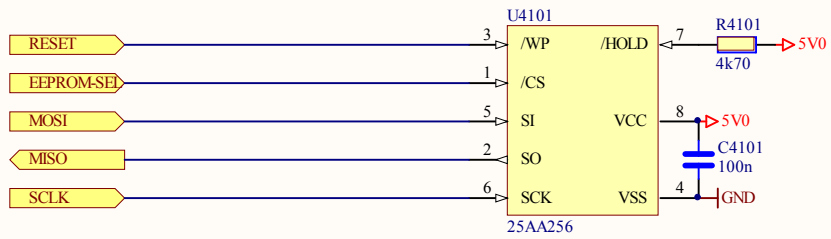
Title		
Size	Number	Revision
A4		
Date:	09.11.2008	Sheet of
File:	G:\Design\...38-SENSOR.SchDoc	Drawn By:



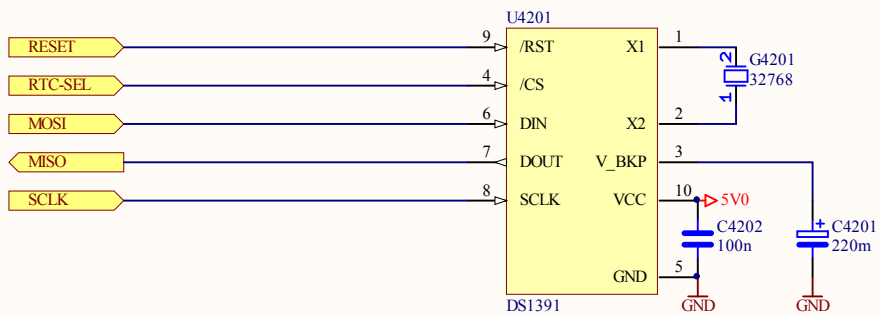
evtl doch auf AD5231 lassen



Title		
Size	Number	Revision
A4		
Date:	09.11.2008	Sheet of
File:	G:\Design\...40-DIGIPOT.SchDoc	Drawn By:



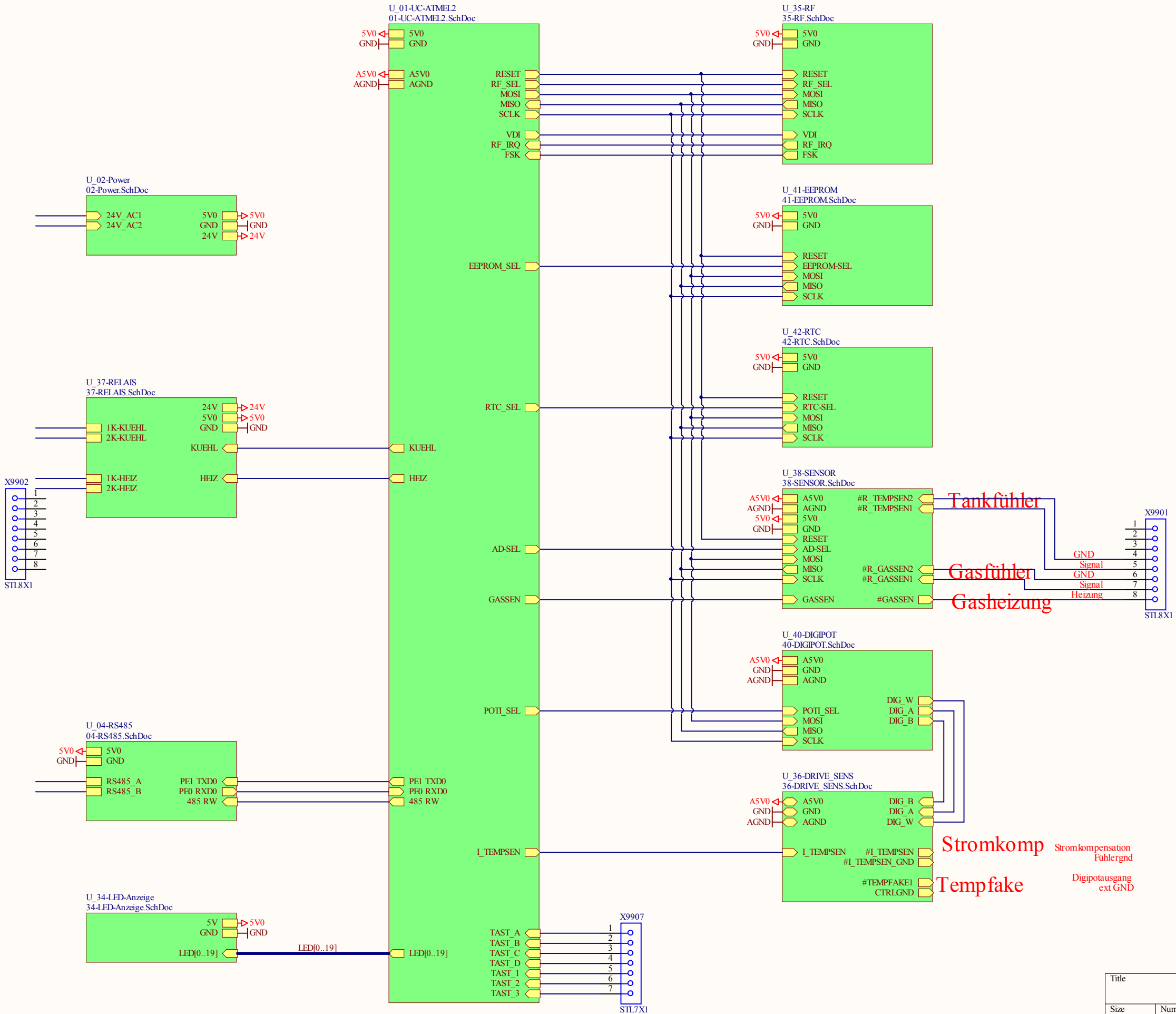
Title		
Size A4	Number	Revision
Date: 09.11.2008	Sheet of	
File: G:\Design\...41-EEPROM.SchDoc	Drawn By:	



Title		
Size A4	Number	Revision
Date: 09.11.2008	Sheet of	
File: G:\Design\...42-RTC.SchDoc	Drawn By:	

evtl hier auch 9pol

9pol Klemmenleiste verwenden



Title		
Size	Number	Revision
A3		
Date:	09.11.2008	Sheet of
File:	G:\Design\199-FERMCON-PICCOLO.SchDoc	Drawn By:

Component	Description	Quantity	Part No.	Label	Quantity
8222F	RES	1	82-08P	8222F	1
M7	CT01	1	ETAJA	CP	1
100N	C102	1	R805	1	1
100NF	C104	1	R805	2	1
100N	C105	1	R805	2	1
12MF	C108	1	R805	2	1
12uF	C108	1	R805	2	1
100NF	C101	1	R805	1	1
100NF	C102	1	JAL-0807	CP	1
100N	C203	1	R805	2	1
100uNF	C204	1	JAL-0807	CP	1
22n	C303	1	R805	2	1
100uF	C401	1	R805	2	1
100N	C1001	1	ETAJA	CP	1
100N	C1002	1	R805	2	1
100N	C1001	1	R805	2	1
100N	C1002	1	R805	2	1
100N	C1003	1	R805	2	1
100N	C1004	1	R805	2	1
100N	C1005	1	R805	2	1
100N	C4001	1	R805	2	1
100N	C4101	1	R805	2	1
220N	C4201	1	MAN-EICF	MMVxx	1
100N	C4202	1	R805	2	1
PMEG6010	2011	1	SDH22F	3XDE-SO-8TTRKY	1
PMEG6010	2002	1	SDH22F	3XDE-SO-8TTRKY	1
PMEG6010	2003	1	SDH22F	3XDE-SO-8TTRKY	1
PMEG6010	2004	1	SDH22F	3XDE-SO-8TTRKY	1
PMEG6010	2005	1	SDH22F	3XDE-SO-8TTRKY	1
PMEG6010	2006	1	SDH22F	3XDE-SO-8TTRKY	1
PMEG6010	2003	1	SMA	3XDE-T8A8BL	1
PMEG6010	20701	1	SDH22F	3XDE-SO-8TTRKY	1
PMEG6010	20702	1	SDH22F	3XDE-SO-8TTRKY	1
0708	CA201	1	70A10	QUARTZ10	1
10uF	L101	1	L102N	inductor	1
120uH	L201	1	ME-FDS	inductor	1
C-CHIP	L301	1	R805	C-CHIP	1
M7	R101	1	R805	1	1
M7	R102	1	R805	1	1
M7	R104	1	R805	1	1
10k	R105	1	R805	1	1
1k	R106	1	R805	1	1
1.5k	R107	1	R805	1	1
1k	R109	1	R805	1	1
10k	R108	1	R805	1	1
1k22	R409	1	R805	1	1
10k	R313	1	R1206	1	1
10k	R317	1	R805	1	1
1k3	R337	1	R805	1	1
100R	R401	1	R1206	1	1
100R	R402	1	R1206	1	1
120R	R403	1	R1206	1	1
120R	R401	1	R805	1	1
120R	R402	1	R805	1	1
120R	R404	1	R805	1	1
120R	R405	1	R805	1	1
120R	R408	1	R805	1	1
120R	R411	1	R805	1	1
120R	R412	1	R805	1	1
120R	R414	1	R805	1	1
120R	R416	1	R805	1	1
120R	R418	1	R805	1	1
120R	R420	1	R805	1	1
120R	R422	1	R805	1	1
120R	R424	1	R805	1	1
120R	R426	1	R805	1	1
220R	R429	1	R805	1	1
220R	R430	1	R805	1	1
220R	R431	1	R805	1	1
220R	R432	1	R805	1	1
220R	R433	1	R805	1	1
MK70	R434	1	R805	1	1
MK70	R435	1	R805	1	1
MK70	R436	1	R805	1	1
MK70	R437	1	R805	1	1
MK70	R438	1	R805	1	1
R	R439	1	R805	1	1
R000	R4602	1	R805	1	1
R000	R4603	1	R805	1	1
R000	R4604	1	R805	1	1
R000	R4605	1	R805	1	1
R000	R4606	1	R805	1	1
1000	R3702	1	R805	1	1
1000	R3802	1	R805	1	1
R	R3803	1	R805	1	1
R	R3804	1	R805	1	1
R	R3805	1	R805	1	1
HK40	R3806	1	R805	1	1
MKV	R3901	1	R805	1	1
TP	TP101	1	FPAD-C10	TP	1
TP	TP102	1	FPAD-C10	TP	1
TP	TP103	1	FPAD-C10	TP	1
TP	TP104	1	FPAD-C10	TP	1
TP	TP105	1	FPAD-C10	TP	1
TP	TP106	1	FPAD-C10	TP	1
TP	TP107	1	FPAD-C10	TP	1
TP	TP108	1	FPAD-C10	TP	1
TP	TP109	1	FPAD-C10	TP	1
TP	TP110	1	FPAD-C10	TP	1
TP	TP111	1	FPAD-C10	TP	1
TP	TP112	1	FPAD-C10	TP	1
TP	TP113	1	FPAD-C10	TP	1
TP	TP114	1	FPAD-C10	TP	1
TP	TP115	1	FPAD-C10	TP	1
TP	TP116	1	FPAD-C10	TP	1
TP	TP117	1	FPAD-C10	TP	1
TP	TP118	1	FPAD-C10	TP	1
TP	TP119	1	FPAD-C10	TP	1
TP	TP120	1	FPAD-C10	TP	1
TP	TP121	1	FPAD-C10	TP	1
TP	TP122	1	FPAD-C10	TP	1
TP	TP123	1	FPAD-C10	TP	1
TP	TP124	1	FPAD-C10	TP	1
TP	TP125	1	FPAD-C10	TP	1
TP	TP126	1	FPAD-C10	TP	1
TP	TP127	1	FPAD-C10	TP	1
TP	TP128	1	FPAD-C10	TP	1
TP	TP129	1	FPAD-C10	TP	1
TP	TP130	1	FPAD-C10	TP	1
TP	TP131	1	FPAD-C10	TP	1
TP	TP132	1	FPAD-C10	TP	1
TP	TP133	1	FPAD-C10	TP	1
TP	TP134	1	FPAD-C10	TP	1
TP	TP135	1	FPAD-C10	TP	1
TP	TP136	1	FPAD-C10	TP	1
TP	TP137	1	FPAD-C10	TP	1
TP	TP138	1	FPAD-C10	TP	1
TP	TP139	1	FPAD-C10	TP	1
TP	TP140	1	FPAD-C10	TP	1
TP	TP141	1	FPAD-C10	TP	1
TP	TP142	1	FPAD-C10	TP	1
TP	TP143	1	FPAD-C10	TP	1
TP	TP144	1	FPAD-C10	TP	1
TP	TP145	1	FPAD-C10	TP	1
TP	TP146	1	FPAD-C10	TP	1
TP	TP147	1	FPAD-C10	TP	1
TP	TP148	1	FPAD-C10	TP	1
TP	TP149	1	FPAD-C10	TP	1
TP	TP150	1	FPAD-C10	TP	1
TP	TP151	1	FPAD-C10	TP	1
TP	TP152	1	FPAD-C10	TP	1
TP	TP153	1	FPAD-C10	TP	1
TP	TP154	1	FPAD-C10	TP	1
TP	TP155	1	FPAD-C10	TP	1
TP	TP156	1	FPAD-C10	TP	1
TP	TP157	1	FPAD-C10	TP	1