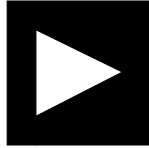
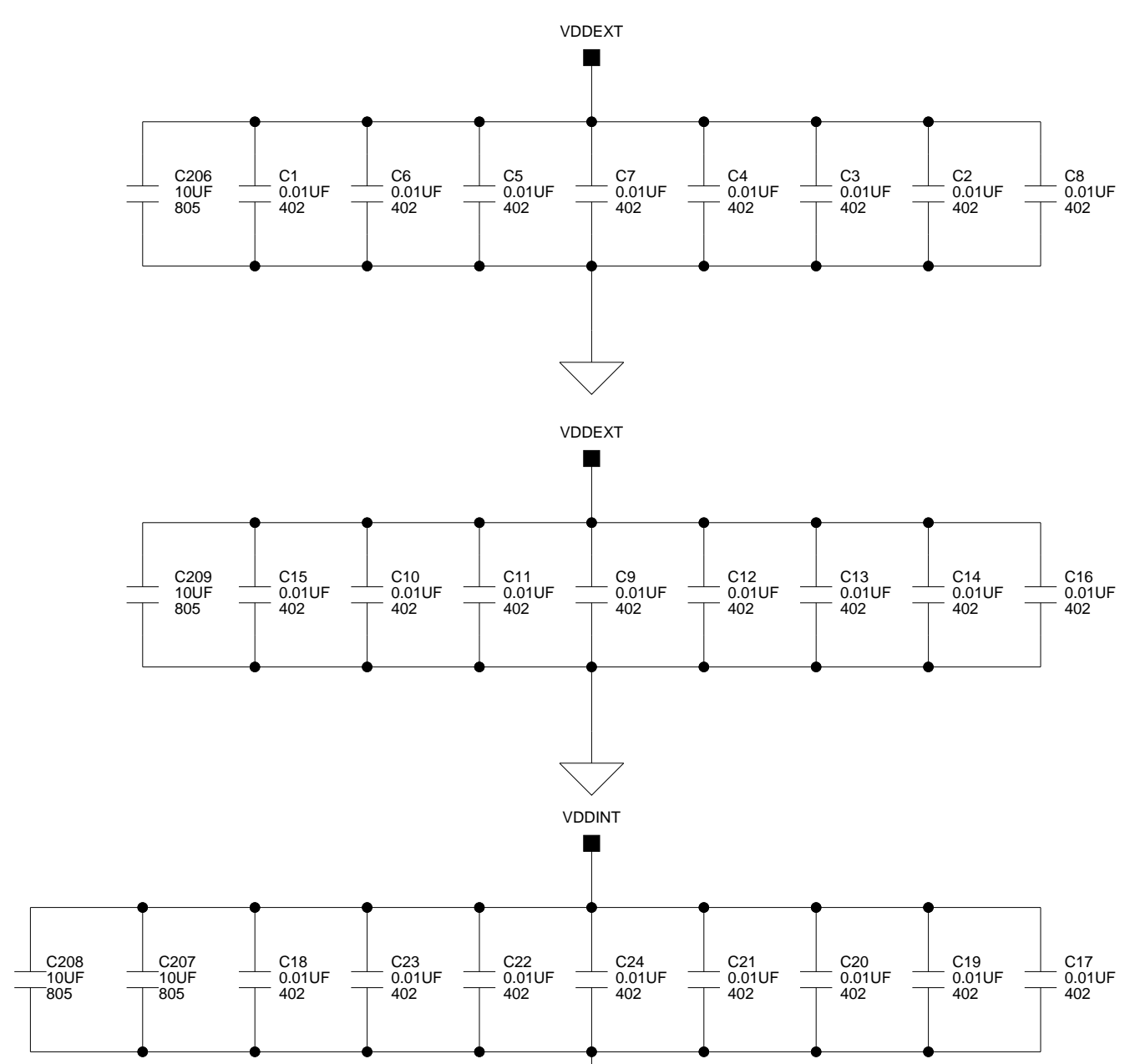
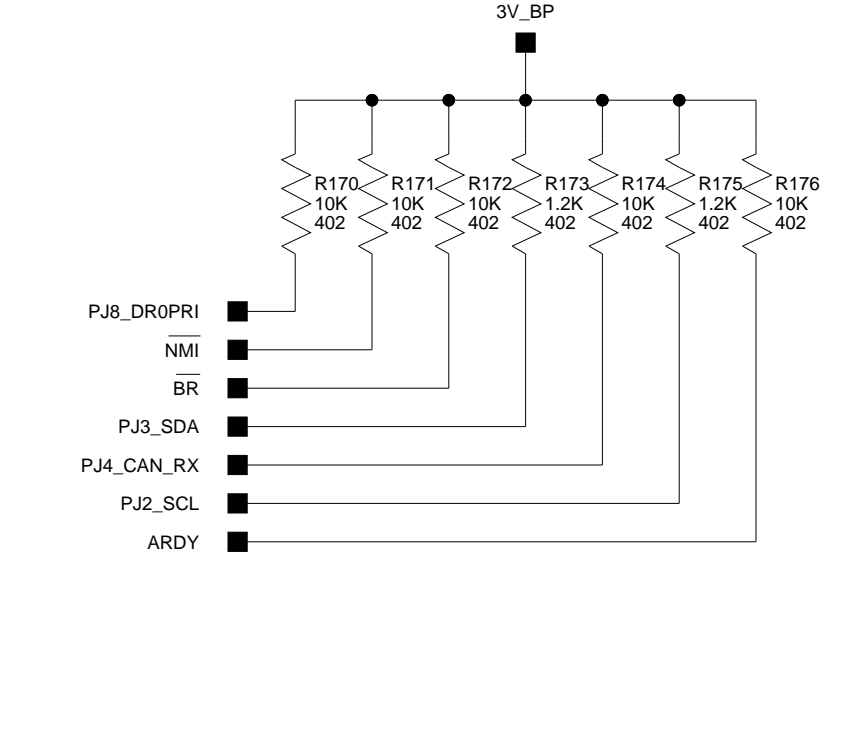
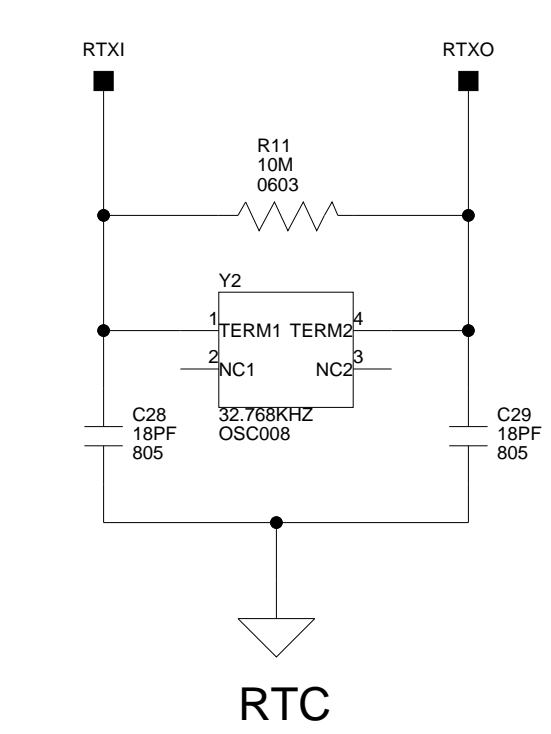
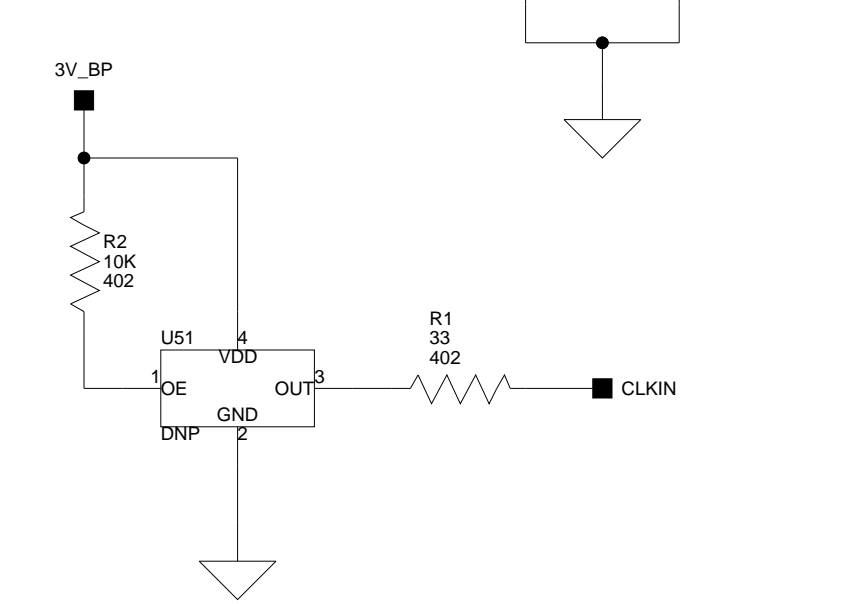
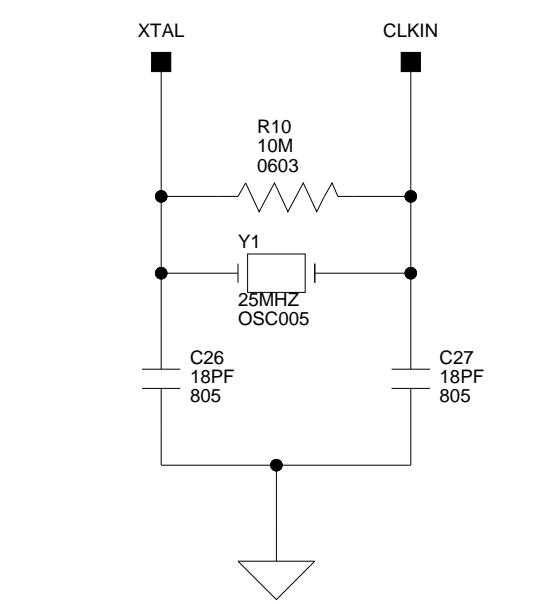
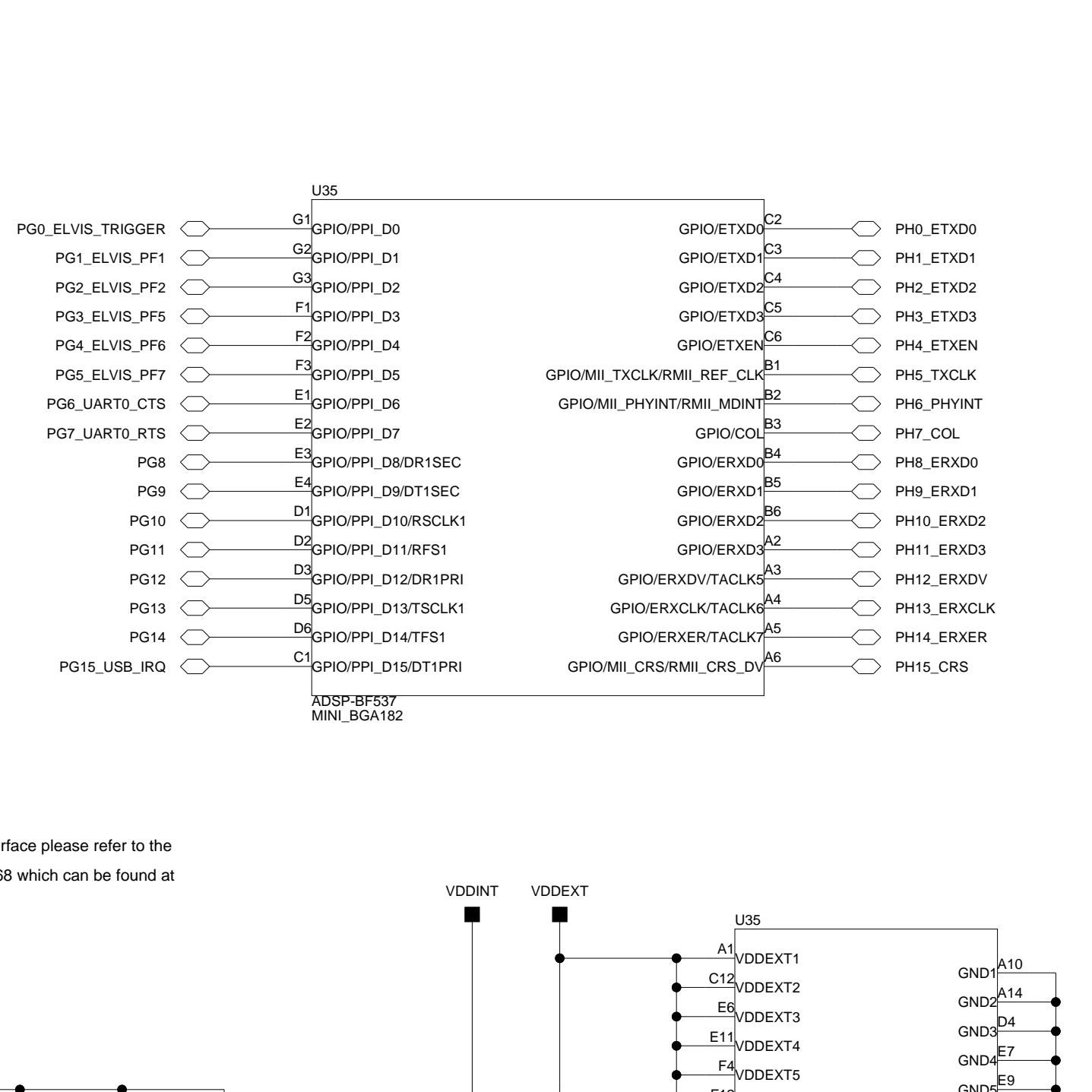
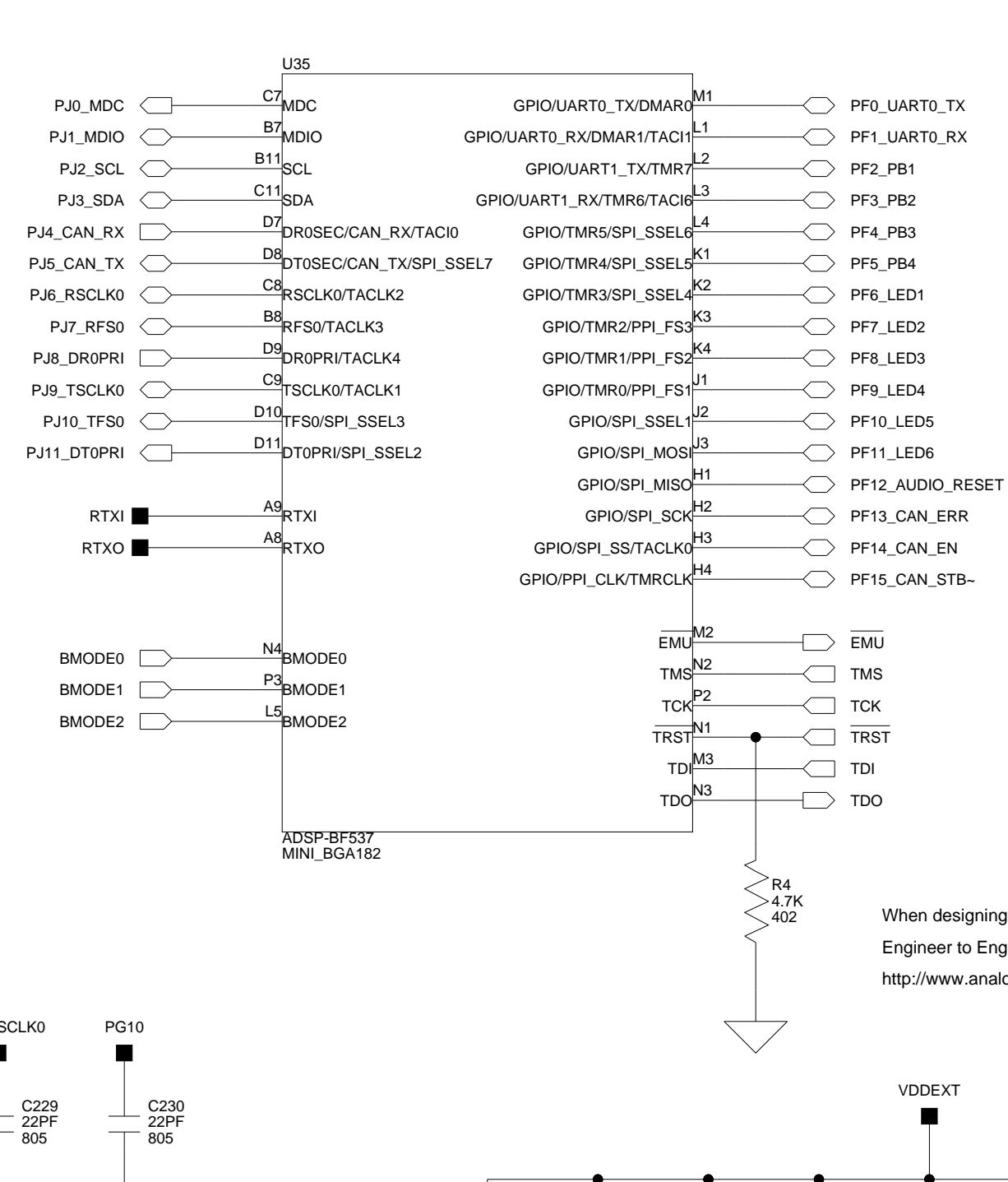
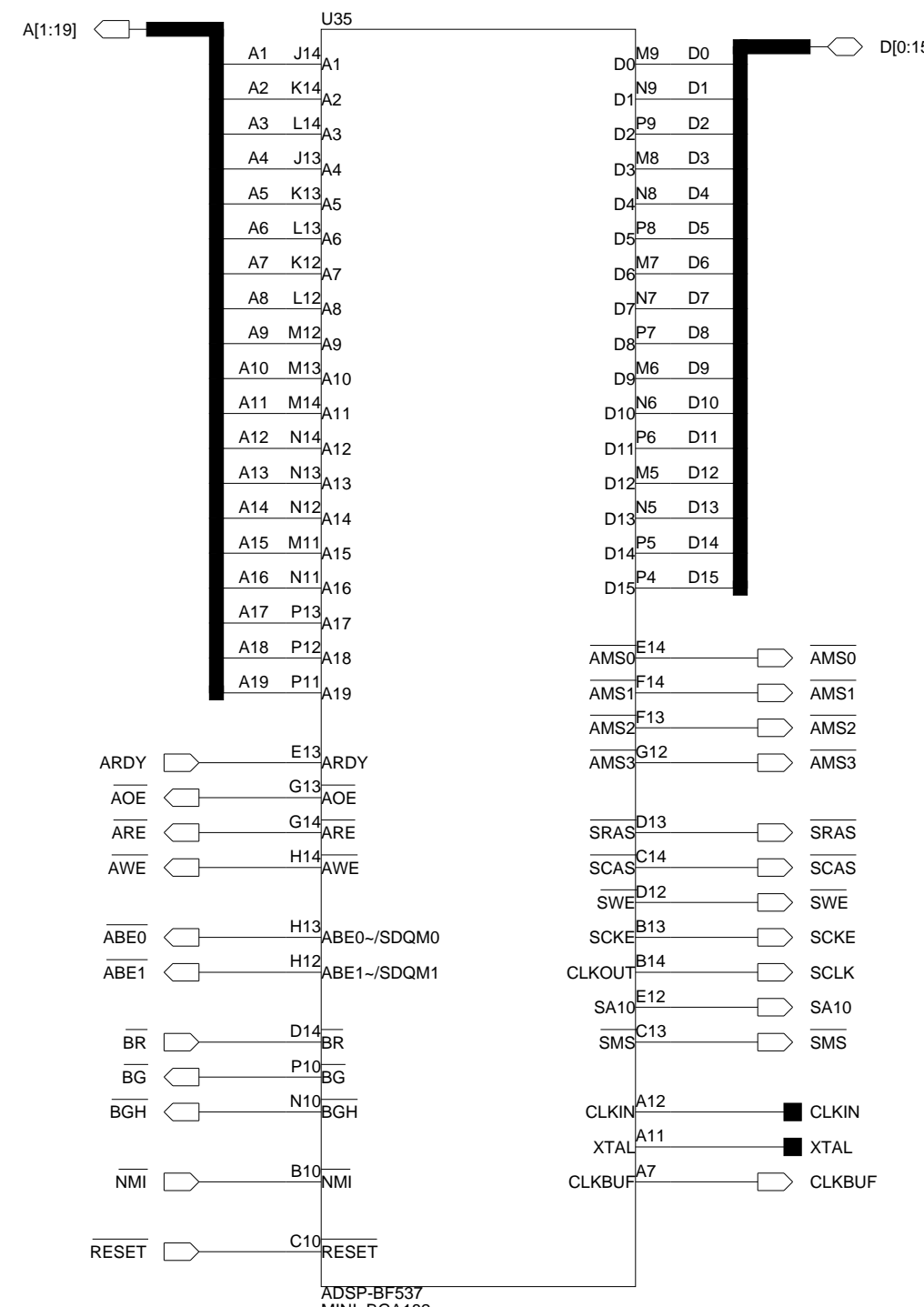
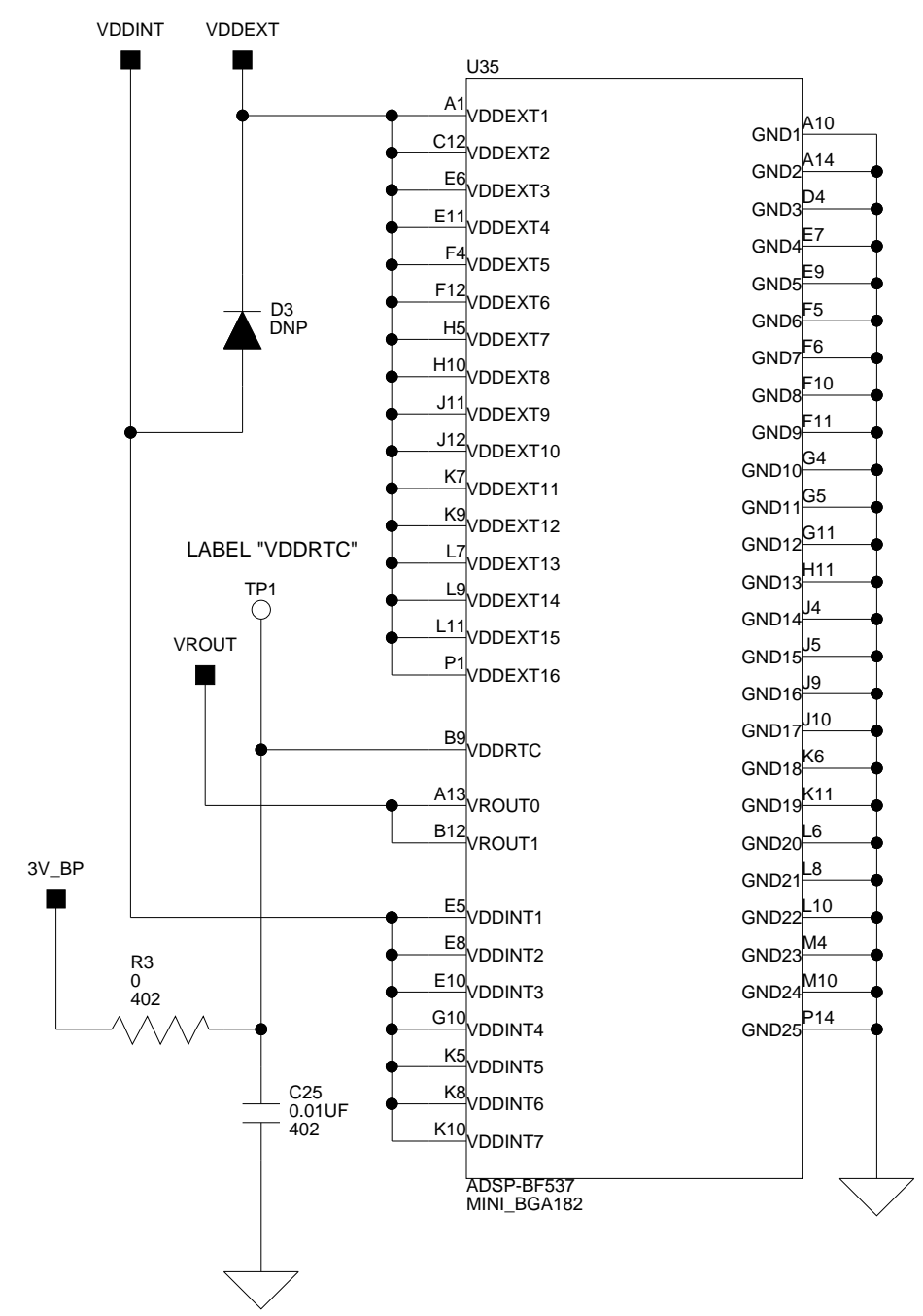


ADSP-BF537 EZ-KIT LITE SCHEMATIC

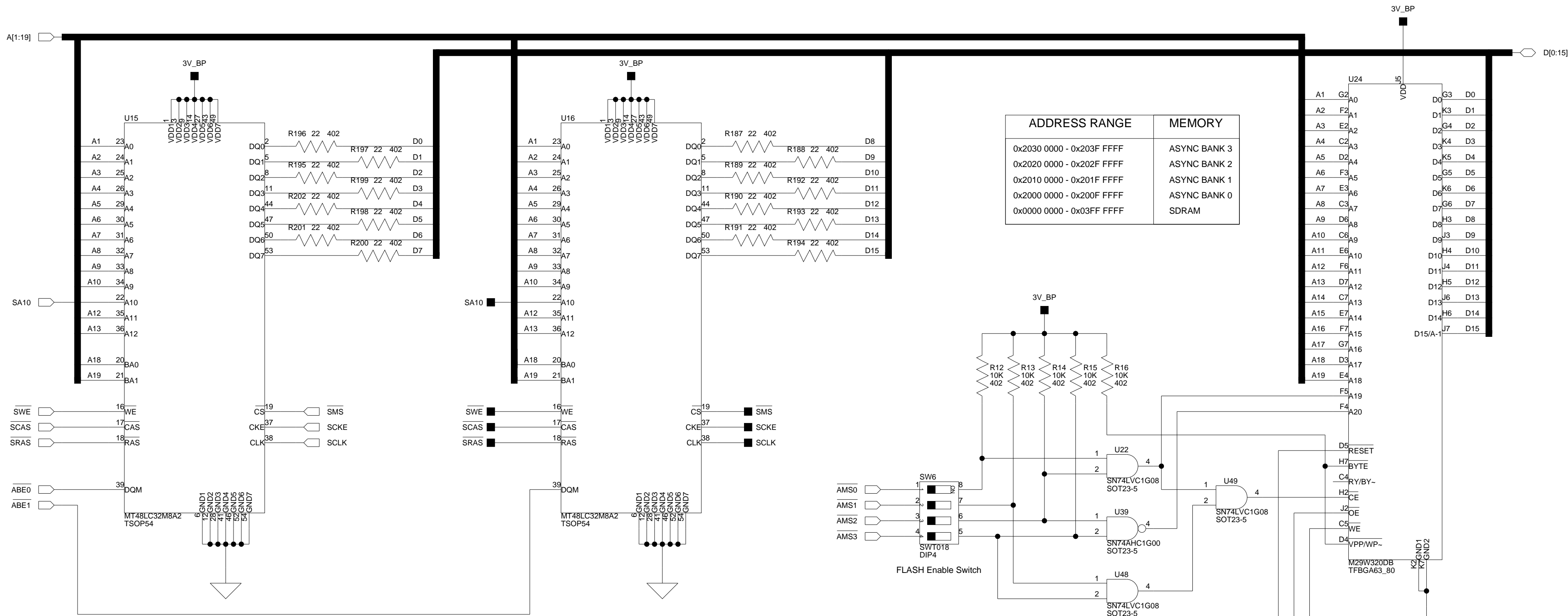
		ANALOG DEVICES	20 Cotton Road Nashua, NH 03063 PH: 1-800-ANALOGD
Title		ADSP-BF537 EZ-KIT LITE TITLE	
Size C	Board No.	A0188-2004	Rev 1.3
Date	7-22-2005_17:26	Sheet	1 of 11



When designing your JTAG interface please refer to the Engineer to Engineer Note EE-68 which can be found at <http://www.analog.com>



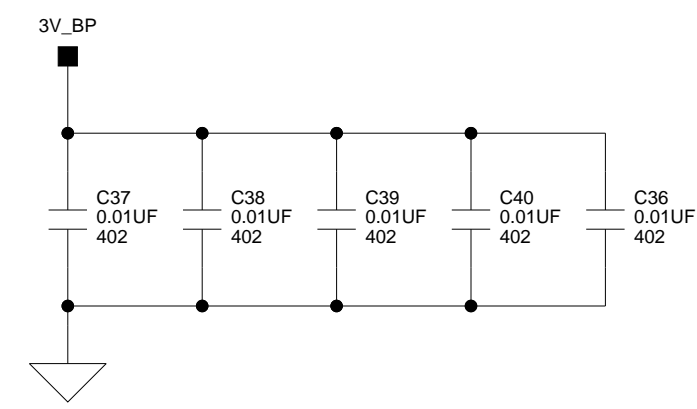
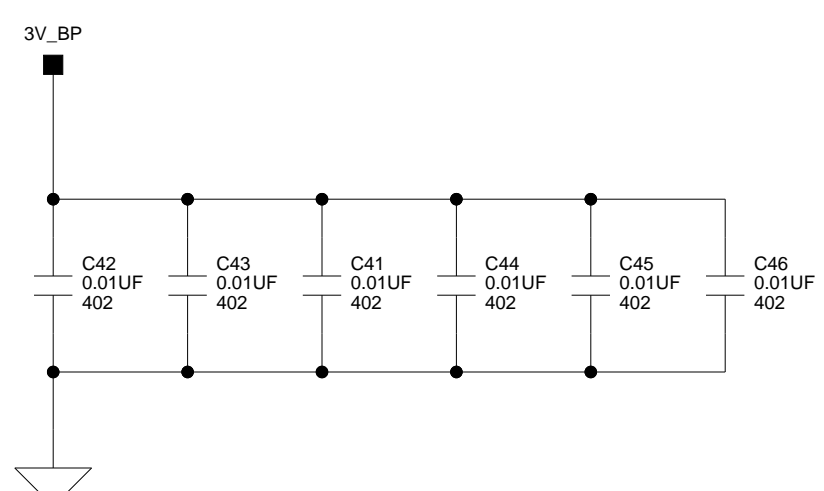
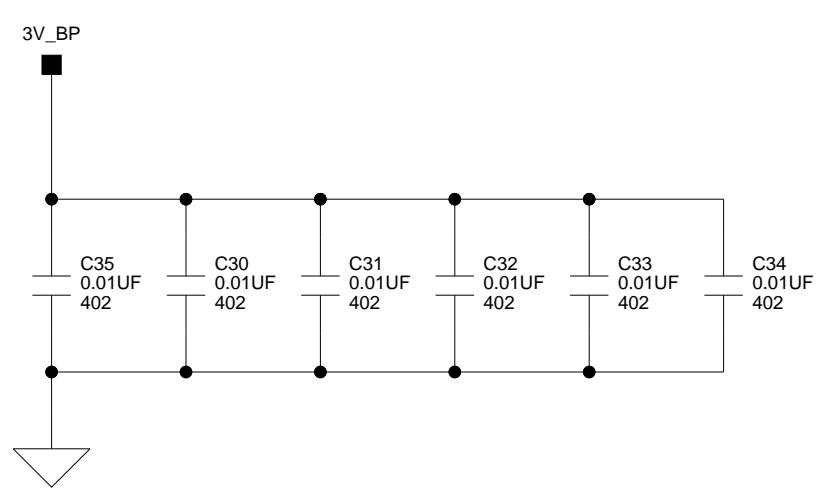
		20 Cotton Road Nashua, NH 03063 PH: 1-800-ANALOGD	
Title ADSP-BF537 EZ-KIT LITE DSP			
Size C	Board No. A0188-2004	Rev 1.3	
Date 7-22-2005_17:26	Sheet 2 of		11



ADDRESS RANGE	MEMORY
0x2030 0000 - 0x203F FFFF	ASYNC BANK 3
0x2020 0000 - 0x202F FFFF	ASYNC BANK 2
0x2010 0000 - 0x201F FFFF	ASYNC BANK 1
0x2000 0000 - 0x200F FFFF	ASYNC BANK 0
0x0000 0000 - 0x03FF FFFF	SDRAM

64 MB SDRAM
(8M x 8 x 4 banks) x 2 chips

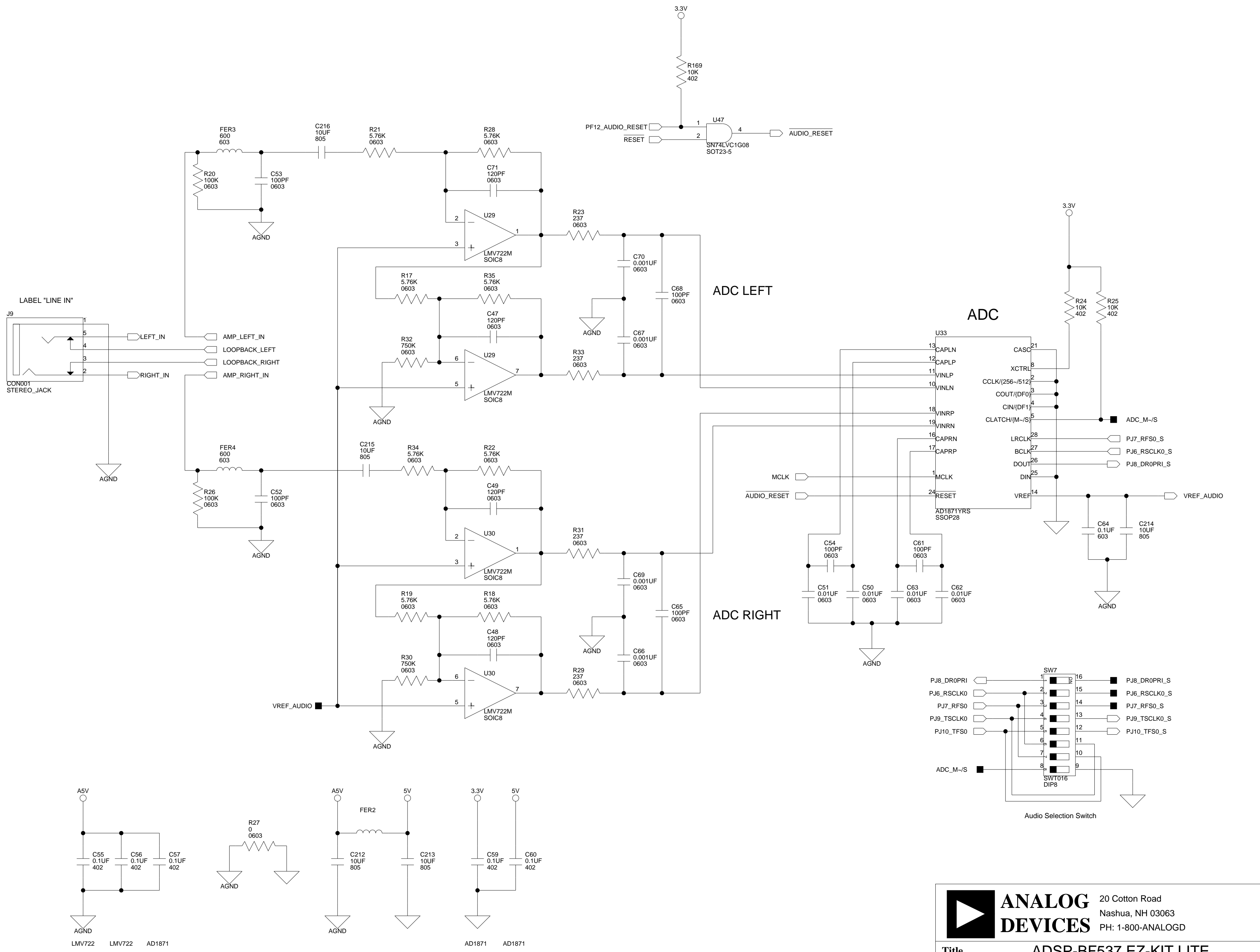
4 MB FLASH
(2M x 16)

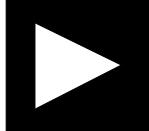


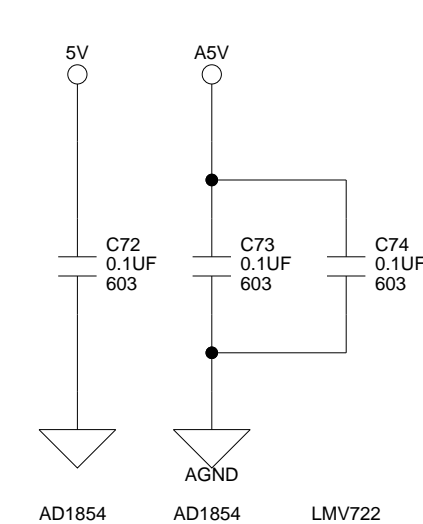
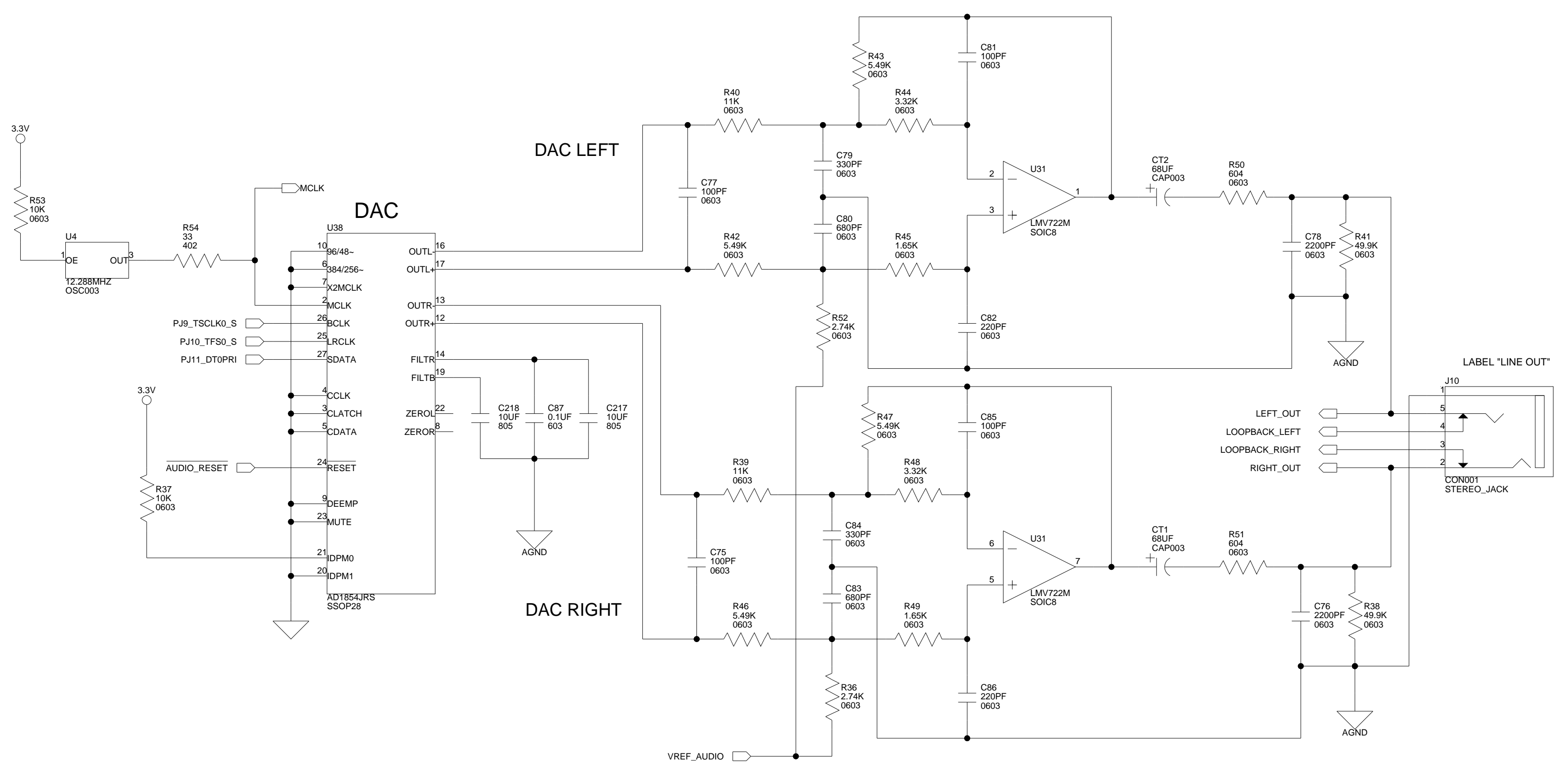
ANALOG DEVICES

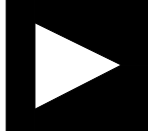
20 Cotton Road
Nashua, NH 03063
PH: 1-800-ANALOGD

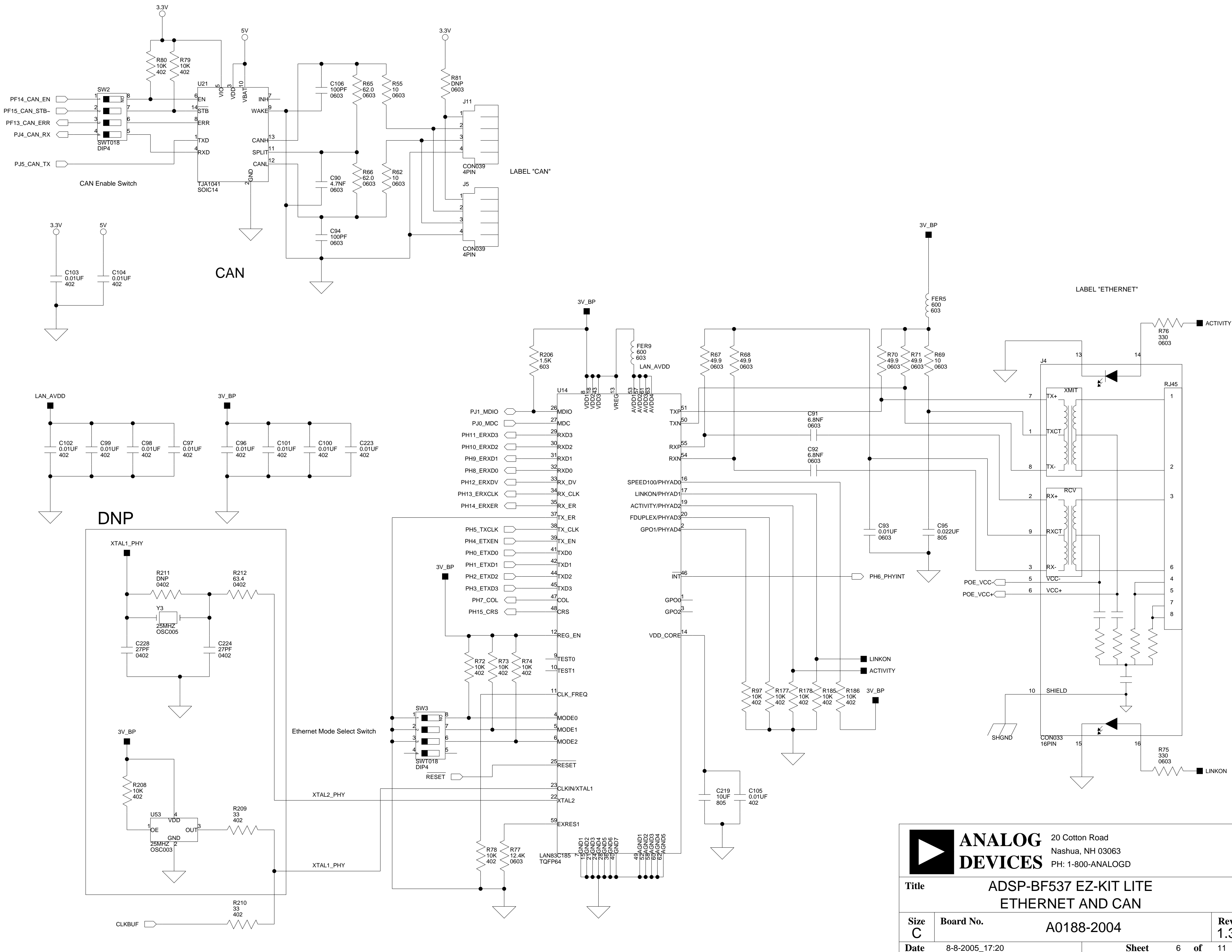
Title		ADSP-BF537 EZ-KIT LITE SDRAM AND FLASH	
Size C	Board No.	A0188-2004	
Date	7-22-2005_17:26	Sheet	3 of 11

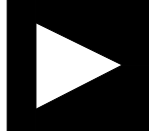


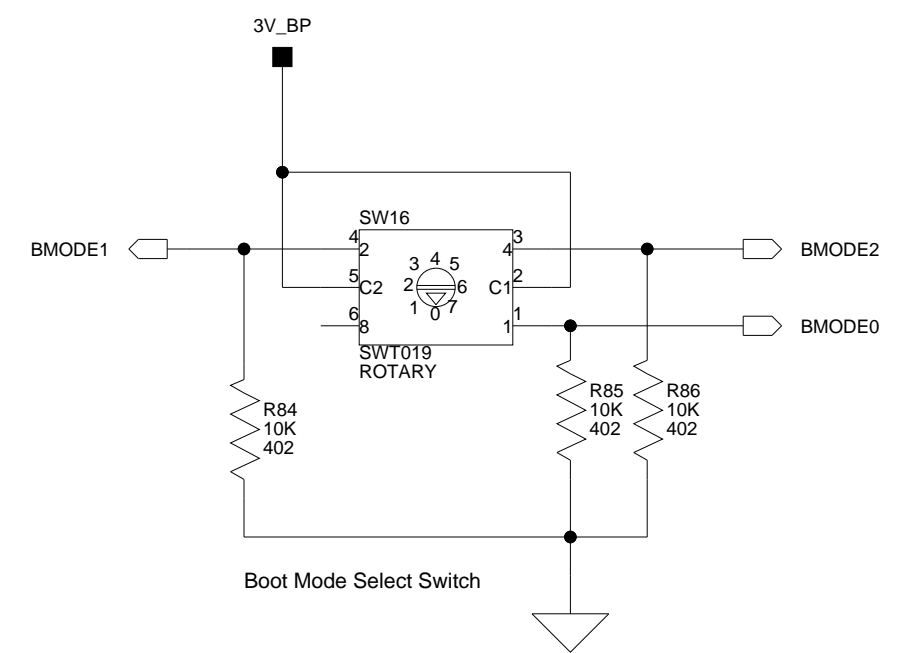
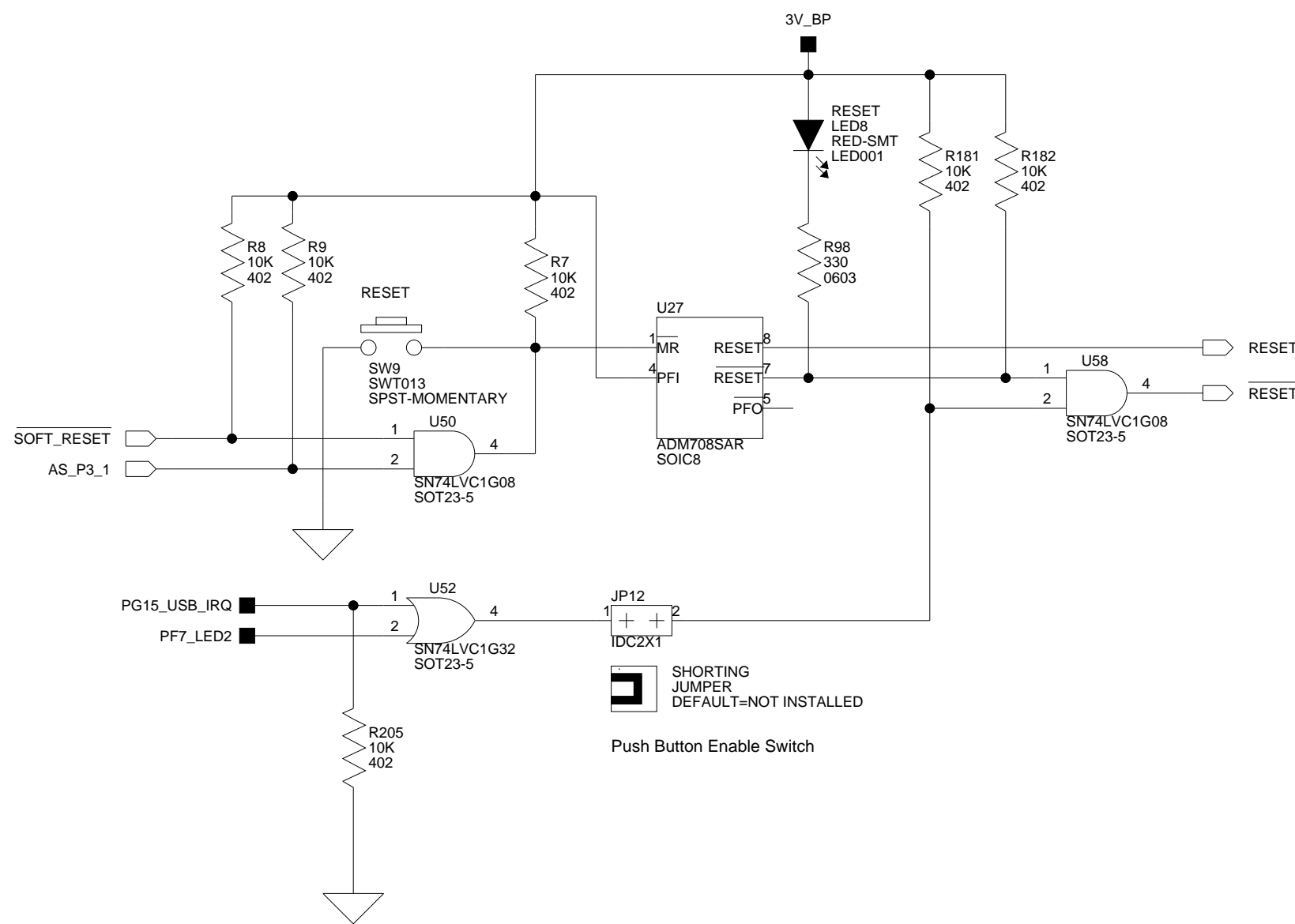
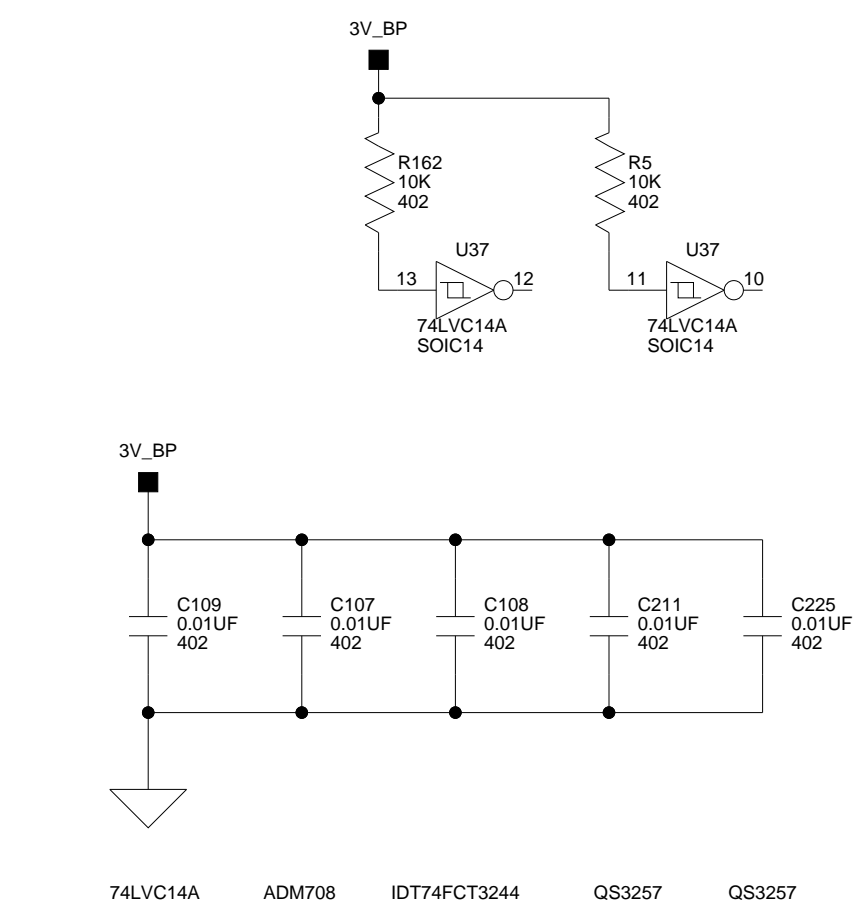
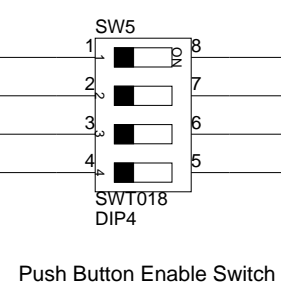
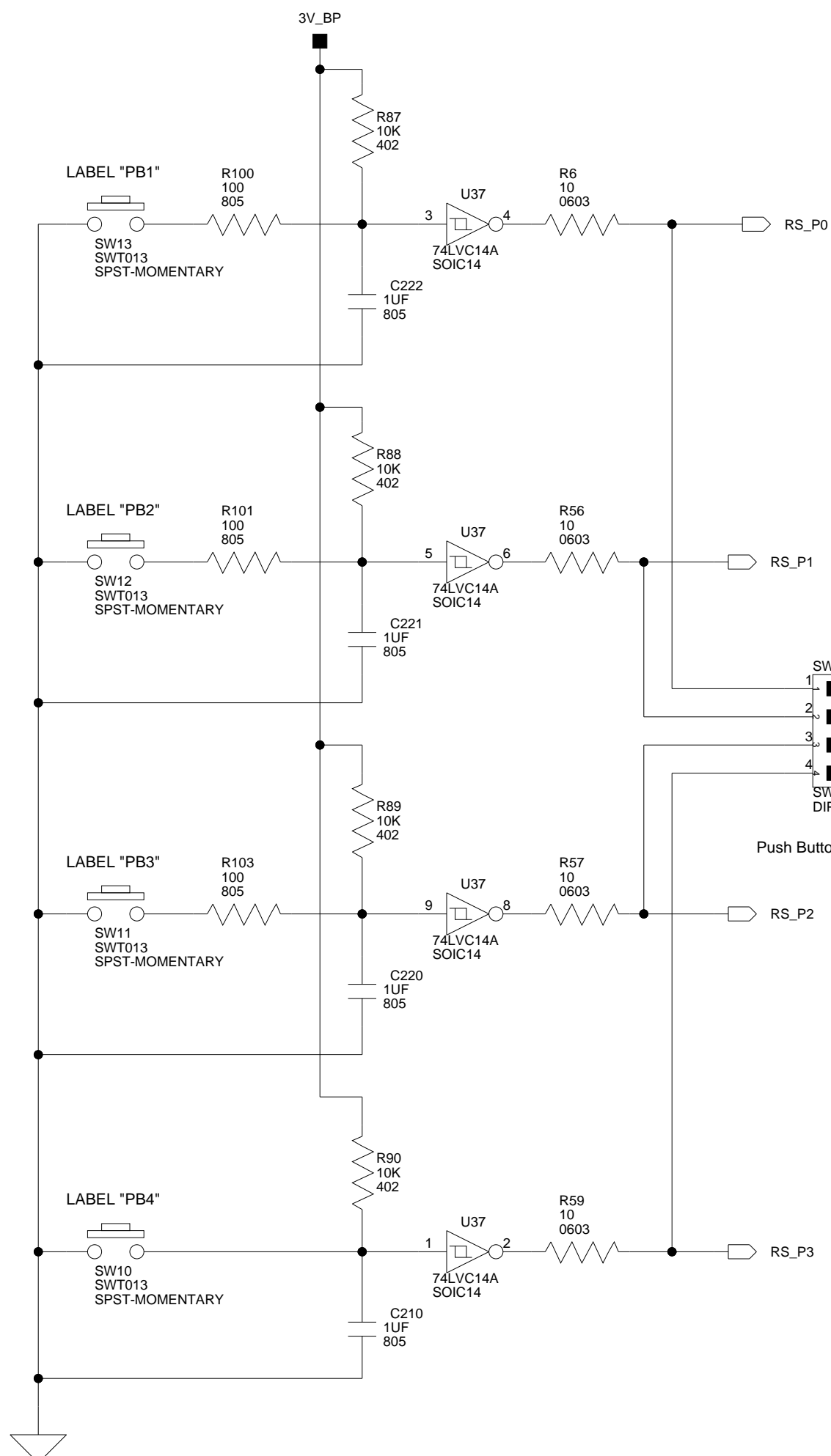
 ANALOG DEVICES		20 Cotton Road Nashua, NH 03063 PH: 1-800-ANALOGD	
		Title ADSP-BF537 EZ-KIT LITE ADC AND AUDIO IN	
Size C	Board No. A0188-2004	Rev 1.3	
Date 7-22-2005_17:26	Sheet 4 of 11		



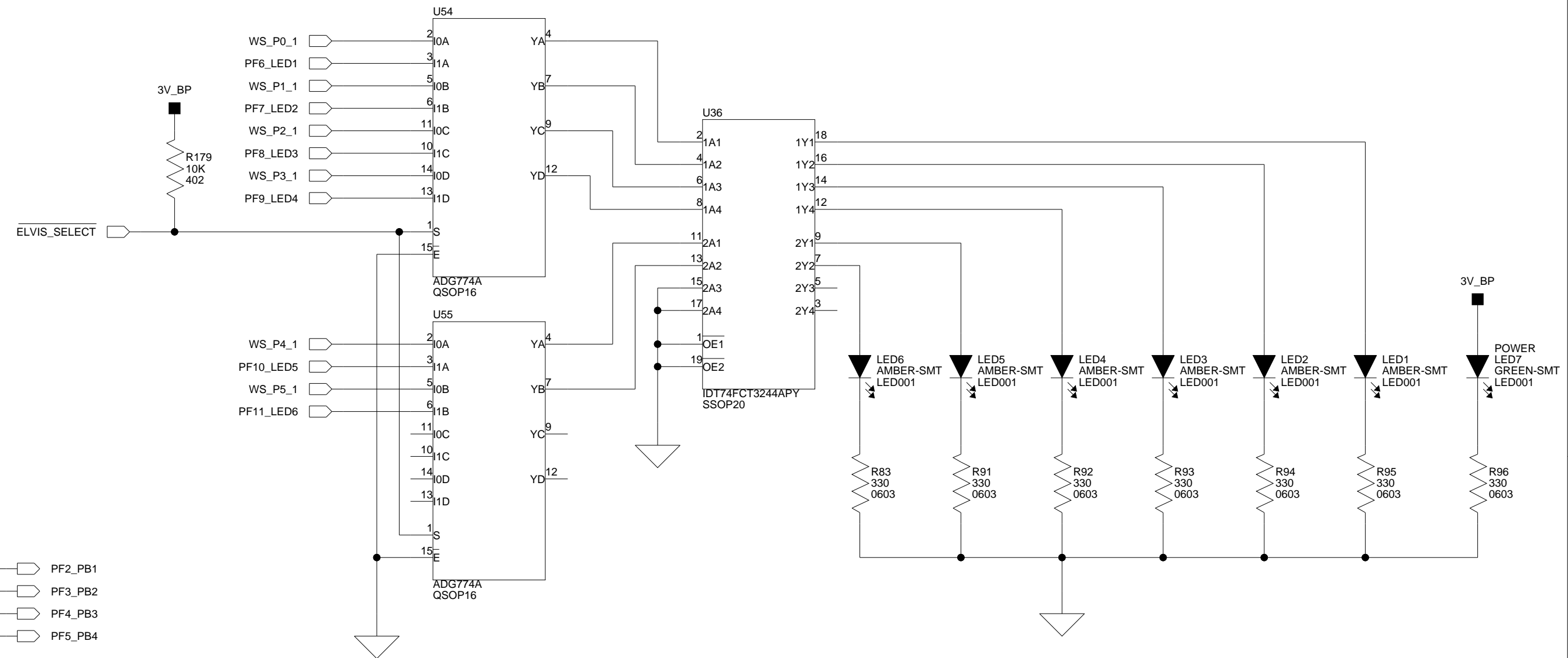
 ANALOG DEVICES		20 Cotton Road Nashua, NH 03063 PH: 1-800-ANALOGD	
		Title ADSP-BF537 EZ-KIT LITE DAC AND AUDIO OUT	
Size C	Board No. A0188-2004	Rev 1.3	
Date 7-22-2005_17:26	Sheet 5 of		11



 ANALOG DEVICES		20 Cotton Road Nashua, NH 03063 PH: 1-800-ANALOGD	
		Title ADSP-BF537 EZ-KIT LITE ETHERNET AND CAN	
Size C	Board No. A0188-2004	Rev 1.3	
Date 8-8-2005_17:20	Sheet 6 of 11		



POSITION	BOOT MODE
0	EXECUTE FROM 16-BIT EXTERNAL MEMORY
1	BOOT FROM 16-BIT MEMORY
2	RESERVED
3	BOOT FROM SPI MEMORY
4	BOOT FROM SPI HOST
5	BOOT FROM SERIAL TWI MEMORY
6	BOOT FROM TWI HOST
7	BOOT FROM UART HOST

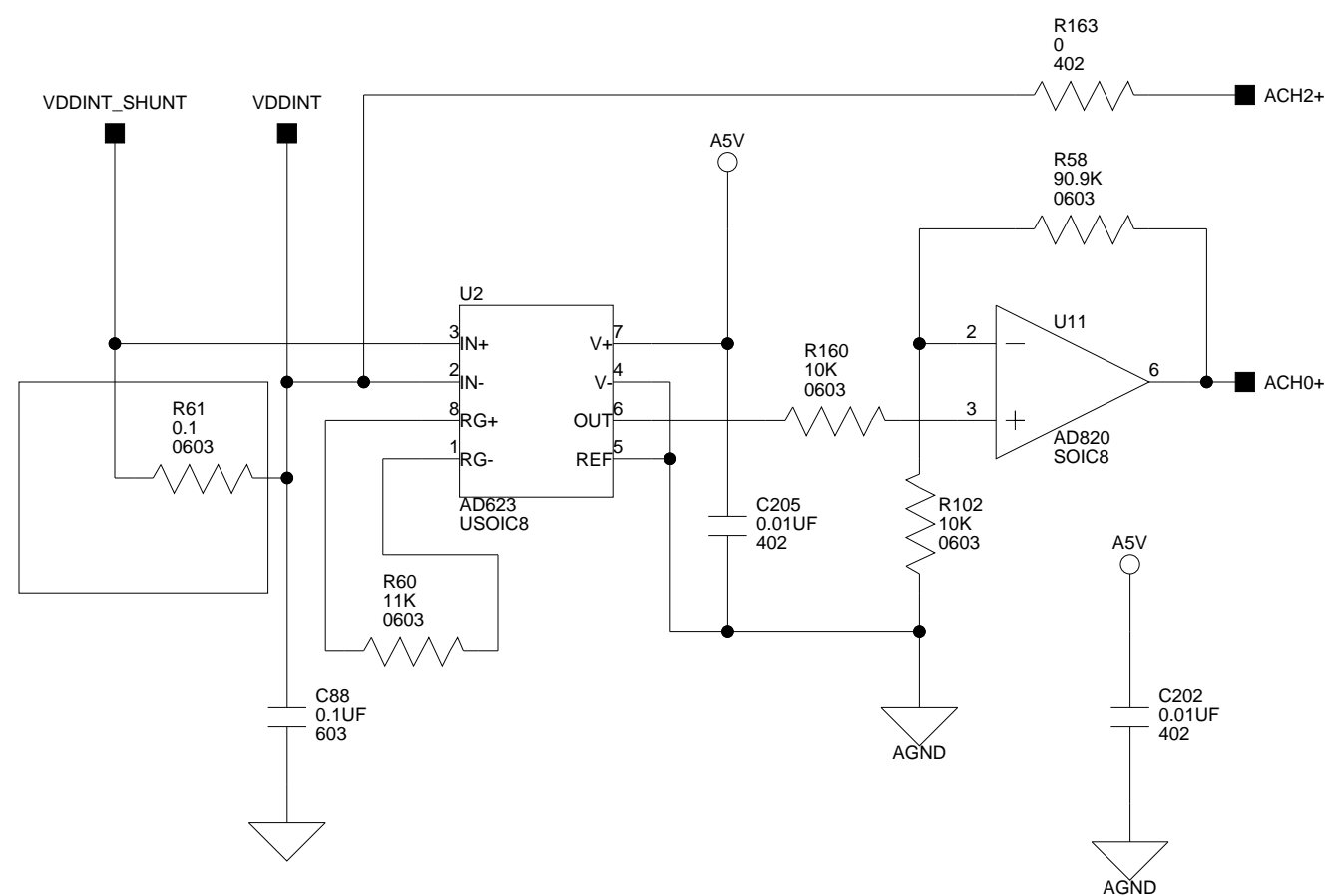


74LVC14A ADM708 IDT74FCT3244 QS3257 QS3257

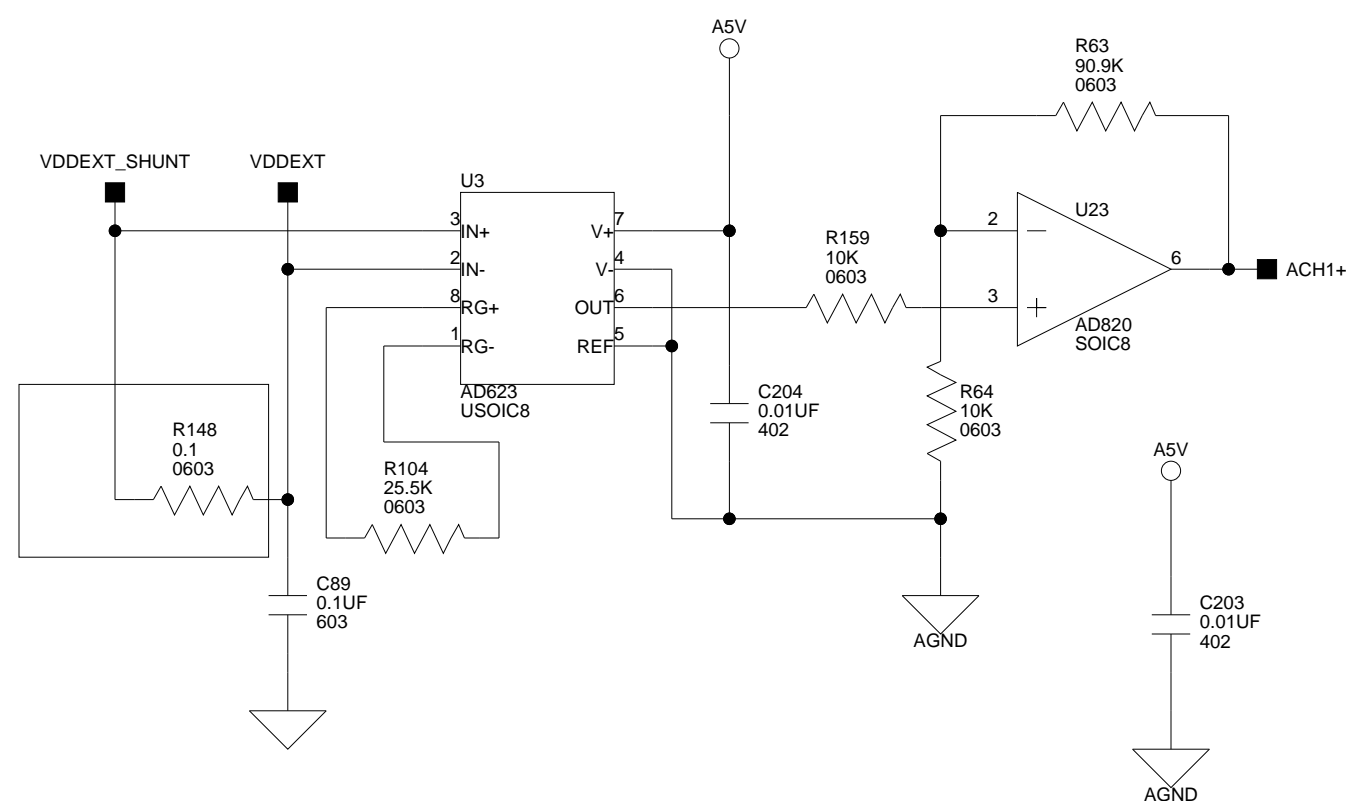
ANALOG DEVICES

20 Cotton Road
Nashua, NH 03063
PH: 1-800-ANALOGD

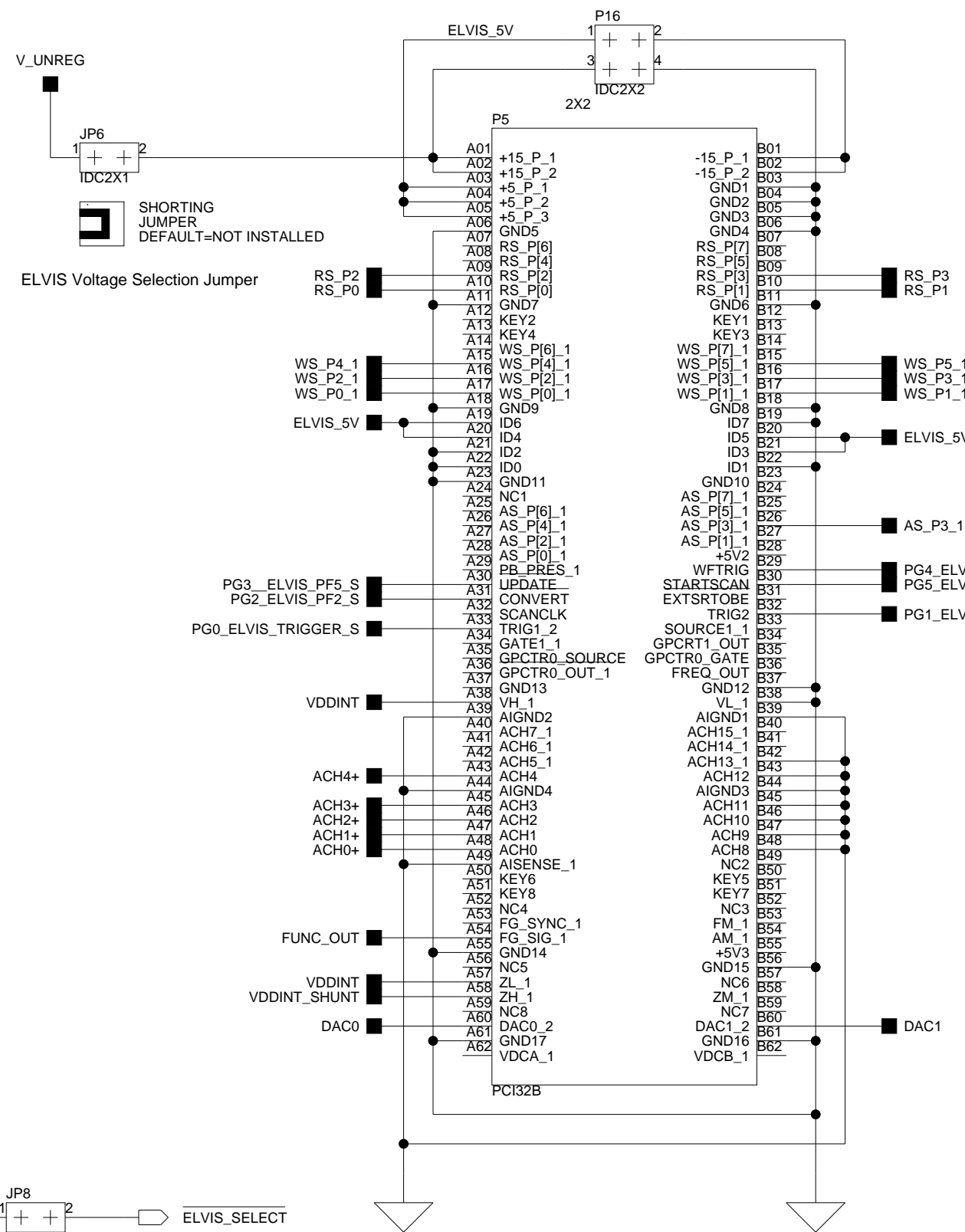
Title ADSP-BF537 EZ-KIT LITE PUSH BUTTONS, LEDS AND BOOT MODE		
Size C	Board No. A0188-2004	Rev 1.3
Date 7-22-2005_17:26	Sheet 7 of 11	



DSP CORE VOLTAGE & CURRENT

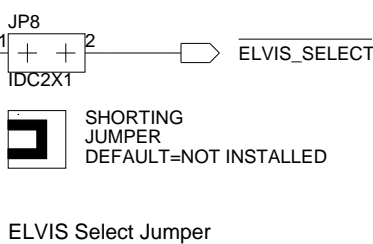


DSP IO CURRENT

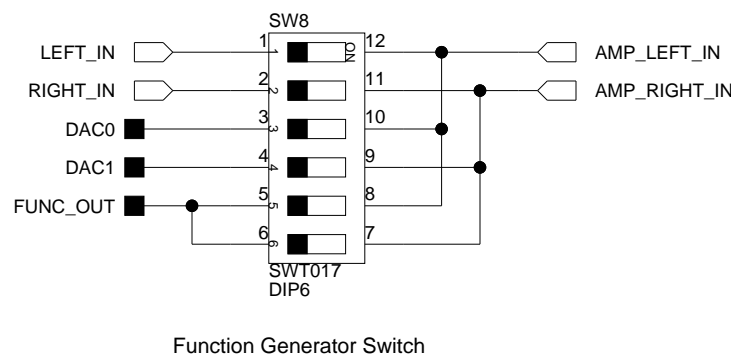


ELVIS CONNECTOR

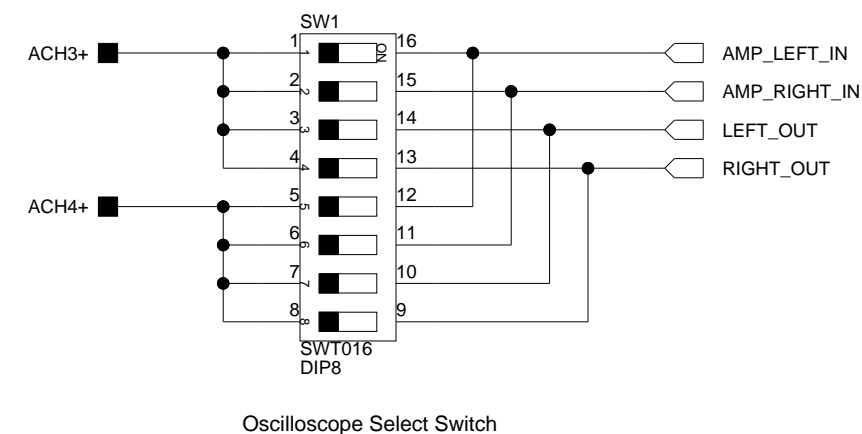
NI ELVIS ID 30 (0001 1110)



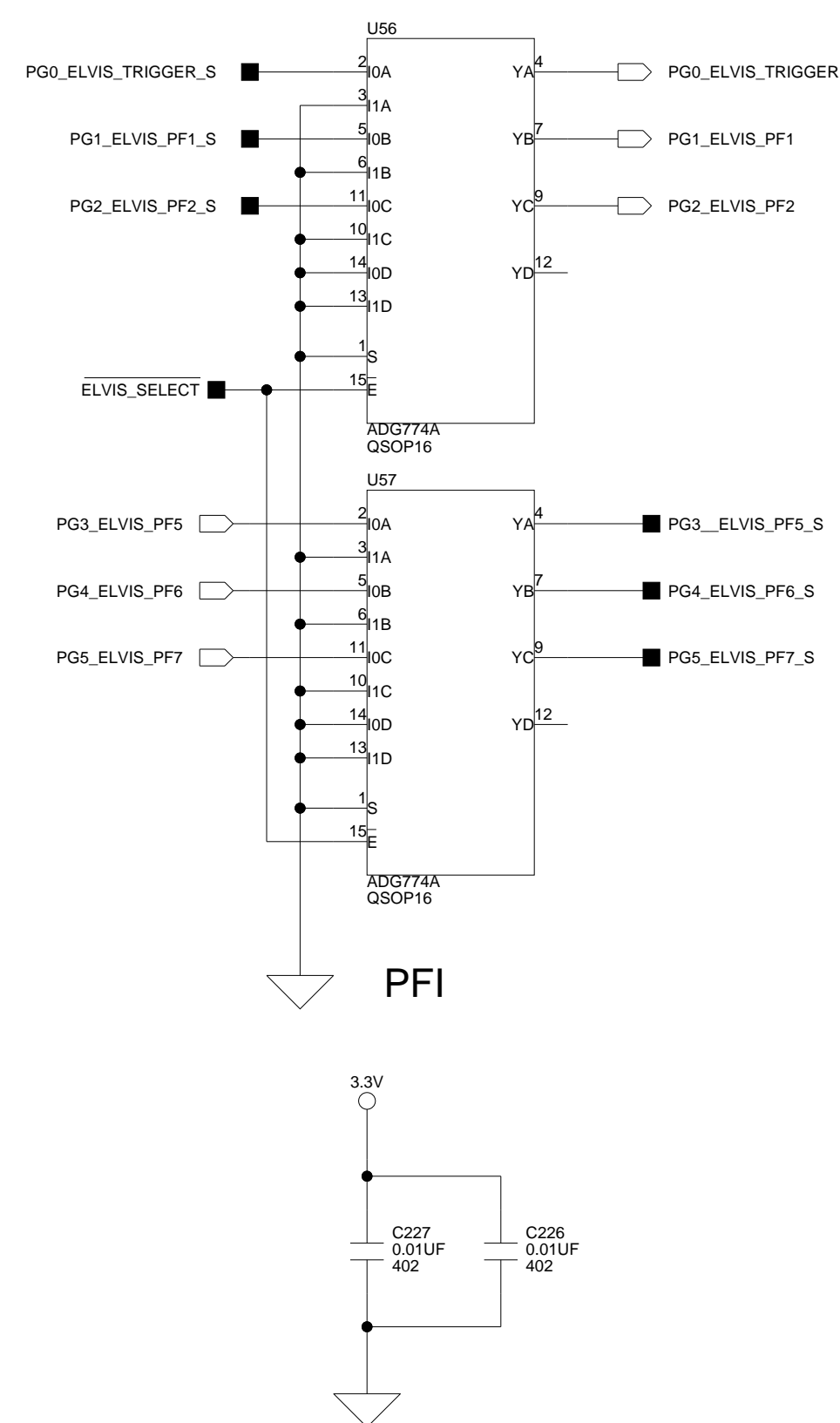
ELVIS Select Jumper



Function Generator Switch



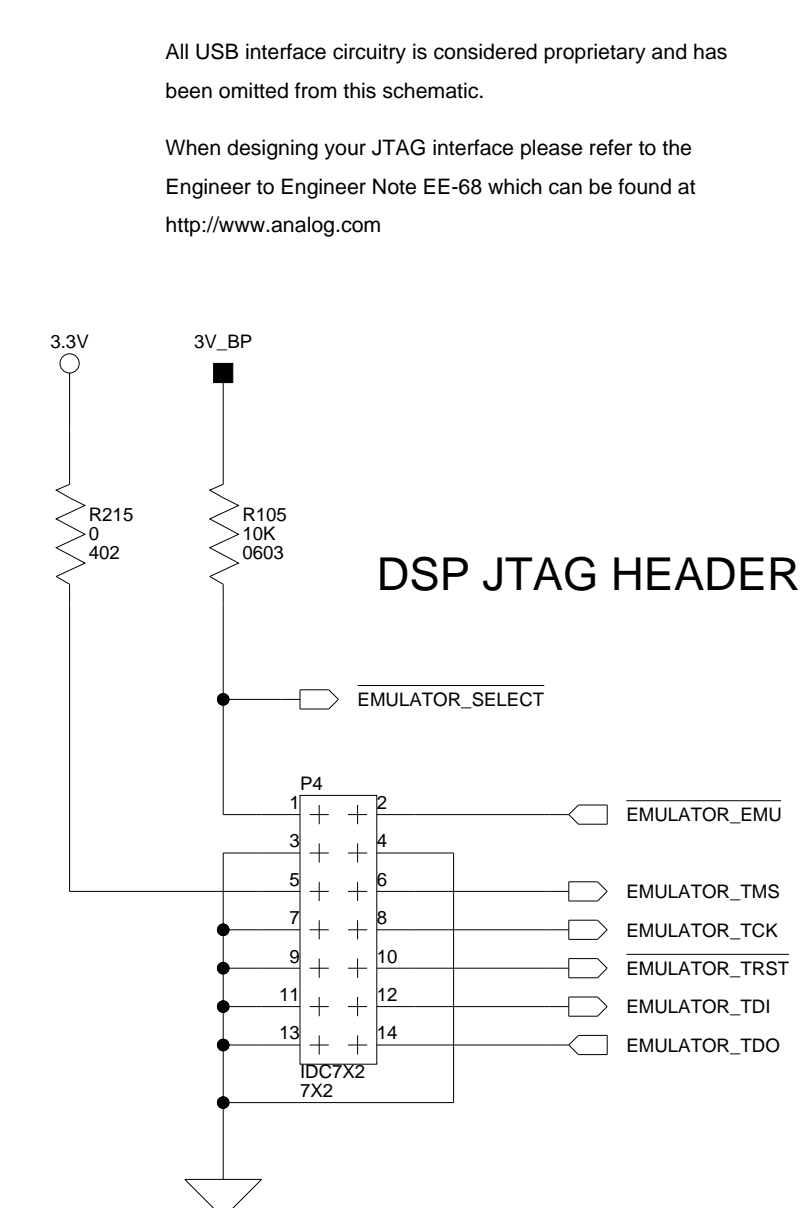
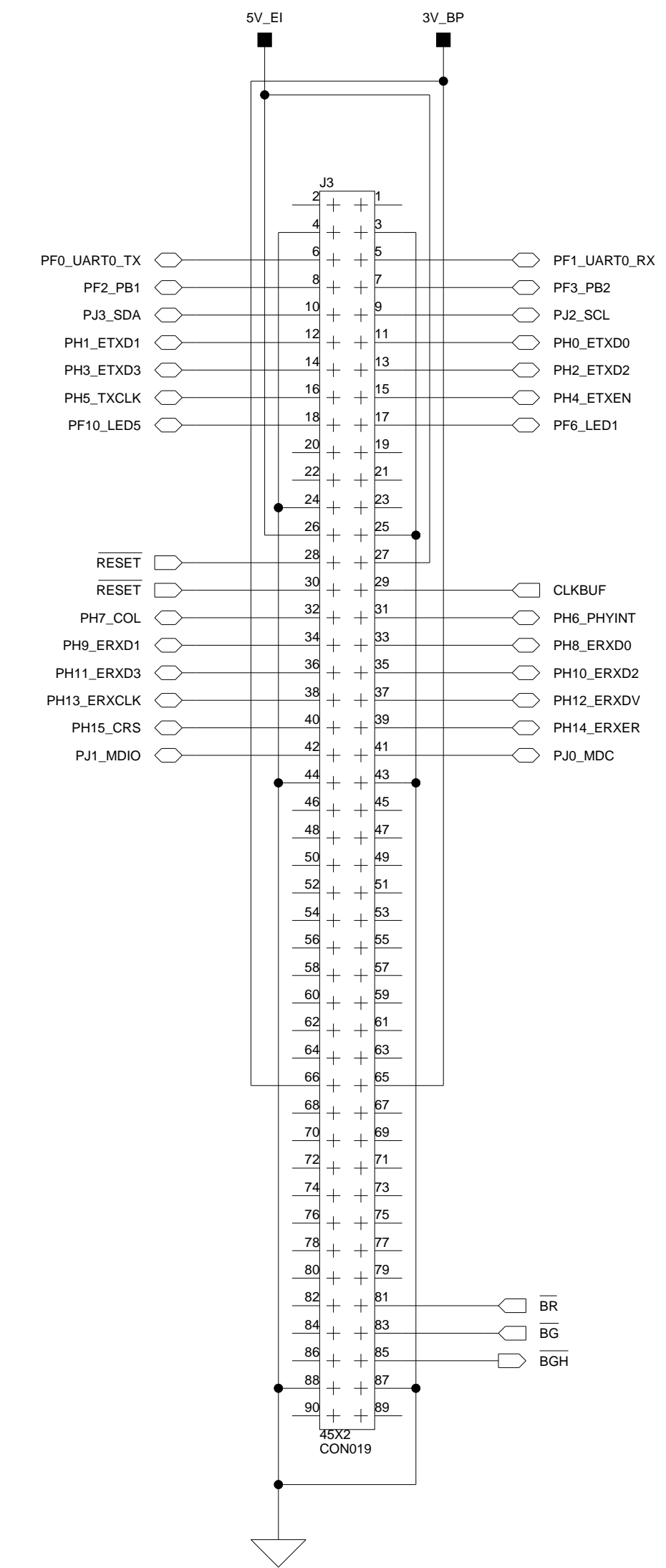
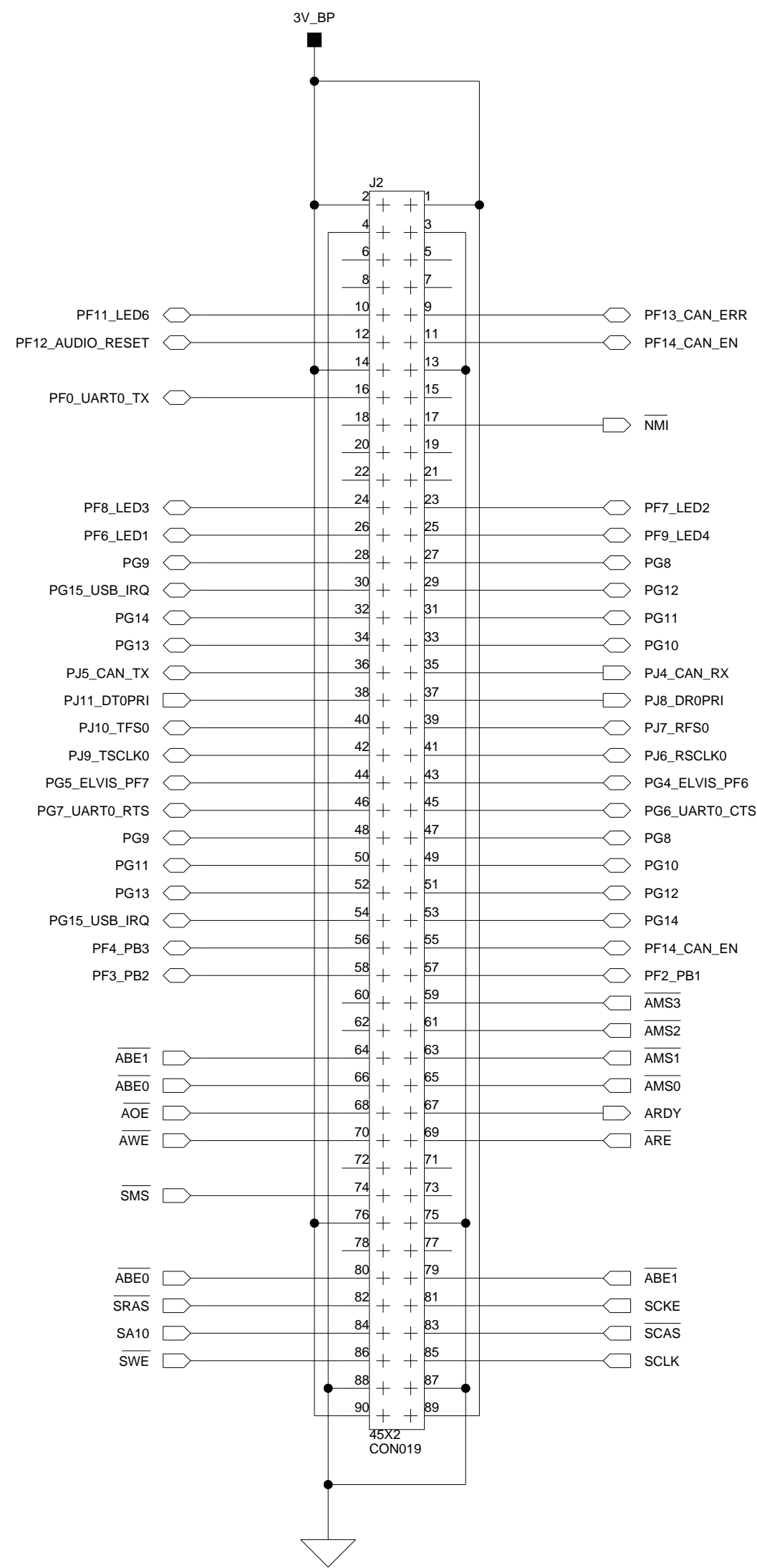
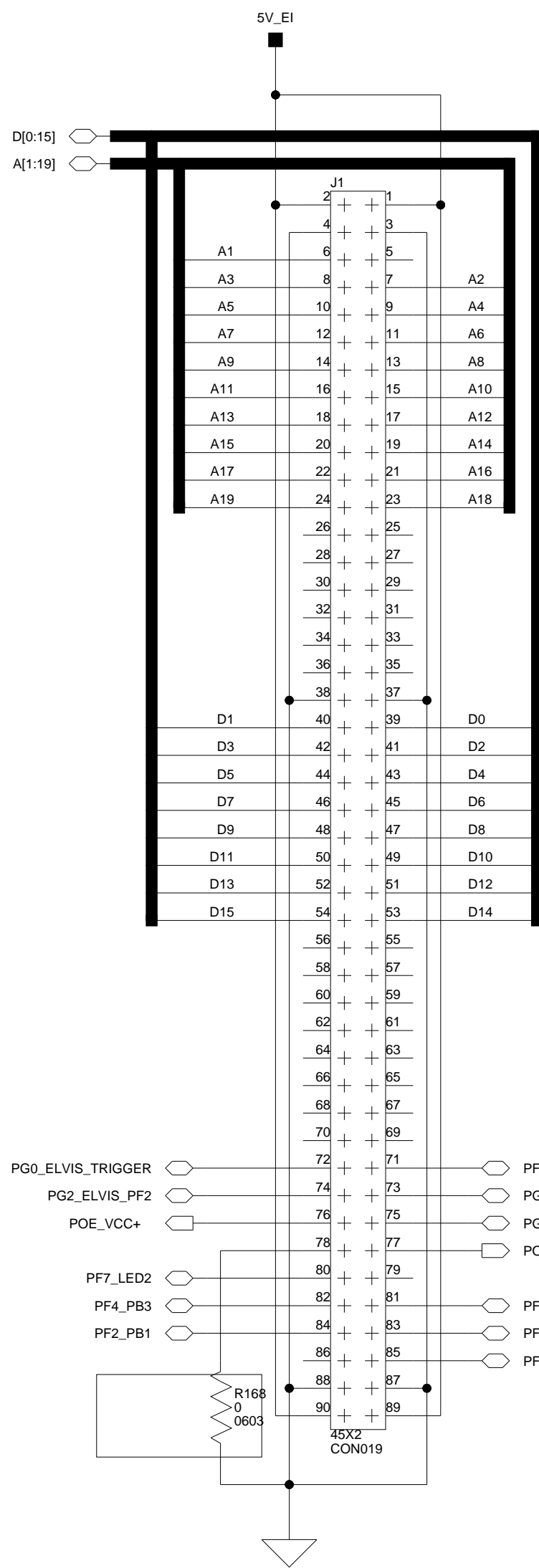
Oscilloscope Select Switch



PFI

		20 Cotton Road Nashua, NH 03063 PH: 1-800-ANALOGD	
		Title ADSP-BF537 EZ-KIT LITE ELVIS INTERFACE	
Size C	Board No. A0188-2004	Rev 1.3	
Date 7-22-2005_17:26	Sheet 8 of		11

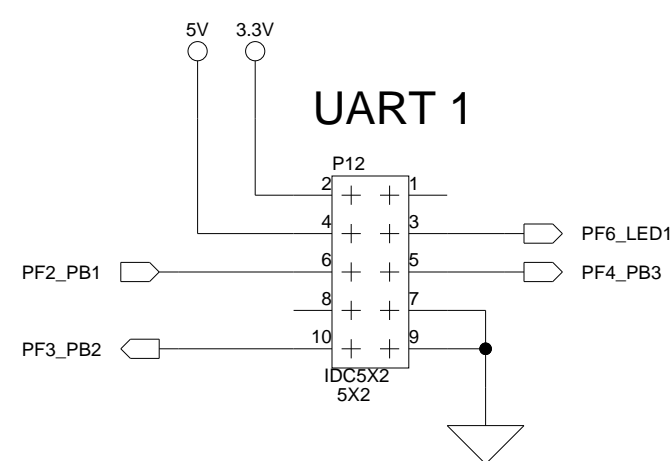
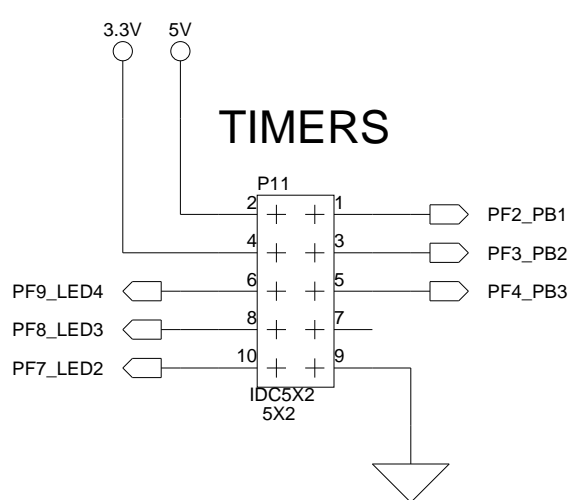
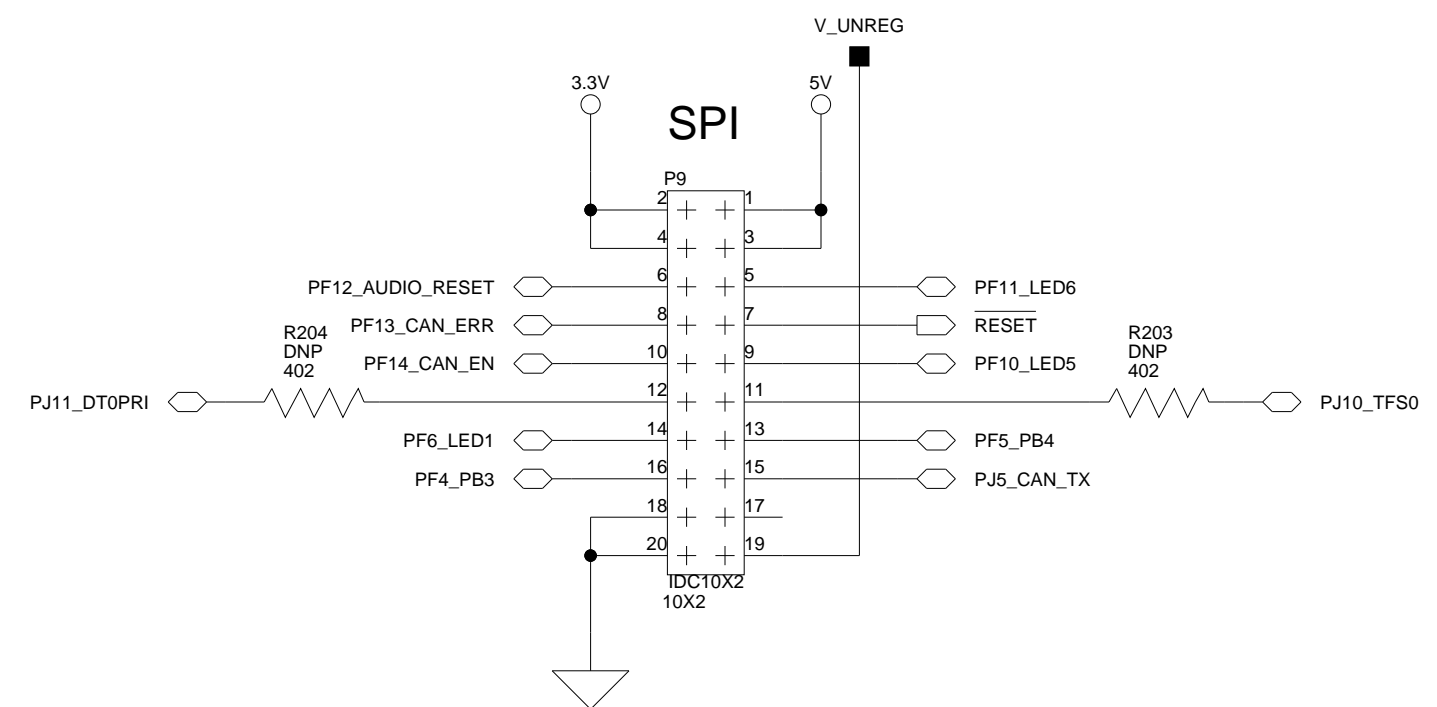
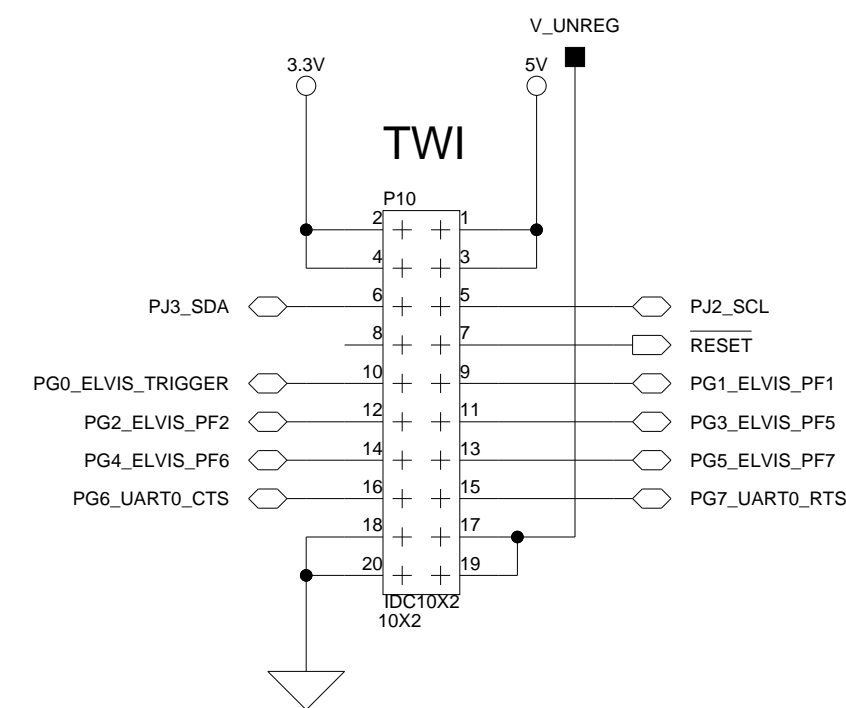
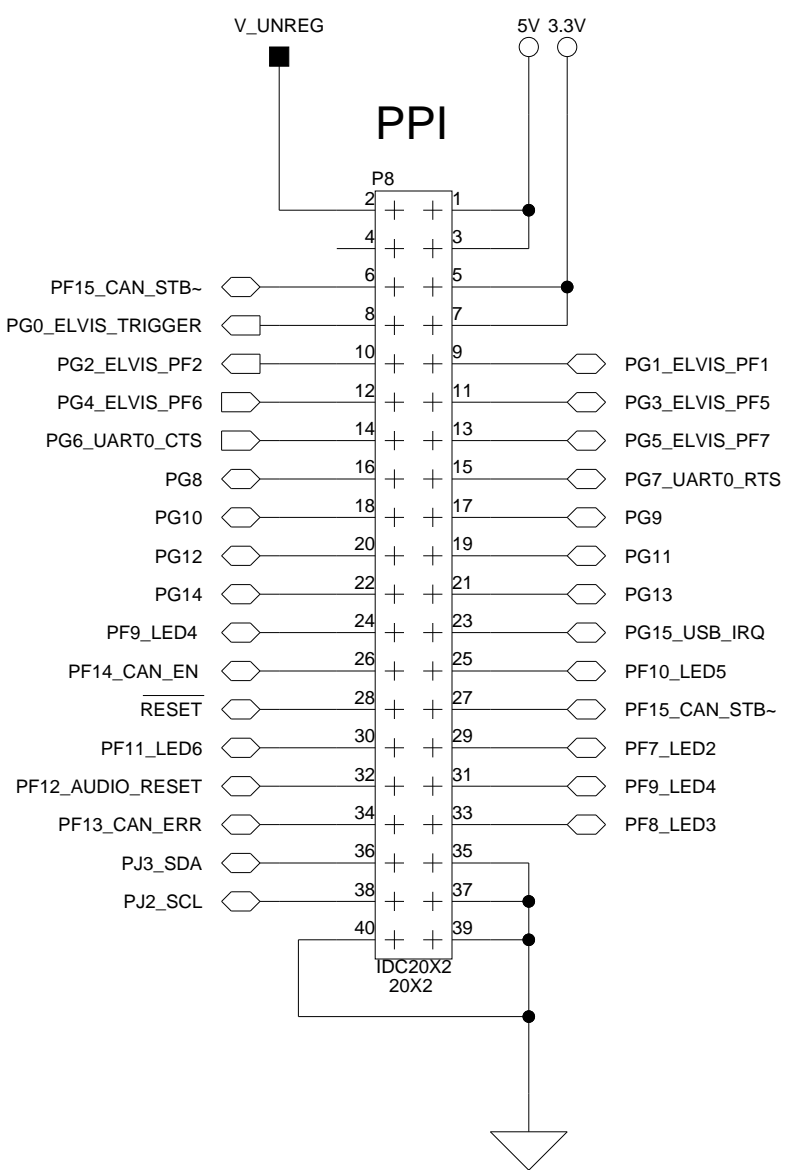
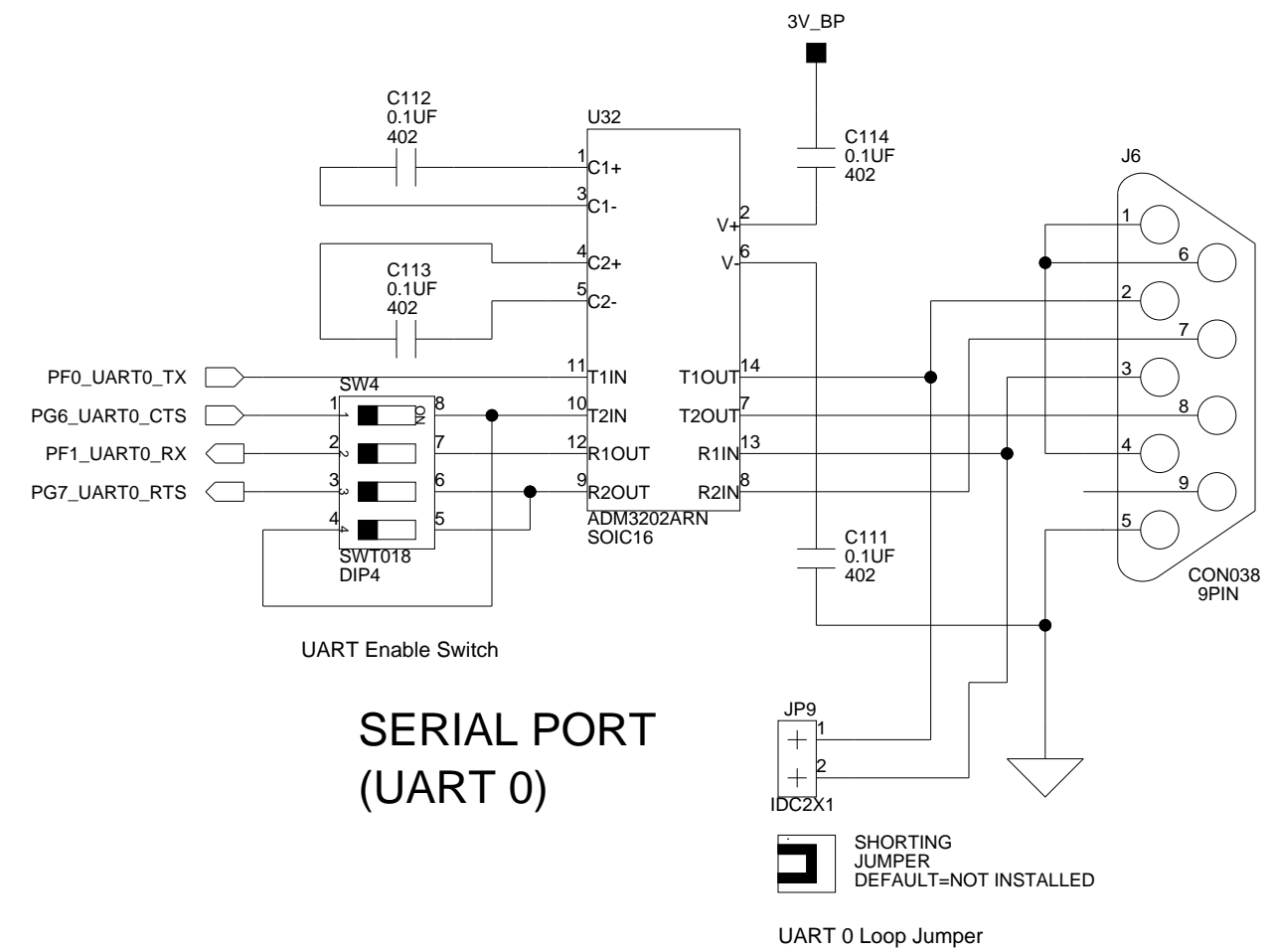
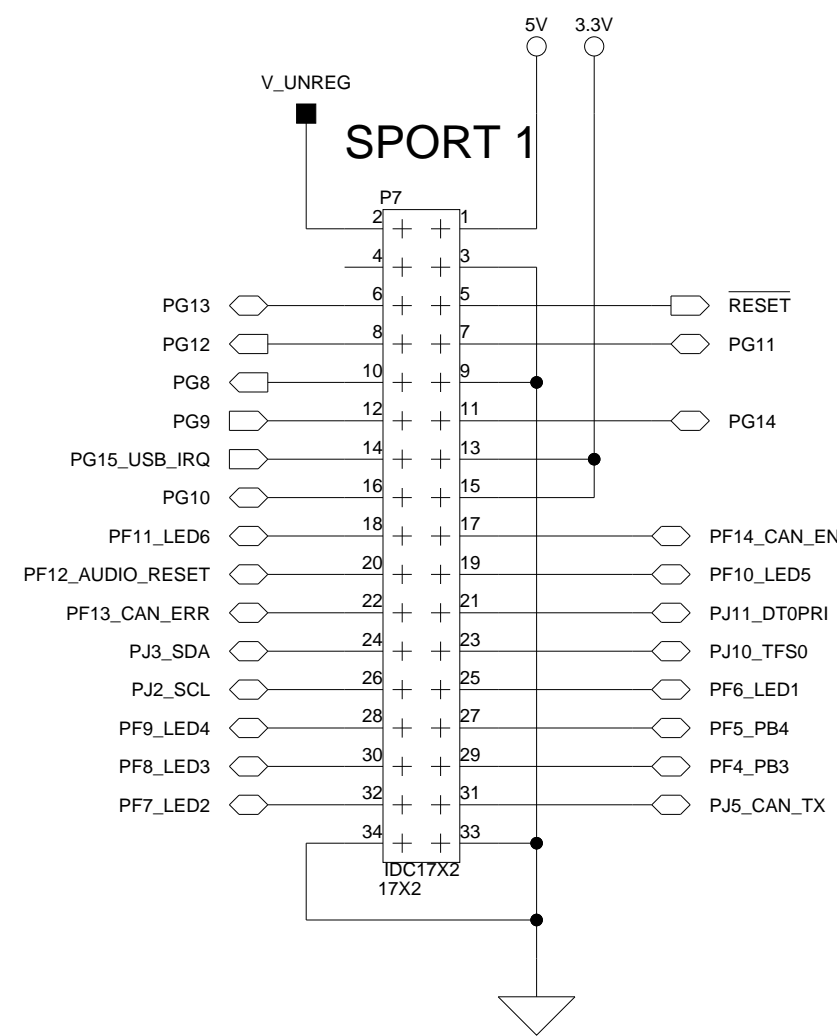
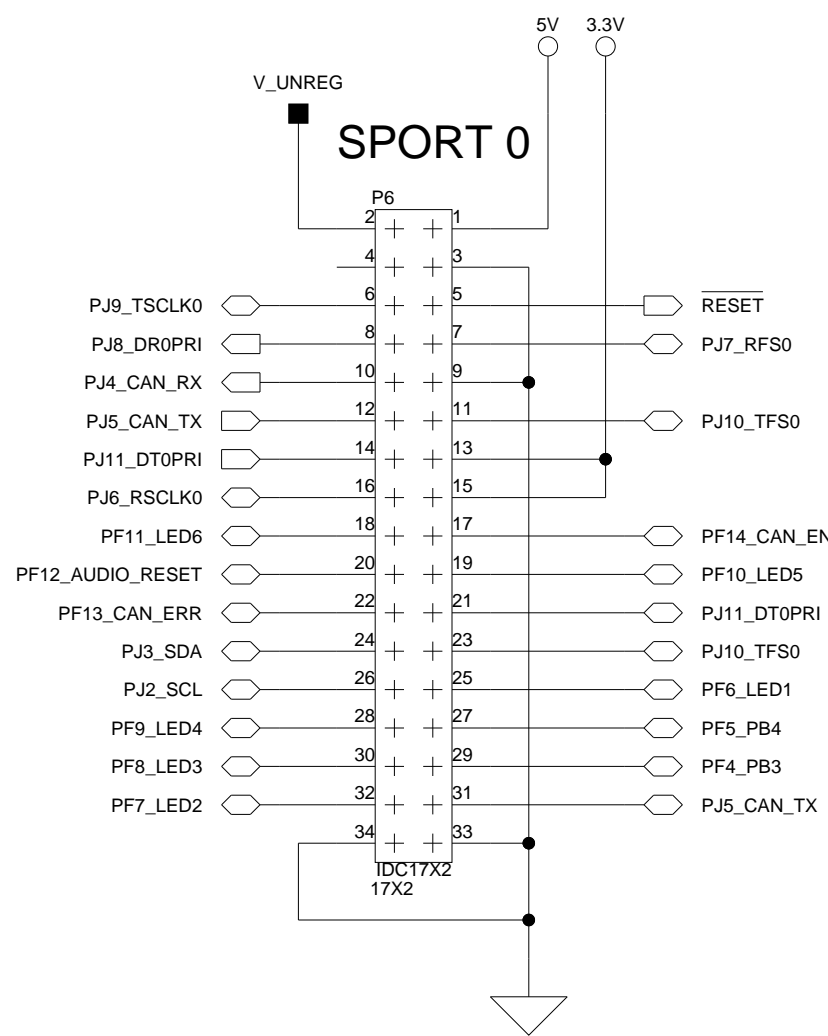
EXPANSION INTERFACE (TYPE B)



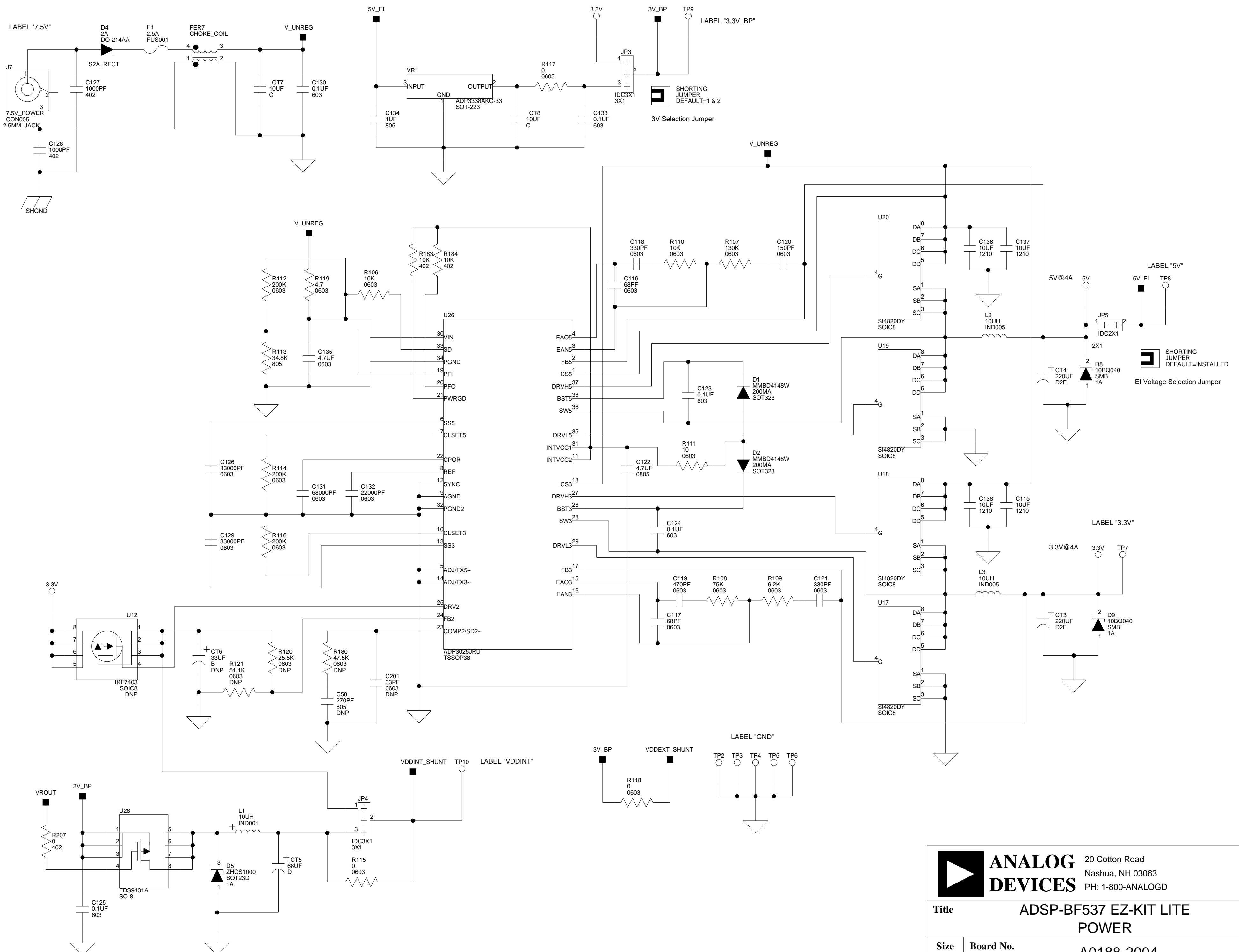
All USB interface circuitry is considered proprietary and has been omitted from this schematic.

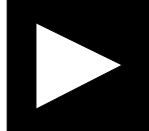
When designing your JTAG interface please refer to the Engineer to Engineer Note EE-68 which can be found at <http://www.analog.com>

 ANALOG DEVICES		20 Cotton Road Nashua, NH 03063 PH: 1-800-ANALOGD	
		Title ADSP-BF537 EZ-KIT LITE EXPANSION INTERFACE	
Size C	Board No. A0188-2004	Rev 1.3	
Date 7-22-2005_17:26	Sheet 9 of 11		



		20 Cotton Road Nashua, NH 03063 PH: 1-800-ANALOGD	
		Title ADSP-BF537 EZ-KIT LITE STAMP CONNECTORS	
Size C	Board No. A0188-2004	Rev 1.3	
Date 7-22-2005_17:26	Sheet 10 of		11



 ANALOG DEVICES		20 Cotton Road Nashua, NH 03063 PH: 1-800-ANALOGD	
		Title ADSP-BF537 EZ-KIT LITE POWER	
Size C	Board No. A0188-2004	Rev 1.3	
Date 7-22-2005_17:26	Sheet 11 of		11