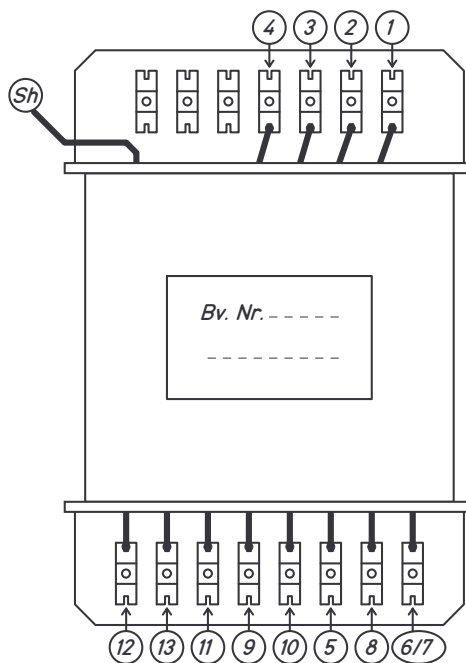
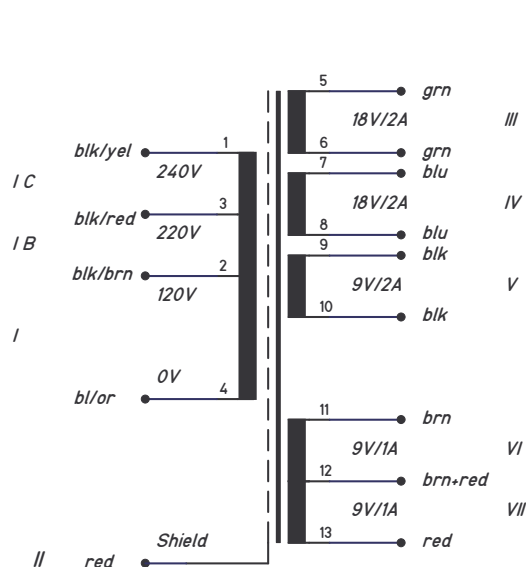


TRANSFORMER – SPECIFICATION



Bv. Nr. -----

Use 0.1 mm Hostafan (Polyester) Insulation with serrated border

Core Des: M 85	Core Material: Dyn. Bl. IV	Lamination Thickness: 0.35 mm	Airgap: n/a	Number of Laminations: ca. 150	
Magnetic Induction: 12000 Gauss	Inside Flux Density: 2.4A / mm²	Outside Flux Density: 2.8A / mm²			

Winding Data:

Wdg Nr:	Winding Description	Wire Gauge	Number of Turns	Color		Connection		Comments
				Beg	End	Beg	End	
I	Wpr 1	0.7 Cul	TBD	blk/yel	blk/yel	1	2	Beg/End Insulation: 0.1mm Hostafan Layer Insulation: 1x 0.03 Hostafan
I B	Wpr 1b	0.7 Cul	TBD	blk/yel	blk/yel	2b	3	Layer Insulation: 1x 0.03 Hostafan
I C	Wpr 1c	0.7 Cul	TBD	blk/yel	blk/yel	3b	4	Layer Insulation: 1x 0.03 Hostafan
II	Shield	0.1 Cul	1 Layer	red	n/a	See Comment		Attach to a solder lug under nearest mounting screw Cover Insulation: 2x 0.1mm Hostafan
III	Wsec 1	1.2 Cul	54	grn	grn	5	6	Layer Insulation: 1x 0.03 Hostafan Cover Insulation: 2x 0.1mm Hostafan
IV	Wsec 2	1.2 Cul	54	blue	blue	7	8	Layer Insulation: 1x 0.03 Hostafan Cover Insulation: 2x 0.1mm Hostafan
V	Wsec 3	1.2 Cul	26	blk	blk	9	10	Layer Insulation: 1x 0.03 Hostafan Cover Insulation: 2x 0.1mm Hostafan
VI	Wsec 4	0.7 Cul	26	brn	red	11	12	Layer Insulation: 1x 0.03 Hostafan Cover Insulation: 2x 0.1mm Hostafan
VII	Wsec 5	0.7 Cul	26	brn	red	13	14	Layer Insulation: 1x 0.03 Hostafan Cover Insulation: 2x 0.1mm Hostafan

This document is our property. Duplication, unauthorized use of anykind is prohibited.			Description: Power Transformer for LNG30/2 Lab Power Supply				Repl. for: New		Bv. Nr: 07027G-LNG30	
							Appl: LNG30/2		Size: A Intern	
Date: 5-Nov-2012 Name: GJO			Change Index: Change Notification Nr: 		Date: Name: 		Cust: Intern		Rev: 0	
Drawn: 5-Nov-2012 Name: GJO			Change Index: Change Notification Nr: 		Date: Name: 		Title: LNG30/2 Netztrafo			
Modified: Name: 			Change Index: Change Notification Nr: 		Date: Name: 		File: Trafo BV.sch Sheet 0 of 0			
Checked: Name: 			Change Index: Change Notification Nr: 		Date: Name: 					