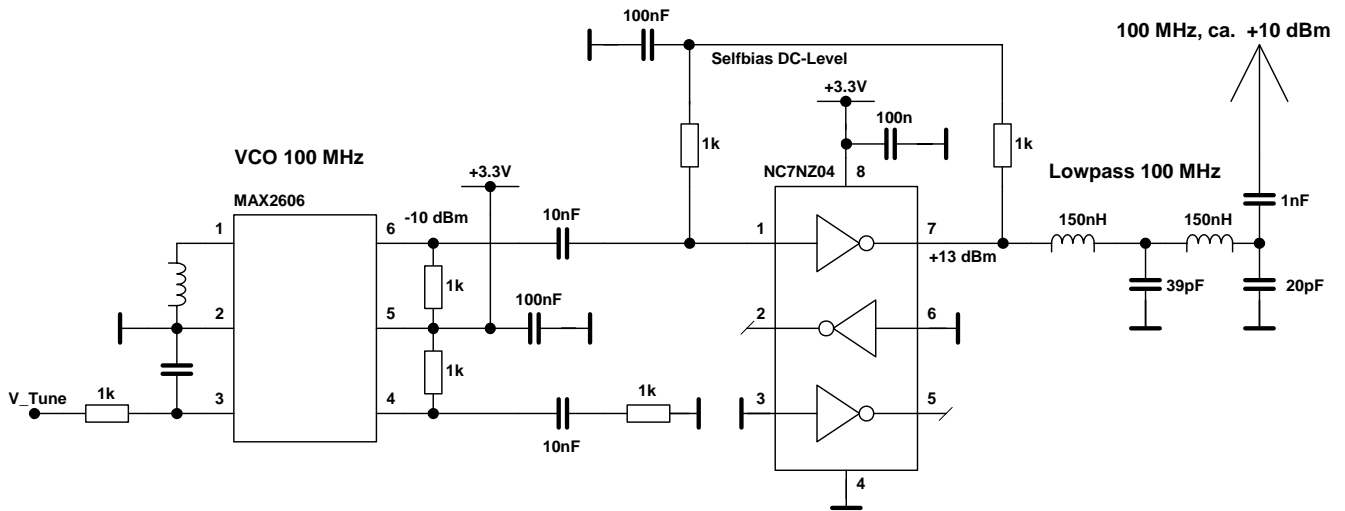


Mini UKW-Transmitter (P. Sager 16.11.2006, psavr@gmx.ch)

A) Asymmetrical Amplifier (about +10 dBm @ 3.3V)



B) Symmetrical Amplifier (about +13 dBm @ 3.3V)

