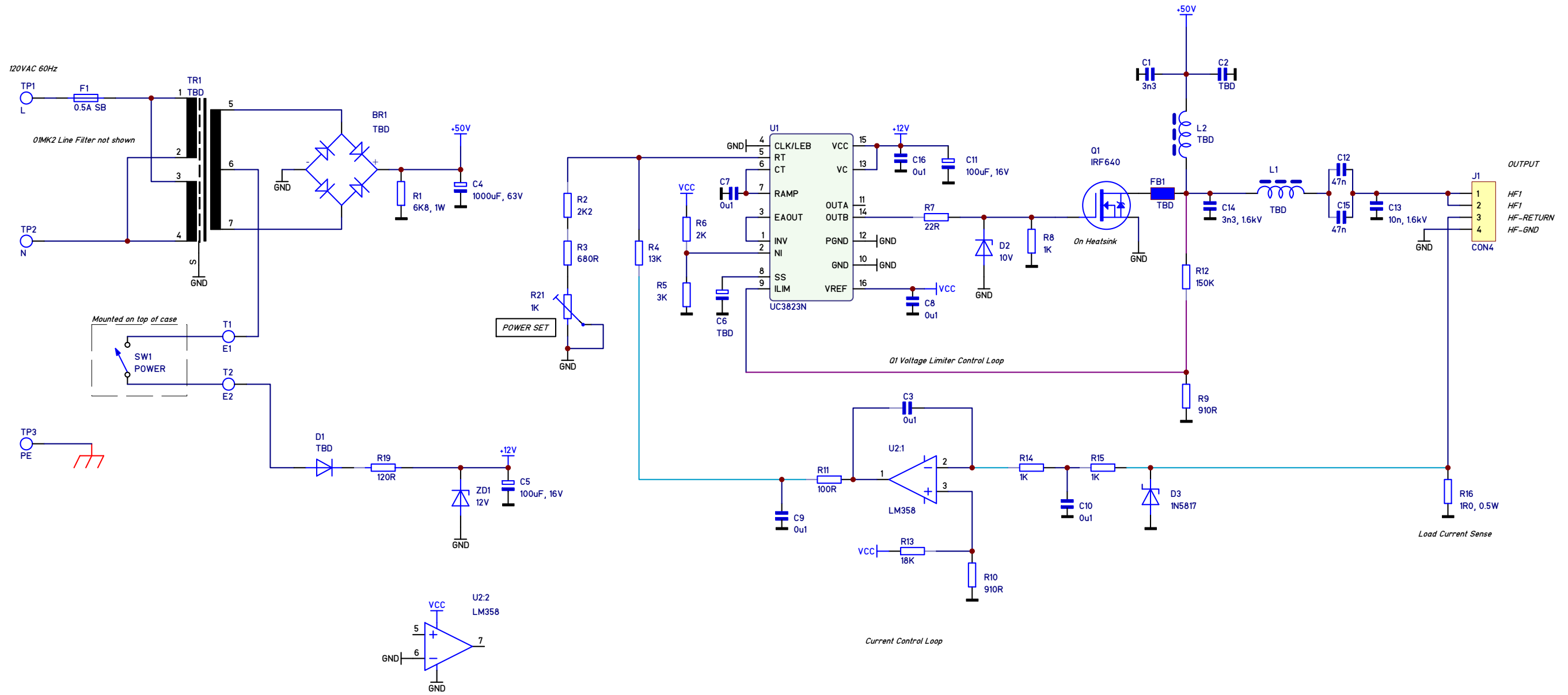


MAIN WIRING BOARD A1



Some componnet values cannot be read without unsoldering

Unless otherwise specified, all values are as follows: resistor values are in Ohms, i.e. 0R47, 5R6, 220, 5K6, 22K capacitor values are in Microfarads, i.e. 220p, 0u1, 2u2, 33 inductor values are in Microhenries, i.e. 0u22, 5u6, 68, 2m2		Preliminary Schematic				PCB Name: <i>Main Board</i> PCB Nr.: <i>7022-0000 REVD</i>		SP200 Solder Station Power Supply			
		This drawing is our property. Duplication, unauthorized use of any kind is prohibited. Without Approval use only for inquiry.		Approval: _____		PCB Type: <i>FR4 2L ILL 2SM 15mm</i> Scale: <i>SCH</i>		Used in: <i>SP-PW1-10</i> Repl. for: <i>n/a</i> Build No.: <i>n/a</i>		Drw. Type: <i>PCB SCHEMATIC</i> Prj. Nr: <i>13028G</i>	
Date: <i>16-Oct-2013 07:06:04</i> Name: <i>GJO</i>		Change Index: _____ Change Notification Nr.: _____		Date: _____ Name: _____		Drw. Nr: <i>13028-STPS-E01</i>		Size: B Rev: <i>0</i>		File: <i>SP200.sch</i> Sheet <i>1</i> of <i>1</i>	
<input type="checkbox"/> Prototype <input checked="" type="checkbox"/> Production <input type="checkbox"/> BOM Done?											