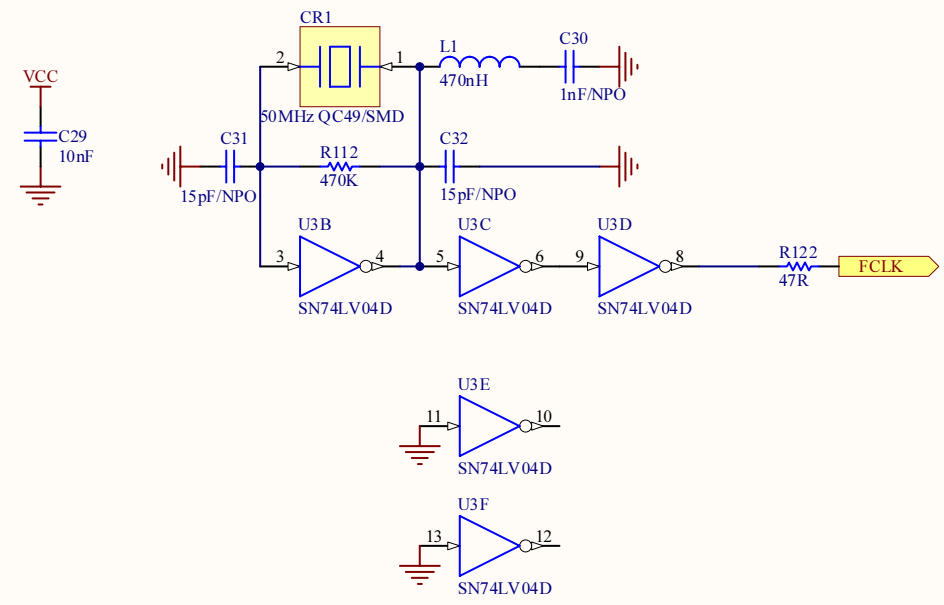


Title <b>NEB - Spartan Top</b>		Altium Limited L3, 12a Rodborough Rd Frenchs Forest NSW Australia 2086	
Size: A	Number:	Revision: 1.01	
Date: 30/09/2004	Time: 5:12:36 PM	Sheet 1 of 10	
File: NEB_TOP SPARTAN.SchDoc			

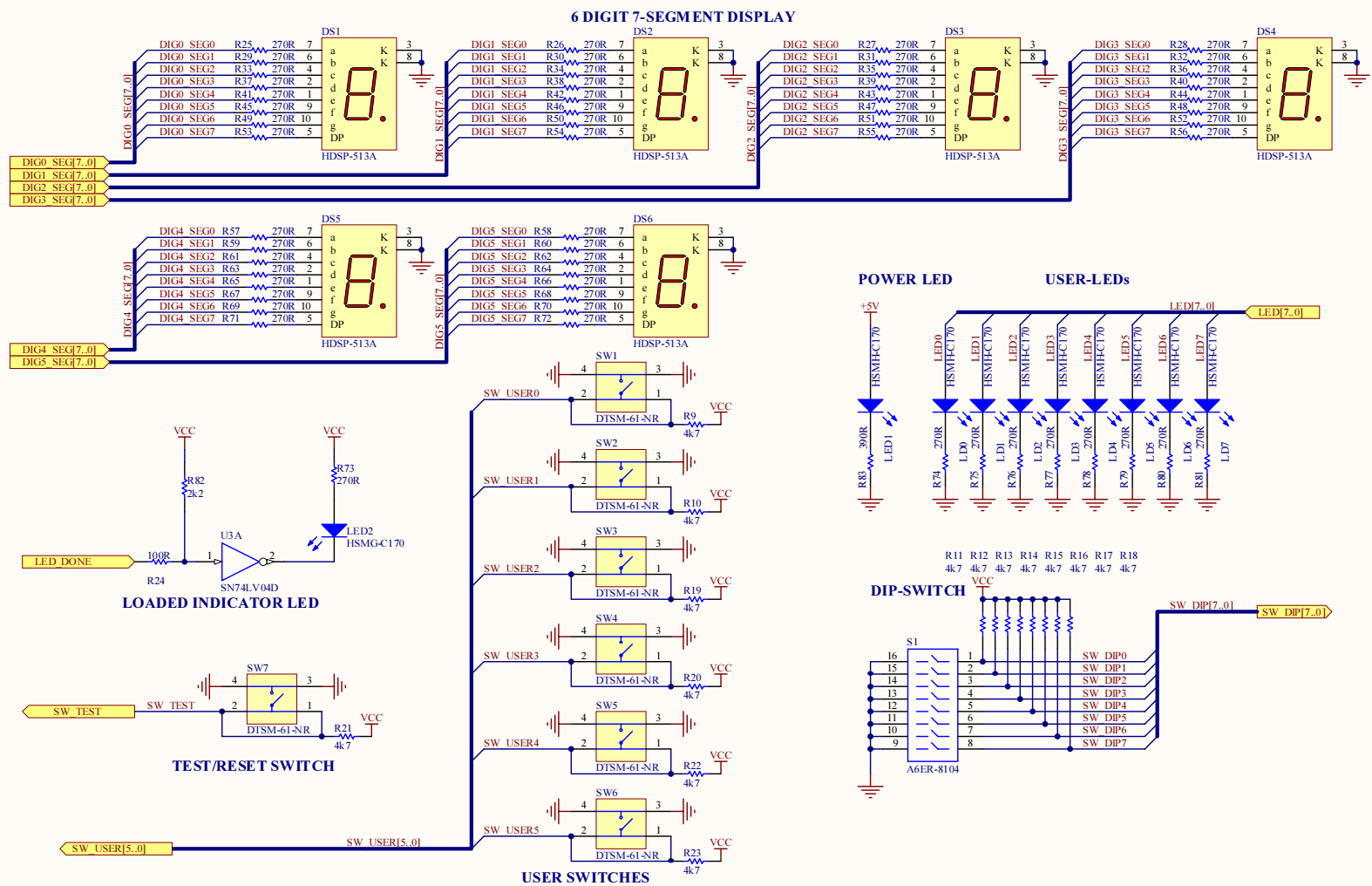
### 3rd Overtone 50MHz Crystal Oscillator

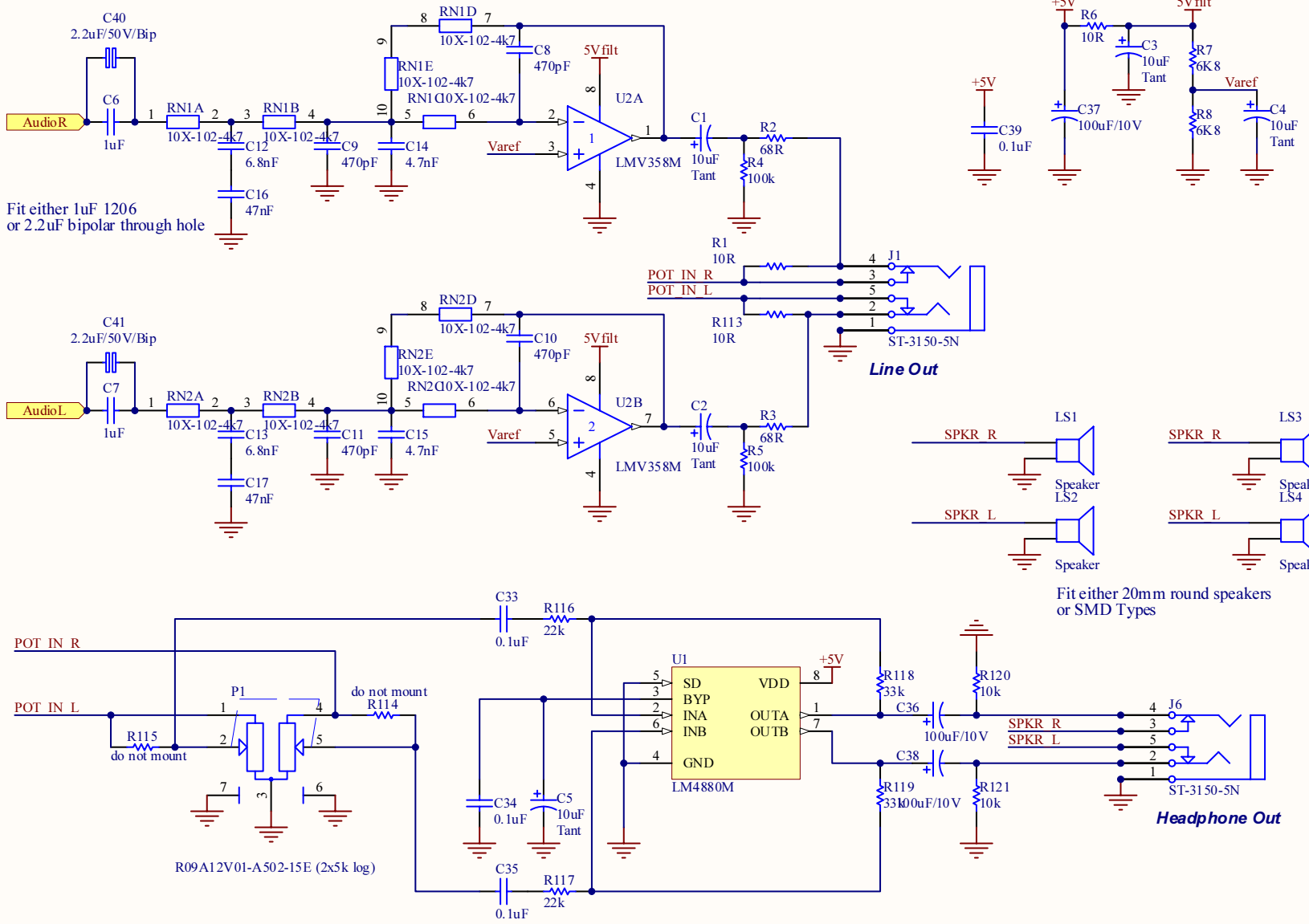


Title <b>NEB - Crystal Oscillator</b>		
Size: A	Number:	Revision: 1.01
Date: 30/09/2004	Time: 5:35:18 PM	Sheet 2 of 10
File: NEB_XTALOSC.SchDoc		

Altium Limited  
 L3, 12a Rodborough Rd  
 Frenchs Forest  
 NSW  
 Australia 2086





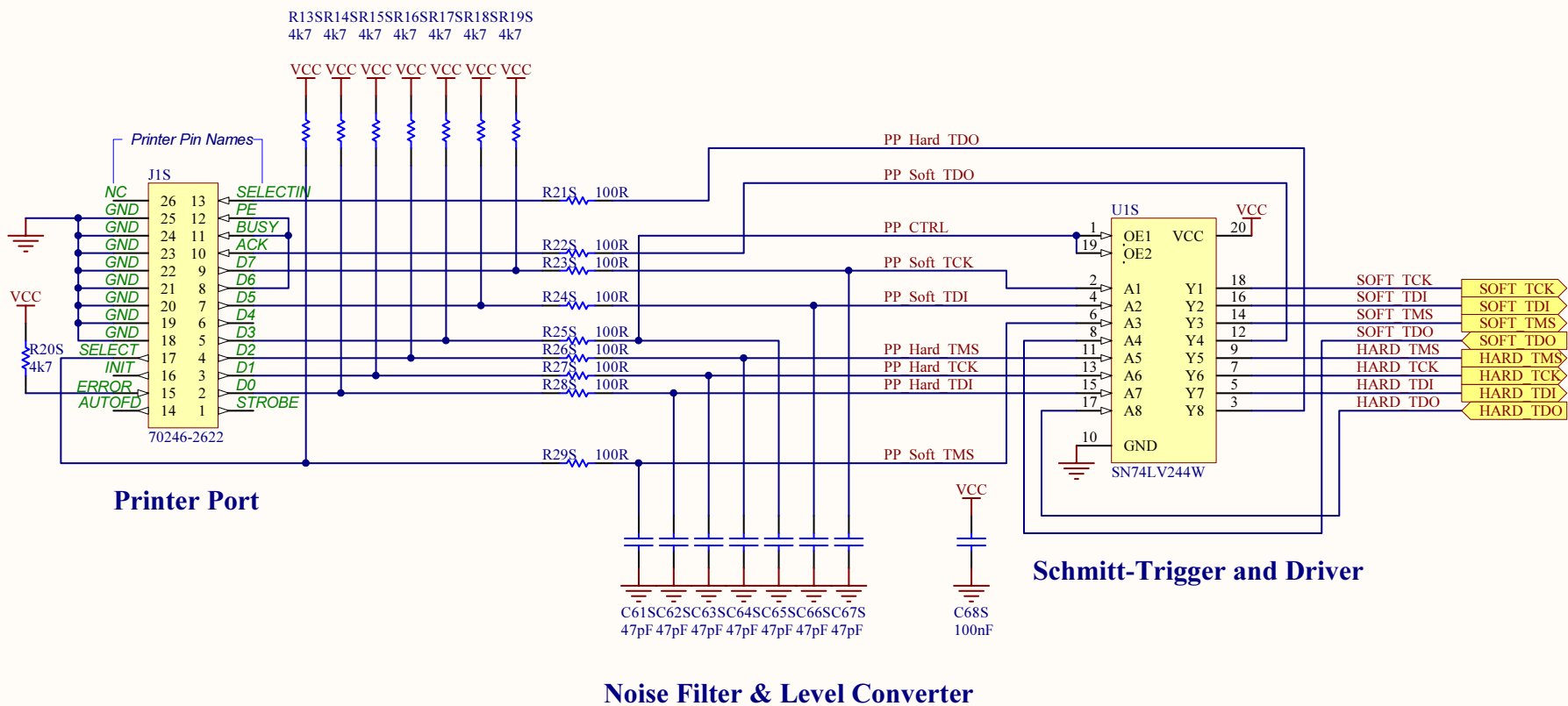


Fit either 1uF 1206  
or 2.2uF bipolar through hole

Fit either 20mm round speakers  
or SMD Types

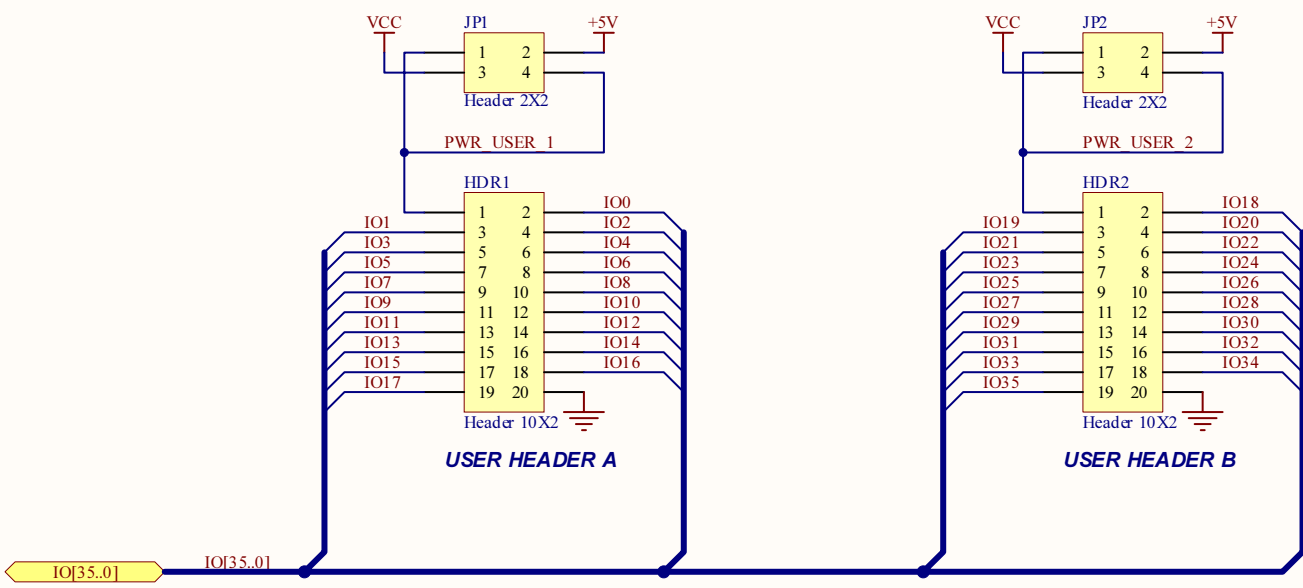
Title <b>NEB - Audio Interface</b>		Altium Limited L3, 12a Rodborough Rd Frenchs Forest NSW Australia 2086	
Size: A	Number:	Revision: 1.01	
Date: 30/09/2004	Time: 5:12:55 PM	Sheet 4 of 10	
File: NEB AUDIO_OUT.SCHDOC			

# Printer Port JTAG Interface (ISE Compatible)



Title <b>NEB - ISE Parallel Port Interface</b>			Altium Limited L3, 12a Rodborough Rd Frenchs Forest NSW Australia 2086	
Size: A	Number:	Revision: 1.01		
Date: 30/09/2004	Time: 5:13:08 PM	Sheet 5 of 10		
File: NEB ISE INT.SchDoc				

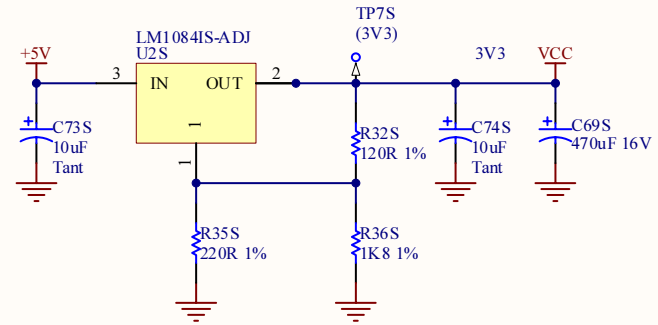
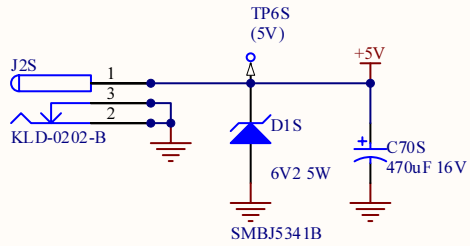




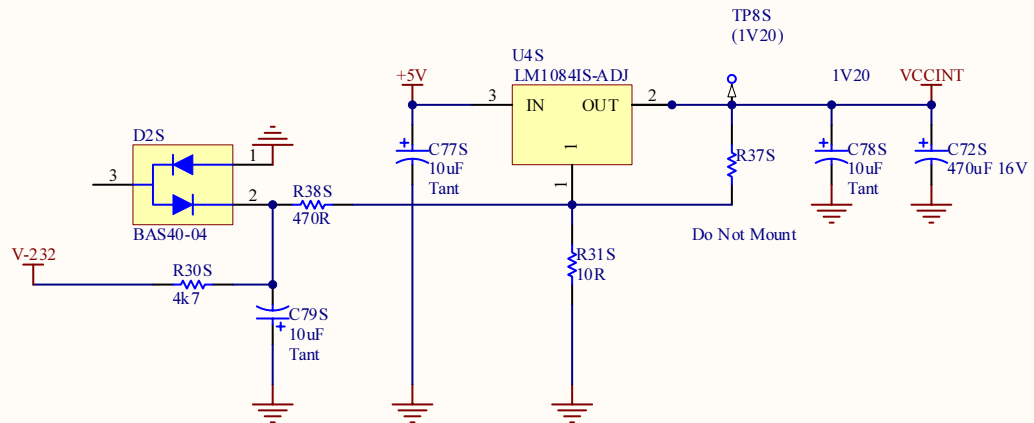
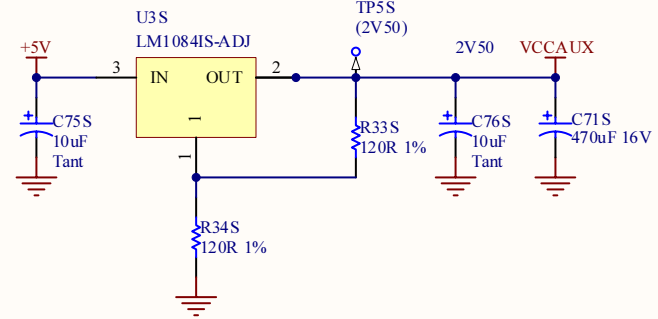
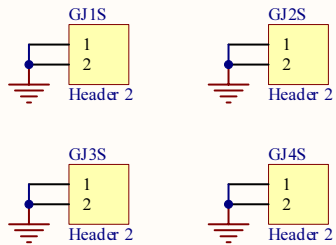
Title <b>NEB - Users IO Interfaces</b>		
Size: A	Number:	Revision: 1.01
Date: 30/09/2004	Time: 5:13:06 PM	Sheet 6 of 10
File: NEB_USRIO.SchDoc		

Altium Limited  
L3, 12a Rodborough Rd  
Frenchs Forest  
NSW  
Australia 2086

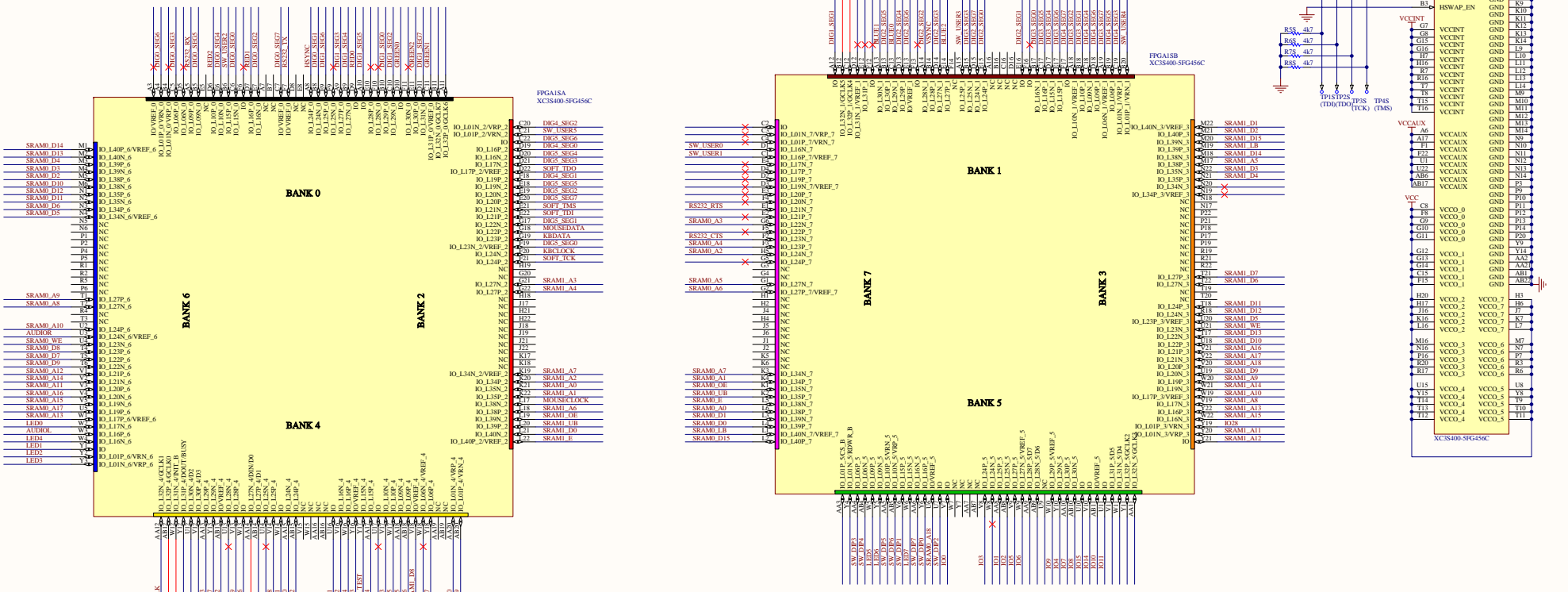
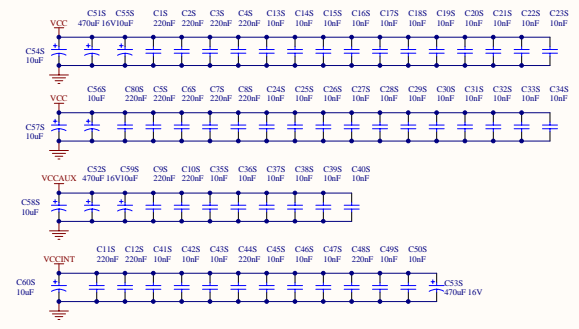
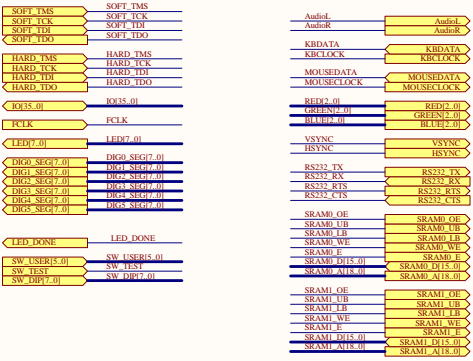




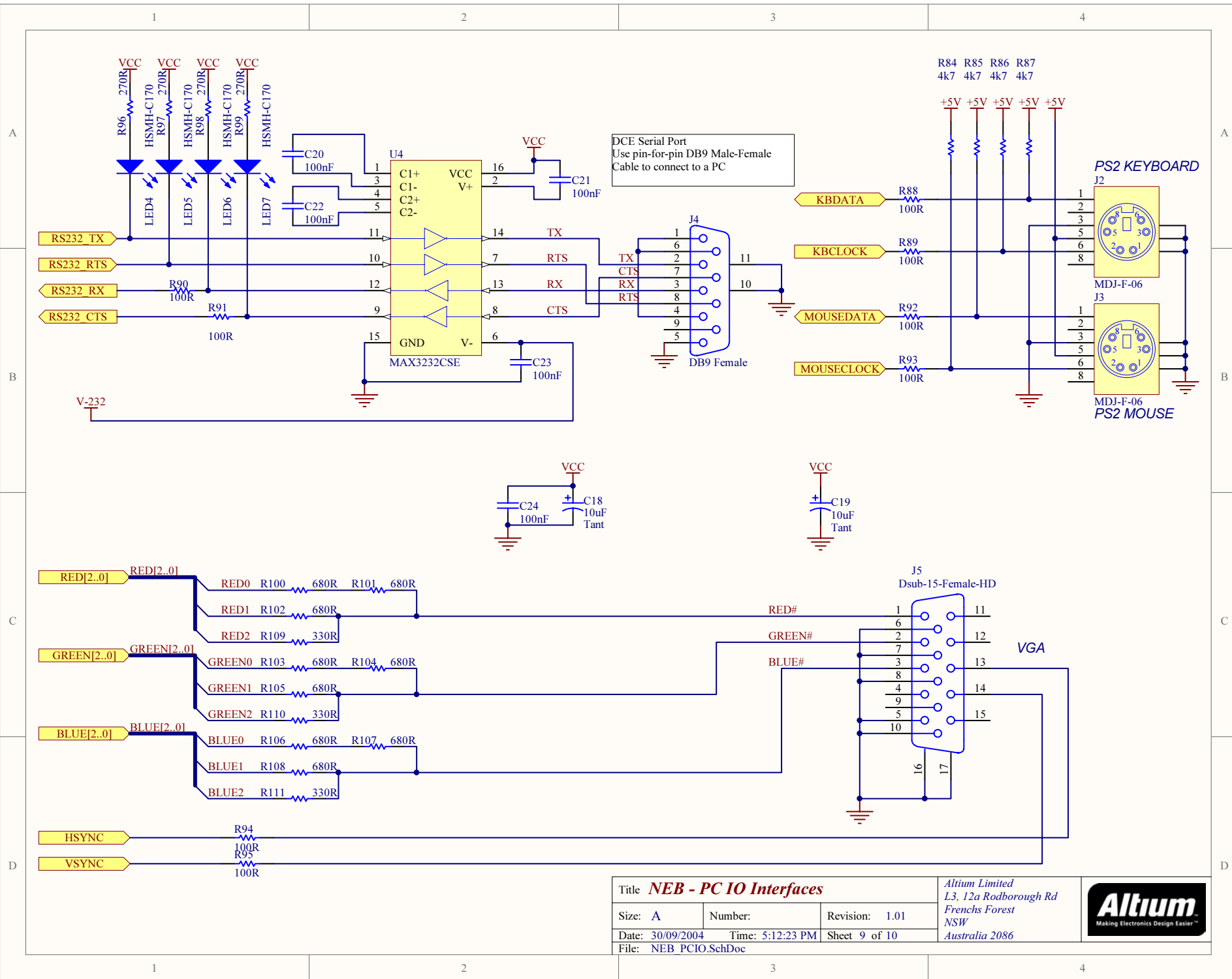
**GROUNDING POINTS**



Title <b>NEB - Spartan Power Supply</b>		Altium Limited L3, 12a Rodborough Rd Frenchs Forest NSW Australia 2086	
Size: A	Number:	Revision: 1.01	
Date: 30/09/2004	Time: 5:13:11 PM	Sheet 7 of 10	
File: NEB PSU SPARTAN.SCHDOC			



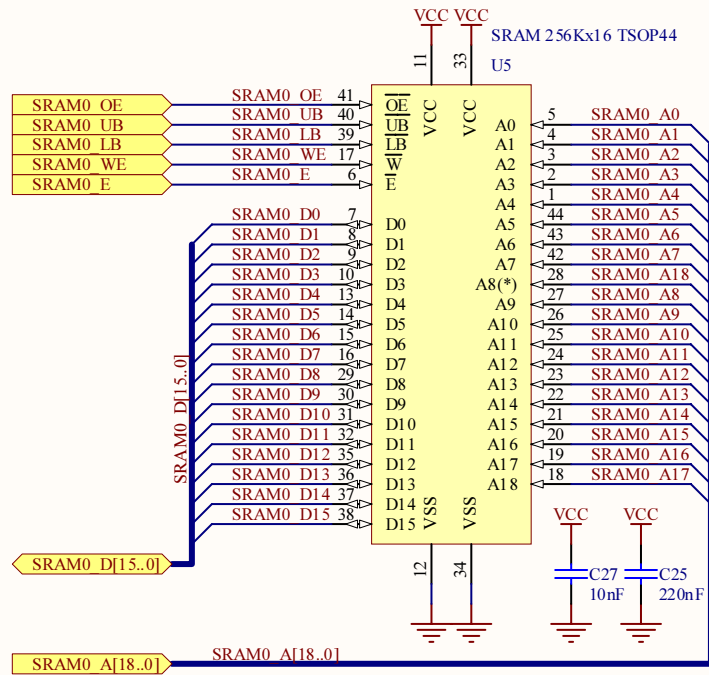




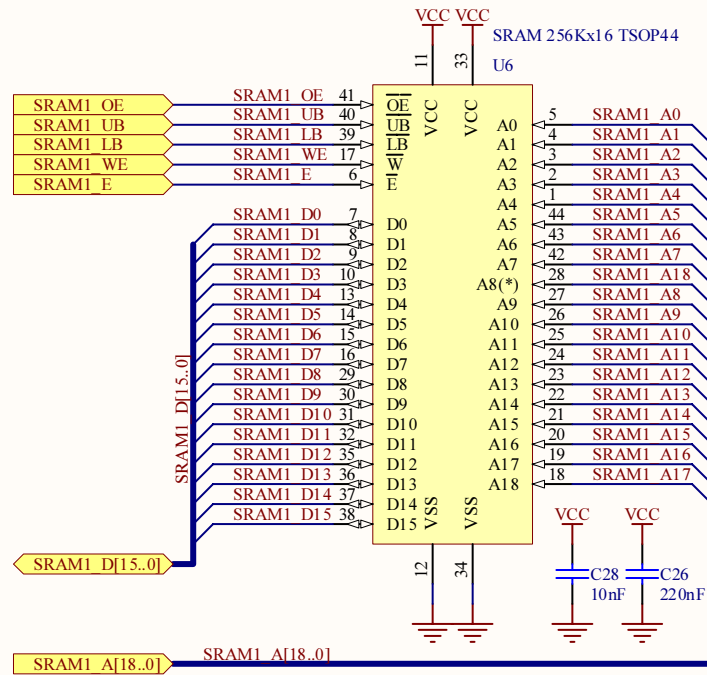
Title <b>NEB - PC IO Interfaces</b>		
Size: A	Number:	Revision: 1.01
Date: 30/09/2004	Time: 5:12:23 PM	Sheet 9 of 10
File: NEB_PCIO.SchDoc		

Altium Limited  
L3, 12a Rodborough Rd  
Frenchs Forest  
NSW  
Australia 2086





(NC on 256kx8)



(NC on 256kx8)

Title <b>NEB - SRAM</b>		Altium Limited L3, 12a Rodborough Rd Frenchs Forest NSW Australia 2086	
Size: A	Number:	Revision: 1.01	
Date: 30/09/2004	Time: 5:13:29 PM	Sheet 10 of 10	
File: NEB_SRAM.SchDoc			

